



XV4KDVR USER MANUAL



For more information
on the Xview range go
to our website

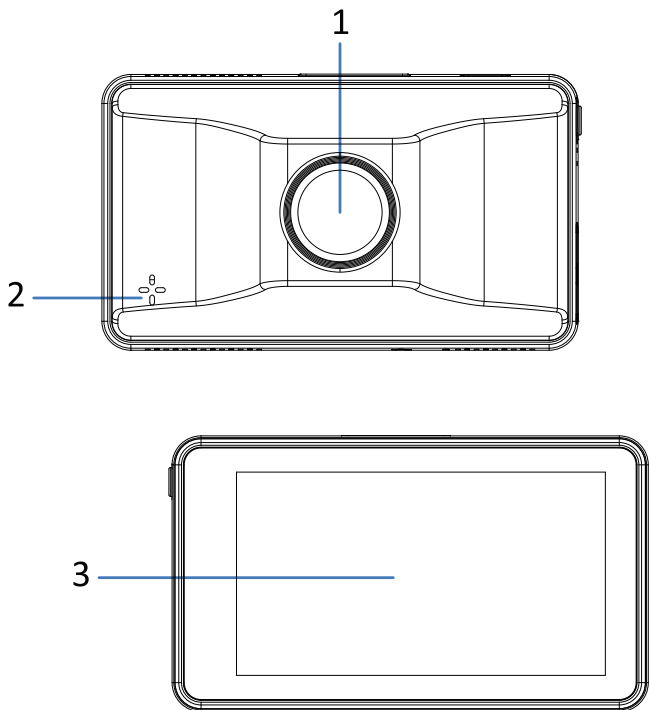
xviewdrive.com.au



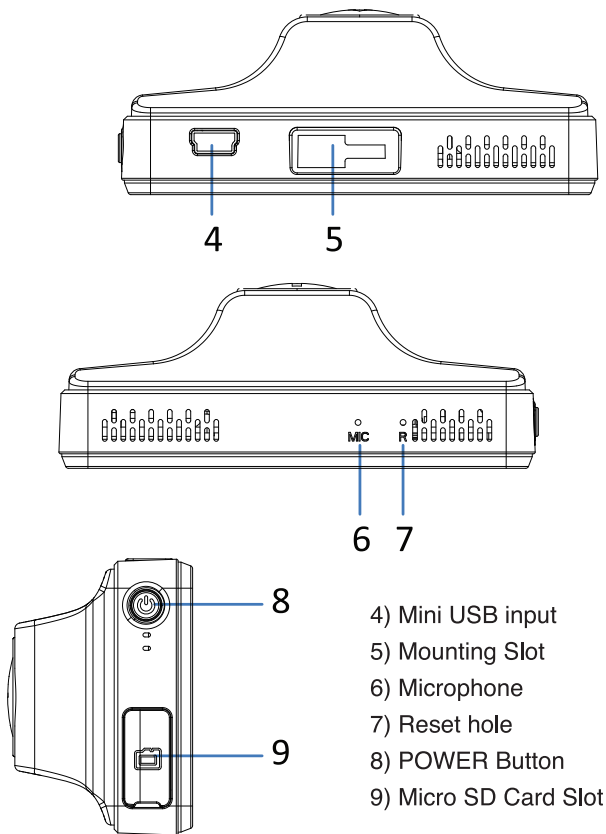
INCLUSIONS:

Dash Cam, GPS Power Cable, Adhesive Surface Mount,
12/24V In-Car Charger, 16GB Micro SD Card

1. PRODUCT PICTURE AND FUNCTIONS



- 1) Lens
- 2) Speaker
- 3) Touch Screen



NOTE: Car camera supports up to 128GB Micro SD card. Class 10 Micro SD card is required.

2. INSTALLATION

2.1 Insert Micro SD card into the Dash Cam

2.2 Attach the mounting bracket to the Dash Cam by sliding the mount into the mounting slot of the Dash Cam

2.3 Check position of the Dash Cam before fixing the camera on the inside surface of the windshield. The area near the rear-view mirror is suggested. (See installation diagram). Make sure the windscreen is clean and free of debris. Use an Alcohol wipe to enhance adhesion. Remove the tape off the adhesive mount and adhere to the windshield holding in position for 60 seconds

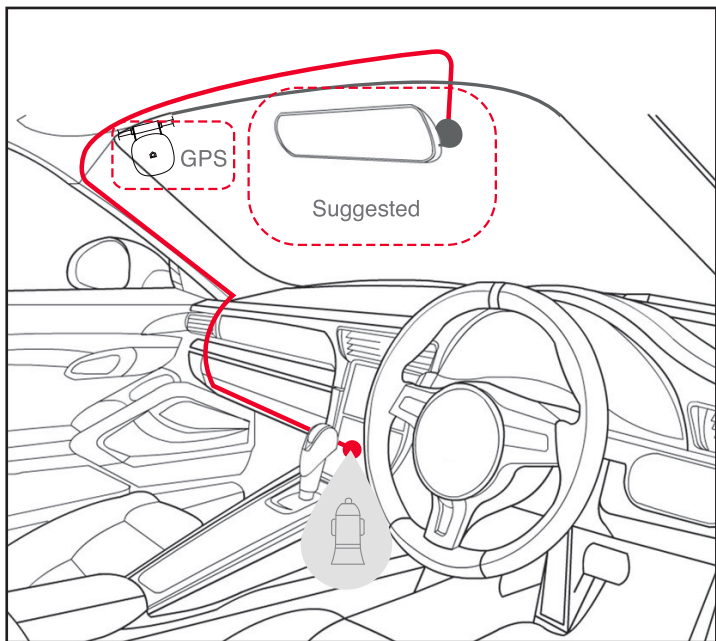
2.4 Insert the Mini USB end of the GPS antenna cable into the Mini USB input of the Dash Cam. Remove backing off 3M tape of GPS cable and fix to window. For a better GPS signal, make sure the 3M sticker faces toward the sky and is not blocked or obstructed. Connect Mini USB of the 12/24V In-car charger into the GPS antenna. Connect charging socket end of the 12/24V In-car charger into 12/24V power socket of vehicle.

2.5 Turn the vehicles ignition to accessories and the Dash Cam will power ON and start recording automatically. An audible tone will heard once powered.

2.6 The recording indicator light will start flashing RED on the screen and a timer will appear when recording has started.

2.7 For the Dash Cam to work it must receive power from the 12/24V In-car charger. Once power is removed or turned off the Dash Cam will save the current file and turn off.


3. INSTALLATION DIAGRAM



NOTE: *The Dash Cam GPS power cable must be used to retain date and time settings.*

4. SCREEN FUNCTIONALITY

4.1 When connected to power the Dash Cam will automatically turn on. Once power is disconnected it will automatically turn off.

4.2 To turn the Dash Cam on or off manually, press and hold the  power button.

4.3 The indicator light on the side of the Dash Cam illuminates blue when charging. Once fully charged it will turn off.

4.4 The indicator light on the side of the Dash Cam flashes red when its recording

4.5 A red circle also flashes on the screen of the Dash Cam when its recording

4.6 When you touch the screen it reveals 5 icons on the bottom of the screen.

4.7 Touch the **[VIDEO]** icon to stop and start recording

4.8 Touch the **[CAMERA]** icon to take a picture, a click sound alerts a picture has been taken.

4.9 When in recording mode touch the **[LOCK]** icon to lock and unlock current recording file

4.10 When not in recording mode touch the **[PLAYBACK]** icon to play or view video and picture files

4.11 When not in recording mode touch the **[SETTINGS]** icon to display Dash Cam settings

5. DASH CAM SETTINGS MENU

Settings can only be accessed when not in recording mode

5.1 Video Resolution

5.2 Photo Resolution

5.3 Loop recording

5.4 Exposure

5.5 WiFi

5.6 Parking Monitor

5.7 G Sensor

5.8 Screen Save

5.9 Language

5.10 Beep Sound

5.11 Record Audio

5.12 Frequency

5.13 GPS

5.14 Speed Unit

5.15 Date/Time

5.16 Format

5.17 Default Setting

5.18 Version

6. VIDEO AND PHOTO PLAYBACK

Playback Mode:

Touch the playback symbol to display all video or photos taken. Use the **[UP]** and **[DOWN]** arrows to scroll through files. Touch the file thumbnail to view or playback. Icons will appear at the bottom of the screen to return to previous screen, previous file, next file, delete or play.

Protected files:

The thumbnail will have a red warning triangle icon. When you select the file for playback a key symbol will appear at the top of the screen.

7. ACCESSING FILES VIA YOUR COMPUTER

To access video and images from your Dash Cam, connect the USB cable to your computer. Two options will appear on the Dash Cam screen. Select Mass storage and a folder called "Untitled" will appear on your computer. Select PC camera to use Dash Cam as a web cam. Or alternatively remove the SD card from the Dash Cam and the SD card into a card reader to connect to your computer.

Inside this folder will be 3 folders:

Movie folder: recorded movie files (MP4)

Photo folder: picture files (JPG)

EMR folder: locked/Gsensor movie files (MP4)

8. RESETTNG THE DASH CAM

Insert a pin into the reset hole on the bottom the Dash Cam and press in with the Dash Cam turned on.

9. CONNECTING TO WIFI & USING THE APP

Recording video, taking photos, live streaming, GPS data, download files and changing Dash Cam settings can all be done via WiFi and downloading the 'XV4K' Xview Dash Cam APP. For iPhones search the APP Store or for Android devices via Google Play.



9.1 To pair the Dash Cam with your smartphone, go into the settings menu on your Dash Cam and turn WiFi on.

9.2 The Dash Cam will display the SSID name and password to connect to your phone.

9.3 Then go to your WiFi settings on your smartphone, turn WiFi on and it should display all devices for connection.

9.4 Select your Dash Cam model SSID name.

9.5 Enter the password 12345678

9.6 Once successfully paired to your DASH CAM the display will say WiFi Connected.

9.7 Then launch the "XV4K' Xview Dash Cam APP on your smartphone to pair with the Dash CAM. On the home screen select the wording "WIFI CAMERA" for Android devices. Select the wording "WIFI CONNECT DEVICE" for Apple iOS devices. Once paired you will have access functions and settings of the Dash Cam.

9.8 Once connection is successful, the indicator light on the side of your Dash Cam turns red.

10. USING GPS FUNCTION

To use the GPS function, the GPS antenna module must be plugged into the Dash Cam. The GPS functionality will not be available with the Dash Cam if removed.

Notes: *For a better GPS signal ,make sure the 3M sticker faces toward the sky and is not blocked or obstructed.*

10.1 For GPS data go into the settings menu on your Dash Cam and turn GPS on.

10.2 This function is only valid when the external GPS module is connected. After the external GPS is connected, this function can be turned on to record, store and output data of the driving speed, time, mileage and other state information of the vehicle.

10.3 When activated a GPS symbol will appear on screen and flash, until it receives a signal then it will turn green

10.4 To view the GPS map using the mobile phone APP, you need to download the video file in the Dash Camera to the mobile phone for normal viewing and turn off WiFi.

10.5 You can also download a free GPS player for your computer to display data. Search for your model and download the GPSPlayer viewer from our website.

11. INTERNAL BATTERY

The internal battery is small and only designed to provide enough power to securely save the last recording when power is disconnected and to retain date and time settings. The Dash Cam is designed to be connected to power at all times when operating. If the Dash Cam is not used for an extended period of time the battery may become completely discharged which will cause the time and date on the device to default to the factory settings. If this occurs please completely recharge the Dash Cam before use.

12. FORMATTING THE SD CARD

It is advisable to format the card weekly if you have the Gravity Sensing (Gsensor) setting turned on, or create locked files. This will fill up the card causing it to stop recording any footage.

13. LOCKING VIDEO FOOTAGE

Whilst recording, press the lock icon on the Dash Cam screen to activate the lock footage function. A key icon will display on the screen. This will lock the file currently being recorded to prevent it being recorded over. Press lock icon again to unlock footage.

14. SPECIFICATION

Display: 3.0" High-resolution LCD touch screen

Video information: 4K 3840*2160 @30fps, *.MP4

Photo information: 3648*2736, *.JPG.

Storage: Supports Micro SD Card Class10 up to 128GB

Viewing Angle: 160 degree

Functions: WiFi 2.4GHz, 802.11b/g/n, GPS, G-Sensor, Loop recording & Parking Monitor

Audio: Built-in Microphone and speaker

OSD Language: Multiple

Input / Output: Mini USB (Power)

Car charger: DC input: 12 or 24V, output: 5V

15. USER SUPPORT

If you need assistance setting up or have an issue regarding the use of your Xview product contact Xview Customer Support. Australian Agent:

TEL: 03 – 8587 8898 FAX: 03 – 8587 8866

Mon-Fri 9am – 5pm AEST

For more information, manuals, software or other products in the Xview range please go to our website:

Xviewdrive.com.au

This manual and product is considered correct at time of printing but is subject to change. For latest manuals and updates refer to the website.

Please retain this user guide for future reference.

16. TROUBLE SHOOTING

Problem: The adhesive mount will not stay attached to the windscreen

Solution: • Ensure windscreen is clean and free of debris, use glass cleaner or an alcohol swab to clean.

- Ensure that the plastic film has been removed from the adhesive pad.
- When mounting hold the bracket firmly to the windscreen for at least 60 seconds.

Problem: The Dash Cam will not power on

Solution: • Vehicle Accessory Socket - Check the vehicle accessory socket has power, simply plug another device and see if it powers up (or use a test light / multimeter to check for power).

- Dash Cam Power Cable - Check the fuse in the tip of the accessory plug, it may need to be replaced.
- Dash Cam - Connect the Dash Cam to a computer via the USB cable to see if it powers up.

Problem: The Dash Cam shuts down when connected to the vehicle and the battery will not charge

Solution: • The battery will only charge while the vehicle is switched on.

- If the vehicle is not frequently used the Dash Cam battery will fully discharge and may need to be connected to a domestic USB charger (such as a smartphone charger) for approximately 3 hours to fully charge.

Problem: The Dash Cam battery only lasts for a few minutes when power is disconnected

Solution: • This is normal. Batteries in Dash Cams only hold enough power to safely shut down the Dash Cam, securely save the last file when power is disconnected and retain settings.

- The Dash Cam is designed to be connected to power at all times while being used.

Problem: The time & date settings reset every time the Dash Cam is powered on

Solution: • The time and date settings will reset when the Dash Cam's battery is flat. Make sure the Dash Cam's battery is fully charged in order to retain the time and date settings.

Problem: The Dash Cam settings menu cannot be accessed

Solution: • While the Dash Cam is recording the Settings Menu can not be accessed. Stop recording before pressing the Settings Menu button.

Problem: The Dash Cam screen turns off after a few minutes when the Dash Cam is powered on

Solution: • Dash Cam's have an automatic screen saver feature. This helps reduce heat in the Dash Cam and also makes the Dash Cam less distracting to the driver.

• If you prefer the screen remain on, this can be changed in the Dash Cam settings under "Screen Save".

Problem: The Dash Cam feels warm when it is operating

Solution: • It is normal for the Dash Cam to feel warm to the touch during typical use, especially when it is recording HD video.

Problem: The Dash Cam stops automatically while recording

Solution: • Check to see whether there is enough space on the Micro SD card.

• Ensure correct Micro SD card is being used, 8-128Gb Class 10 or above Micro SDHC/XC is recommended. Other types of Micro SD cards may not be suitable for use in Dash Cam's.

• If the correct Micro SD Card is being used, format the Micro SD Card in a computer.

• Micro SD cards have a limited lifespan and become corrupt after a period of time. This is due to the continuous loop recording function. If this has occurred, you will need to replace your Micro SD Card.

Problem: The Micro SD card is not recognised by the Dash Cam

Solution: • Format the Micro SD card before using. Be sure the Micro SD card is compatible with the device, see “Stops automatically while recording” fault.

Problem: The Dash Cam will not record video or take pictures

Solution: • Check to see whether there is enough space on the Micro SD card. If not, the Micro SD card will need to be formatted.

Problem: Video files can not be played on the PC

Solution: • The video files from the Dash Cam are in .MP4 format and may not be compatible with your PC if suitable playback software is not installed.

Problem: My videos are blurry, dirty or discoloured

Solution: • Check to see if there are any finger prints or dirt present on the camera lens. If needed, clean with a soft dry cloth before recording.

• Also be sure to have removed the transparent lens cover during installation.

Problem: The Dash Cam is frozen or not responding

Solution: • Reset the unit by inserting a pin into the reset hole, push and hold the reset button for a few seconds and try again.

• Format Micro SD Card in a computer.

Problem: Unresolved issues

Solution: • Reset the unit by inserting a pin into the reset hole, push and hold the reset button for a few seconds and try again.

• Format Micro SD Card in a computer.

• Contact Xview Technical Department

17. SAFETY INFORMATION & WARNINGS

Do not use the Dash Cam in damp working conditions; the Dash Cam is not waterproof.

Do not try opening the shell or trying to repair the Dash Cam by yourself. If the accessories for the Dash Cam have any problems, please take it to an authorised repair agent for repair.

Do not use a chemical substance, cleaning solvent or cleaner to clean the Dash Cam, please use a moist soft cloth if you would like to clean the Dash Cam.

Do not use the Dash Cam under conditions where dust is present.

Use a moist soft cloth to clean the lens before use, to avoid poor video footage.

Xview is NOT responsible for the loss of any recorded video during operation. Although designed to withstand high impact of car collision.

Xview does NOT guarantee recording of accidents where the impact may cause the device to be damaged.