

THINKWARETM DASH CAM

H50

User Manual



This Dashboard Camera (dash cam) is a specialized onboard device that continuously records video while the vehicle is in use.

Some features may not be available depending on installation, driving conditions, and vehicle type. The video quality might vary for each device as a result of installed firmware.

The device DOES NOT guarantee video recording of all accidents as built-in impact sensor may not be activated due to combination of user settings and the level of impact during the collision.

Contents

	Before Using THINKWARE DASH CAM™ H50	2
	FCC Statement	2
	Caution	3
01	Getting Started	
	1-1. In the Package	4
	1-2. Optional Accessories	4
	1-3. Product Overview	5
	1-4. Inserting a Memory Card	6
	1-5. Vehicle Installation	7
02	Basic Operations	
	2-1. Turning the Device Power On/Off	9
	2-2. Date/Time Settings	10
	2-3. Connecting External GPS Receiver(Optional Accessory)	12
	2-4. Recorded Files	13
	2-5. Recording Videos While Driving	14
	2-6. Recording Videos While Parked (Optional Accessory)	15
	2-7. Manual Recording	16
	2-8. Voice Recording	16
	2-9. Formatting MicroSD Card	17
	2-10. Upgrading Firmware	17
03	PC Application	
	3-1. Thinkware Dash Cam PC Viewer	18
	3-2. PC ViewerSetting	22
04	Device Information	
	4-1. Specifications	23

Before Using THINKWARE DASH CAM™ H50

- ▶ Under the copyright laws, this manual may not be copied, in whole or in part, without the written consent of THINKWARE.
- ▶ Every effort has been made to ensure this Guide's accuracy. However, we cannot guarantee the accuracy of the contents in this document as there may be technical errors, omissions, and/or future changes.
- ▶ THINKWARE reserves the right to change or modify the product and the content of this manual at any time without prior notice for product improvements.
- ▶ Images contained in this user guide are illustrations for instructional purposes only and may differ from the actual product.
- ▶ Users do not reserve the right to use the product for purposes other than as specified in this user guide. According to the Personal Information Protection Act and other related regulations, the user/owner may be held liable if the video and/or conversation recorded by the device are distributed without their consent. Thus, special attention should be paid in using this product.

- The MicroSD memory card should be tested for errors on a regular basis and as the memory card is a consumable item, it will need to be replaced periodically.
- THINKWARE shall NOT be responsible for any problems and/or damages that may occur from the use of disingenuous, modified, or unauthorized parts and accessories.
- The device and the recorded videos are intended for personal use and the recorded videos should be used for reference only.
- The device does NOT guarantee video recording of all accidents as built-in impact sensor may not be activated due to combination of user settings and the level of impact during the collision.

FCC Statement

This device complies with Part 15 of the FCC Rules. Operation is subject to the following two conditions: (1) this device may not cause harmful interference, and (2) this device must accept any interference received, including interference that may cause undesired operation.

This equipment has been tested and found to comply with the limits for a Class B digital device, pursuant to Part 15 of the FCC Rules. These limits are designed to provide reasonable protection against harmful interference in a residential installation. This equipment generates, uses and can radiate radio frequency energy and, if not installed and used in accordance with the instructions, may cause harmful interference to radio communications. However, there is no guarantee that interference will not occur in a particular installation. If this equipment does cause harmful interference to radio or television reception, which can be determined by turning the equipment off and on, the user is encouraged to try to correct the interference by one or more of the following measures:

- ▶ Reorient or relocate the receiving antenna.
- ▶ Increase the separation between the equipment and receiver.
- ▶ Connect the equipment into an outlet on a circuit different from that to which the receiver is connected.
- ▶ Consult the dealer or an experienced radio/TV technician for help.

FCC CAUTION: Any changes or modifications to the equipment not expressly approved by the party responsible for compliance could void your authority to operate the equipment.

This Class A digital apparatus complies with Canadian ICES-003.

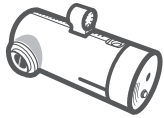
Caution

- ◆ Depending on the make and model of your car, the power may be constantly supplied to the dash cam even with the ignition turned off. This may result in vehicle battery discharge.
- ◆ This device is designed to record video while the vehicle is in operation. The quality of the video might be affected by weather conditions and the road environment such as day or night, presence of street lighting, entering/exiting tunnels, and the surrounding temperature.
- ◆ THINKWARE is NOT responsible for the loss of any recorded video during operation.
- ◆ Although designed to withstand high impact of car collision, THINKWARE does NOT guarantee recording of accidents where the impact may cause the device to be damaged.
- ◆ Keep the windshield clean for optimal video quality.
- ◆ If a foreign substance (e.g. fingerprints) is attached to the lens, it may reduce the quality of the recorded videos. Keep the lens clean all the time.
- ◆ The specified operating temperature of this product is -10°C to 60°C (14°F to 140°F) and storage temperature is -20°C to 70°C (-4°F to 158°F). Ensure that the device is kept within these temperature ranges; otherwise, the device may not function as designed and at extreme temperatures, permanent physical damage can result which is not covered by warranty.
- ◆ Avoid placing the device under direct sunlight.
- ◆ Avoid using the device in extreme conditions where the Product is exposed to high temperature and/or humidity.
- ◆ Only use genuine accessories and peripherals from THINKWARE or authorized THINKWARE dealer. THINKWARE does not warrant the safety and compatibility from use of peripherals from other stop after 'manufacturers'. Use genuine parts supplied by THINKWARE.
- ◆ Do not apply excessive force when pushing the buttons on the device.
- ◆ Do not clean the Product using chemical cleaner or solvents as it may damage plastic components. Use soft, clean, dry fabric to gently wipe the Product.
- ◆ Do not place or store the device where it can be accessible by children and pets.
- ◆ Do not disassemble the Product as it will void product warranty and may also damage the product.
- ◆ Handle with care. Drop, shock, and mishandling the Product may result in malfunction and/or damage to the device.
- ◆ Do not operate this device while driving.
- ◆ Install this device in a location where it has unobstructed view of the road but does not interfere with the driver's view. Check with your local and regional laws before mounting to windshield.
- ◆ The device and/or installation parts have moving parts and may shift in extreme road conditions such as unpaved road. Check frequently to ensure the device is positioned as instructed in this guide.
- ◆ Do not operate or handle power cable with wet hands.
- ◆ Do not use a damaged power cable.
- ◆ Keep the power cable away from heaters or other hot objects.
- ◆ Check that power cable with correct connector is used and the connections are secure and firmly in place.
- ◆ Do not pull, insert, or bend the power cable using excessive force.
- ◆ Do not place heavy objects on the device and the power cable.
- ◆ Do not modify or cut the power cable.
- ◆ THINKWARE does not guarantee that devices or peripherals not authorized by THINKWARE will be compatible with its Product.
- ◆ Do not attempt to insert foreign objects into the device or power cable.
- ◆ Do not spill or spray liquid into the device as it may cause malfunction, fire, or electric shock.
- ◆ This device is intended to be used inside the vehicle only.

1. Getting Started

This unit was tested with shielded cables on the peripheral devices. Shielded cables must be used with the unit to insure compliance.

1-1. In the Package



Main Dash Cam Unit



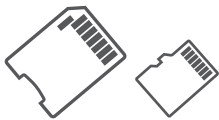
Mount with 3M tape
(1ea)



Car Charger



Adhesive Cable Holder
(5ea)



MicroSD memory card with adapter
(consumable)



USB MicroSD card
reader



Quick Start Guide/Warranty/
User Manual (stored in the MicroSD card)

1-2. Optional Accessories

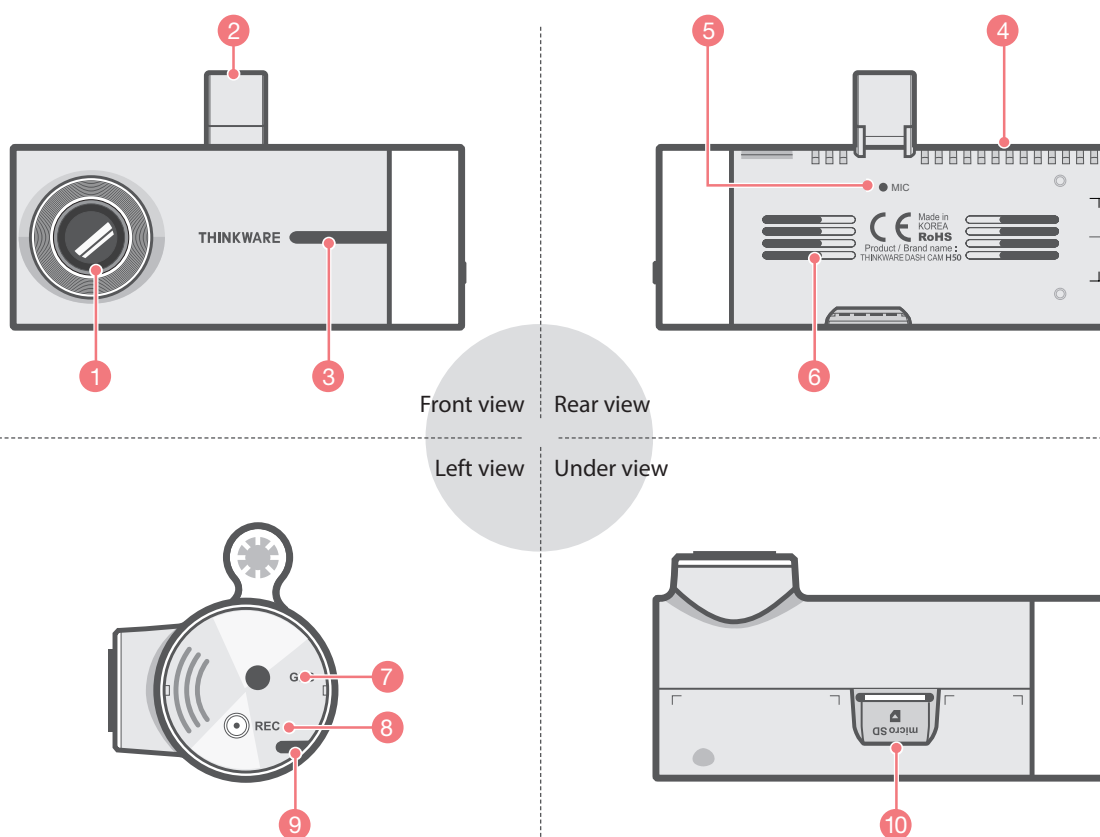


Hardwiring Cable



External GPS Receiver

1-3. Product Overview



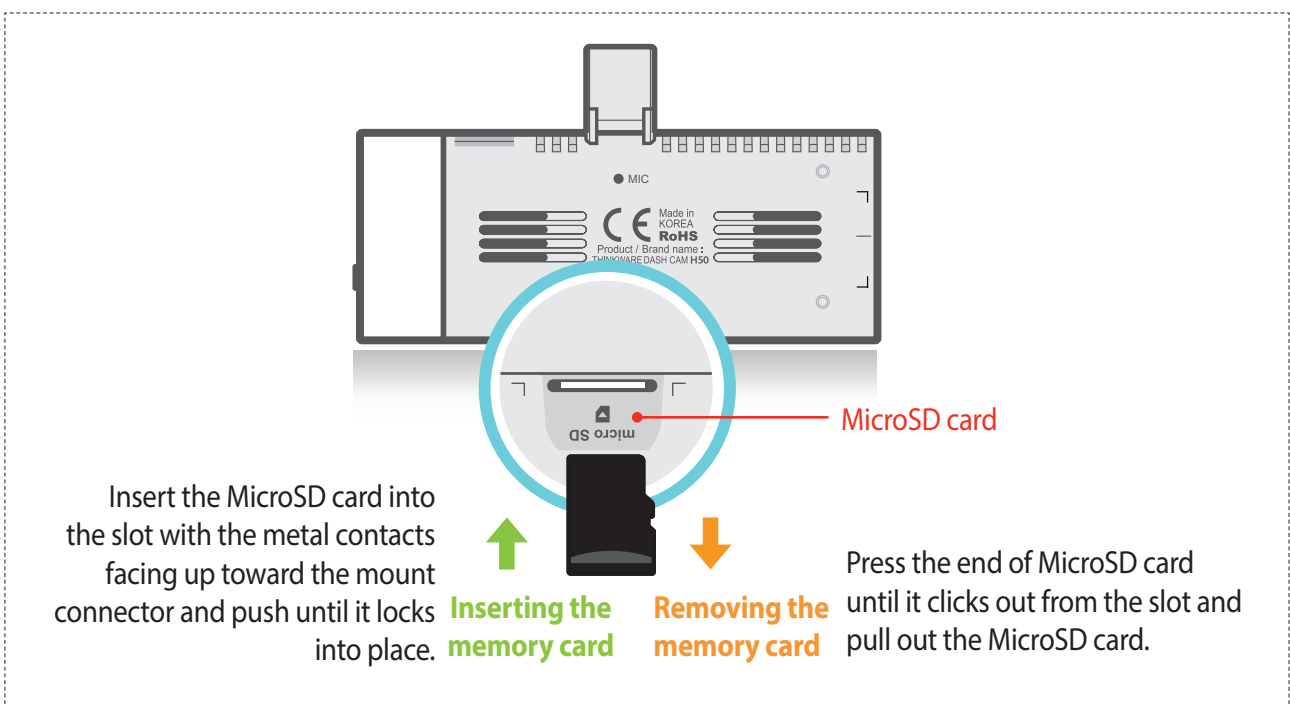
No.	Name	Description
1	Camera Lens	Front facing camera for video recording
2	Mount Connector	Connects to the windshield mount (refer to installation)
3	Security LED	Operation indicator lights that are used to visually indicate that the vehicle is equipped with a dash cam
4	DC-IN	Connects to power cable
5	Microphone	Records audio along with video
6	Speaker	Outputs voice guidance and alert/notification sounds
7	GPS Receiver Socket	Connects to external GPS receiver (optional accessory that requires separate purchase)
8	REC Button	Short Press : Starts manual recording Press and hold for 3 seconds : Audio recording ON/OFF Press and hold for 5 seconds : Memory card format
9	Operation Status LED	Indicates the device operating status
10	Memory Card Slot	Location for the MicroSD memory card

1-4. Inserting a Memory Card

1-4-1. About Memory Cards

- ▶ Class 10 MicroSD card must be used with a storage capacity of 8GB, 16GB, or 32GB. It is strongly recommended that minimum 8GB memory card is used for HD recording.
- ▶ The MicroSD card should be formatted every 2 weeks to maximize the lifetime of the memory card.

1-4-2. Installing a MicroSD Card



Do not apply excessive force on the MicroSD card or attempt to insert it in the wrong direction as it may cause damage to the MicroSD card and the card slot.

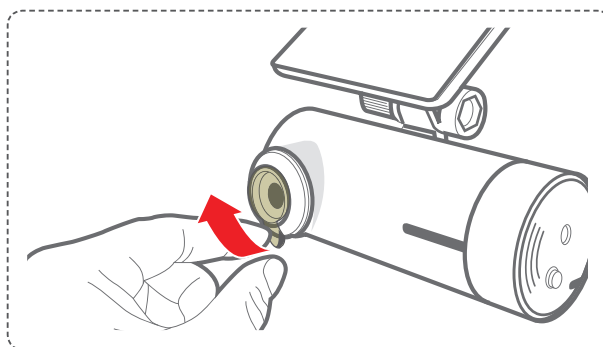
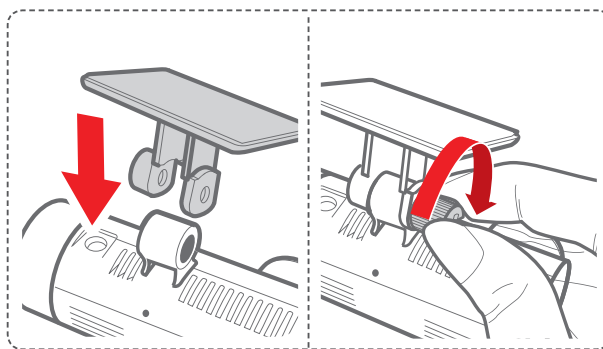
Cautions

- The MicroSD card should be tested for errors on a regular basis and as the memory card is a consumable item, it should be replaced periodically.
- THINKWARE shall NOT be responsible for any problems and/or damages that may occur from not using genuine or authorized parts and accessories. It is strongly recommended that THINKWARE memory cards are used to minimize memory card error.
- Ensure that the device is completely off before removing the MicroSD card to avoid damages to the memory card.
- To prevent loss of important data, frequently copy recorded videos from MicroSD card to another storage device such as personal computer for back up.

1-5. Vehicle Installation

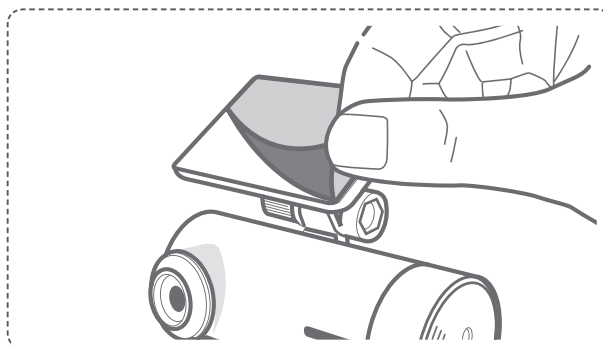
1-5-1. Connecting the Device and the Mount

- ① Insert the mounting connector of the dash cam between the connector brackets of the mount. Use the screw to attach the dash cam to the mount.
- ② Remove the protective film from the camera lens.



1-5-2. Installing the Device

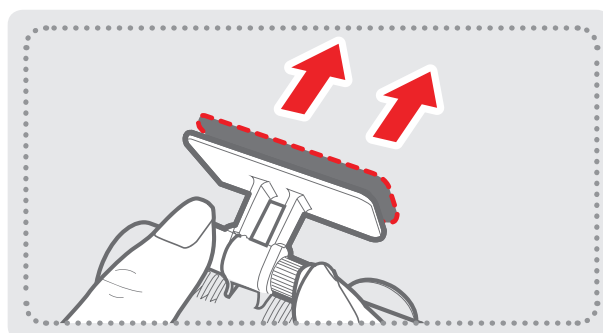
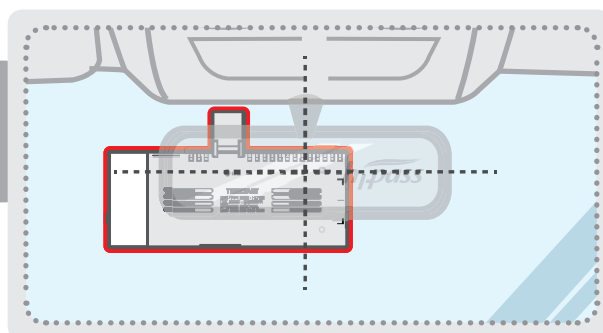
- ① Remove the protective cover from adhesive mount and attach mount on the windshield where it has unobstructed view of the road but does not interfere with the driver's view.
 - └ Select the location on the windshield where buttons are accessible and clean the area before securing the mount with attached 3M tape



TIP

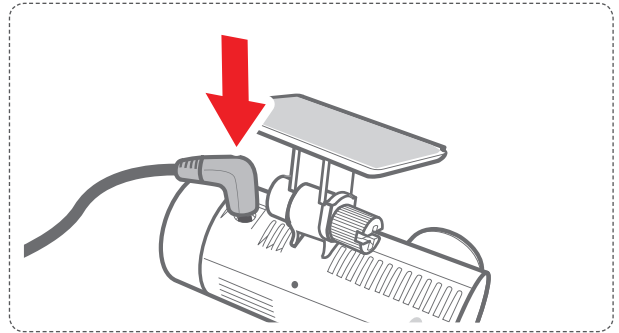
The camera is located on the left side of the main unit so install the dash cam on the right of center behind the rearview mirror.

- ② To ensure that the mount is safely secured, separate the device from the mount after installation. Press the mount towards the windshield to allow the adhesive on the mount to set before connecting the dash cam.
 - └ Attach the dash cam to the mount once the mount has been securely attached



1-5-3. Connecting to power

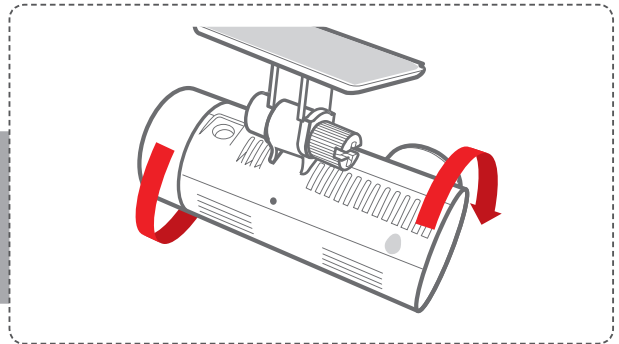
- ① Connect the power cable to DC-IN socket of the device.
- ② Plug the car charger adapter end of the power cable into a 12V DC vehicle power socket.
- ③ Arrange the wire by using the adhesive cable holders as shown below.



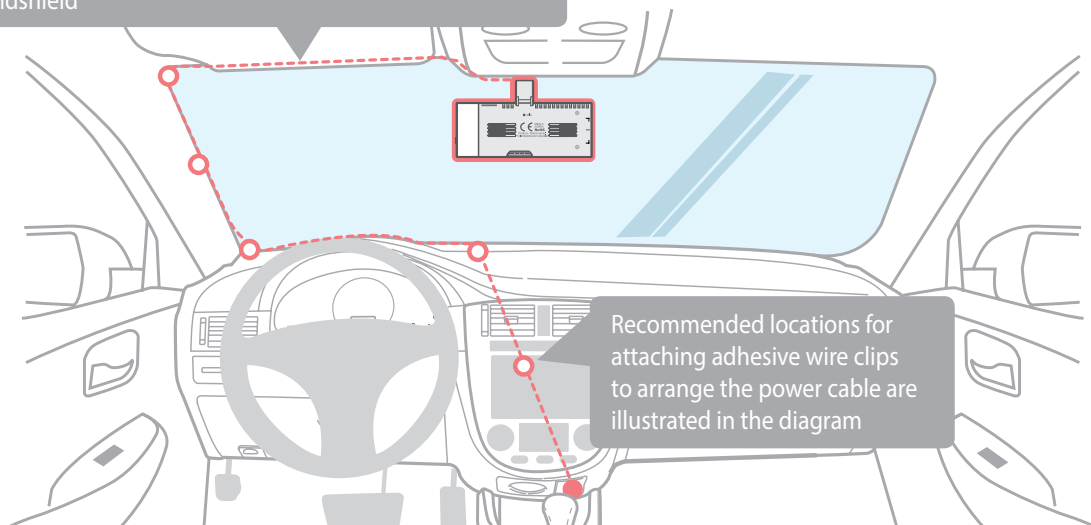
- ④ Adjust the camera so that the dash cam is facing forward and is level with the road.

TIP

After installation, run the dash cam to record videos and check the videos using Thinkware Dash Cam Viewer to verify camera position. Adjust the camera angle if necessary.



Hide the power cable by placing (tucking) it in the space between the vehicle ceiling and headliner at the top of the windshield



Recommended locations for attaching adhesive wire clips to arrange the power cable are illustrated in the diagram

For more information on the power cable routing instruction, please visit Thinkware homepage. (www.thinkware.com)

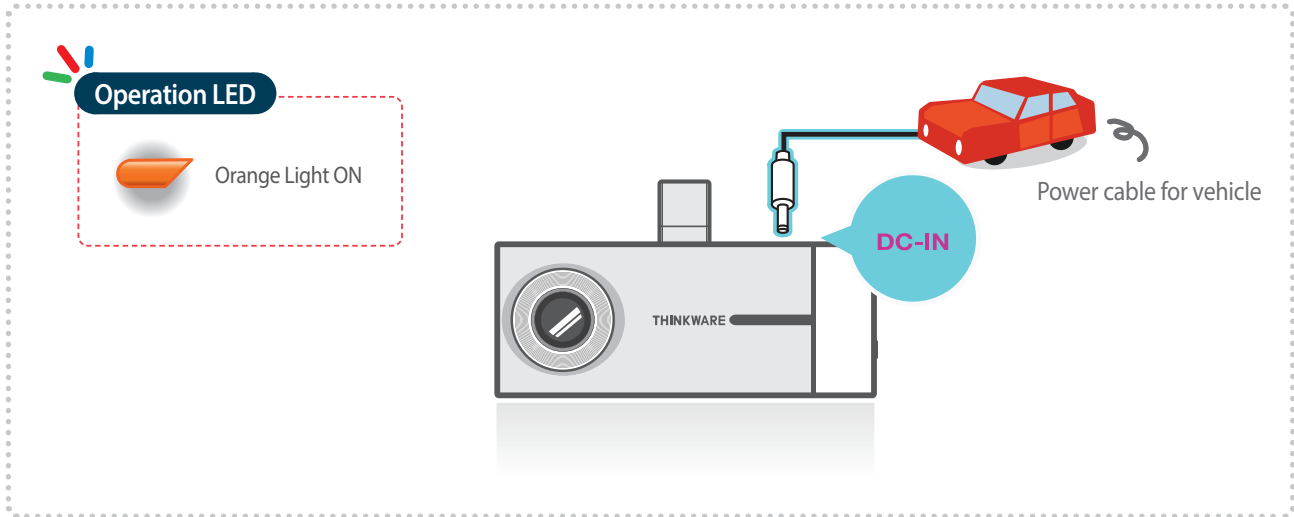
Preventing Vehicle Battery Discharge

- Depending on the make and model of your car, the power may be supplied to the dash cam even with the ignition turned off. This may result in vehicle battery discharge.
- Some vehicles with multiple power sockets might be equipped with at least 1 outlet that does not shut off the power with the ignition. Test each power outlet to ensure you connect to an outlet that shuts off with vehicle ignition.

2. Basic Operations

2-1. Turning the Device Power On/Off

► Once connected to the vehicle, the device will automatically turn on and off with vehicle ignition.



2-2. Date/Time Settings

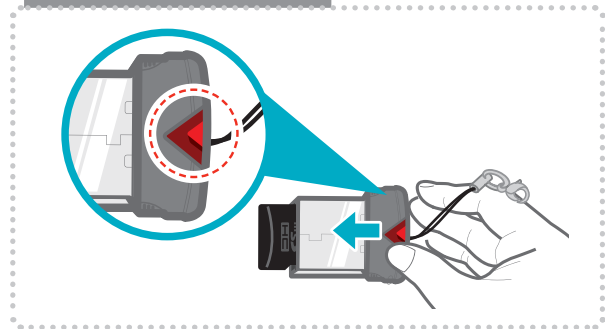
It is strongly recommended that the correct date/time and time zone are set before using the device



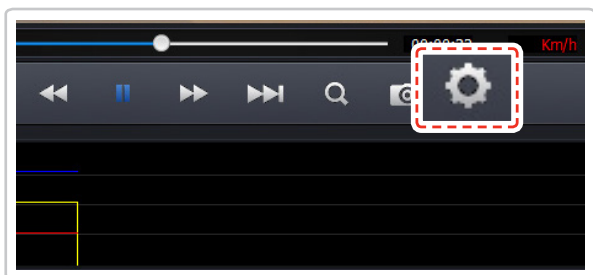
- ① Insert the MicroSD card into the USB MicroSD card reader (included in the package) with front side facing up as shown in the illustration.
- ② Connect the USB MicroSD card reader to the PC.


Ensure that the USB card reader is correctly oriented when inserting it into the USB drive

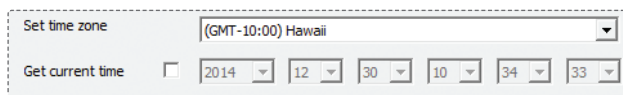
Removing MicroSD card



- ③ Double-click the **Dash Cam Viewer(H50).exe** file saved in the MicroSD card and install the program.
- ④ Double-click the **Thinkware Dash Cam Viewer icon** after installation completes. The Viewer application screen will then appear.
- ⑤ Leave the MicroSD card in the USB port of the PC. If another MicroSD card is to be used for recording videos in the dash cam, insert this memory card into the USB port of the PC.



- ⑥ Select Setting () icon from the PC Viewer.
- ⑦ Select **Dash Cam Setting > Set time zone and Get current time** of your location.

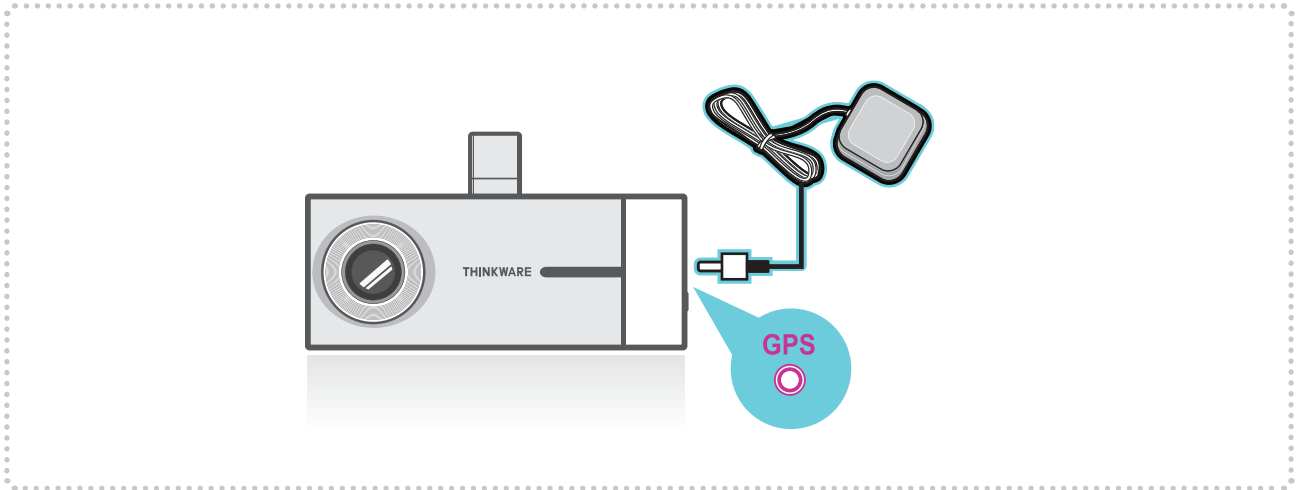


Once the correct time has been set, insert the MicroSD card immediately back in the dashcam and start the device to apply the changed settings.

- ⑧ User configured settings will be stored in the MicroSD card. The settings will be automatically applied to the dash cam when the MicroSD card is inserted into the dash cam and powered on.

2-3. Connecting External GPS Receiver(Optional Accessory)

- External GPS Receiver is available as an optional accessory that can be purchased from Thinkware authorized dealers.
- External GPS Receiver enables recording of vehicle locations in the video file for driving route tracking.
 - └ Connect external GPS Receiver to the GPS port of the dash cam.



Cautions

- THINKWARE shall NOT be responsible for any problems and/or damages that may occur from not using genuine or authorized parts and accessories. It is strongly recommended that THINKWARE external GPS receiver is used.
- Turn the device off completely before connecting the GPS receiver to avoid damages.

2-4. Recorded Files

▶ H50 uses proprietary file format technology for optimal performance and reliability and therefore, **THINKWARE AVI Converter or Thinkware PC Viewer MUST be used for video playback.**

- └ The videos cannot be viewed using smartphone and/or tablets due to unrecognized file format
- └ The available disk space for the memory card will NOT be correctly displayed when viewed using Windows Explorer. This is due to FormatFree™ Technology and NOT a memory card problem.

※ FormatFree™ Technology

FormatFree™ is a Thinkware proprietary technology that had been developed to eliminate disk fragmentation when writing/overwriting recorded video files on the memory card. This allows the dash cam to increase performance and reliability and most importantly, it eliminates the need to periodically format the memory card. This technology uses proprietary file type which can only be viewed using dedicated THINKWARE AVI Converter or Thinkware PC Viewer. Both THINKWARE AVI Converter or Thinkware PC Viewer are available for download at Thinkware homepage (www.thinkware.com) and also included in the MicroSD card in the package.

2-4-1. THINKWARE AVI Converter for H50

① Insert the MicroSD card into the USB MicroSD card reader (included in the package) and launch the THINKWARE AVI Converter.exe.

② Select videos using THINKWARE AVI Converter the videos to AVI file and download to the PC. (File format converting/downloading may take long time depending on the number of files selected for conversion)

Year Month Day Hour Minute Second Front view recording

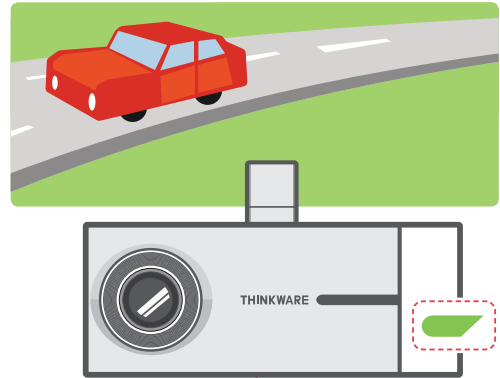
Cautions

- Do not use the MicroSD card as an external storage device.
- Do not tamper with the system files within the in the MicroSD card. This may result in unexpected behavior during operation.

2-5. Recording Videos While Driving

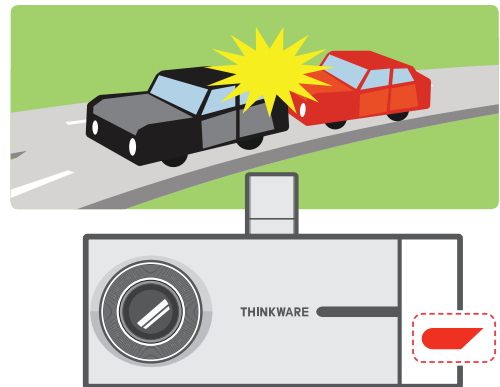
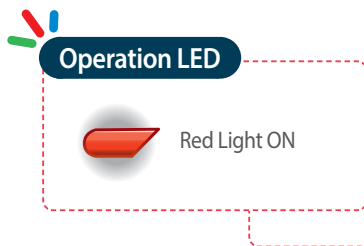
2-5-1. Continuous Recording Mode

- ▶ Videos are recorded in 1 minute segments and saved at a designated location for continuous recording in the MicroSD card.



2-5-2. Incident Recording During Continuous Recording Mode

- ▶ When the dash cam detects an impact, it will immediately store the 10 seconds prior and after the impact. The 20-second impact recording is saved at a designated location for event recording in the MicroSD card.



2-6. Recording Videos While Parked (Optional Accessory)

This feature is available only when the dash cam has been hardwired directly to the vehicle battery. Separate purchase for the hardwiring cable accessory and professional installation is required.

2-6-1. Incident Recording

- ▶ When the dash cam detects an impact, it will immediately store the 10 seconds prior and after the impact.

The 20-second impact recording is saved at a designated location for event recording in the MicroSD card.



2-6-2. Motion Detection Recording

- ▶ When the dash cam detects motion while parked, it will immediately store the previous 10 seconds prior to the activation of motion detection start recording video for the next 10 seconds.

The 20-second motion detection recording is saved at a designated location for parking recording in the MicroSD card.



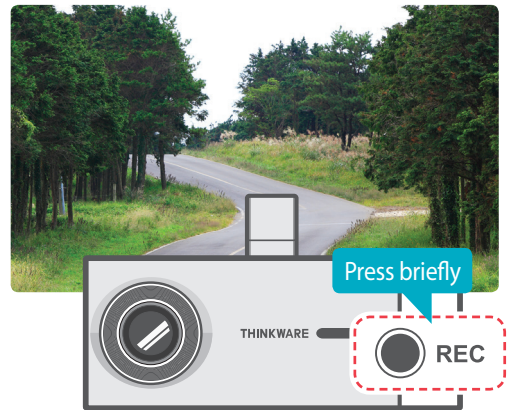
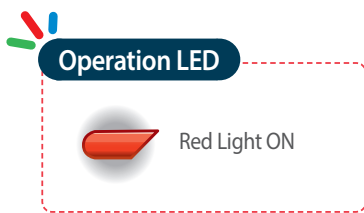
Cautions

- The device can record up to 1 minute for continuous impacts in the case of multiple collisions.

2-7. Manual Recording

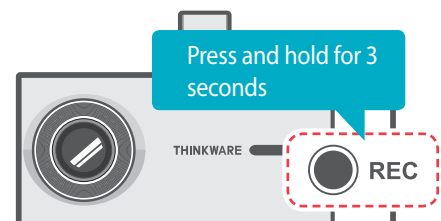
In addition to recording accidents, the dash cam allows the user to initiate manual recording mode to capture scenery and/or places while driving. This feature can also be used to save video as witness where the installed vehicle is not directly involved in an accident. Video files saved during manual recording mode are stored in a separate location on the memory card and will be protected from video overwriting in continuous recording mode.

- ▶ Briefly press the REC button to start recording. The device will record video for 1 minute (10 seconds before and 50 seconds after) as of the time when the button is pressed. The recorded video will be saved at a designated location for manual recording in the MicroSD card.



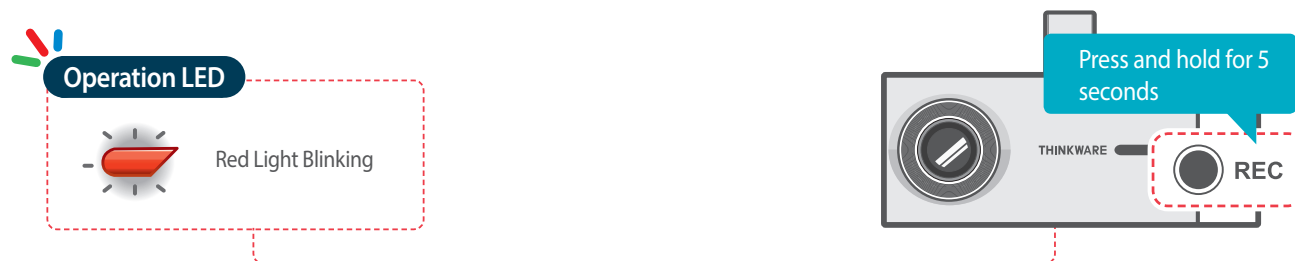
2-8. Voice Recording

- ▶ Press and hold the REC button for more than 3 seconds to turn the voice recording ON/OFF



2-9. Formatting MicroSD Card

- ▶ Press and hold REC button for 5 seconds to initiate memory card format



2-10. Upgrading Firmware

- ▶ The system will automatically be updated if the MicroSD card contains the firmware upgrade file.
 - ↳ The device restarts automatically after the upgrade has been completed.
- ▶ Make sure your device is always up to date with latest firmware. Please check back frequently at THINKWARE website (www.thinkware.com) for the latest firmware updates.



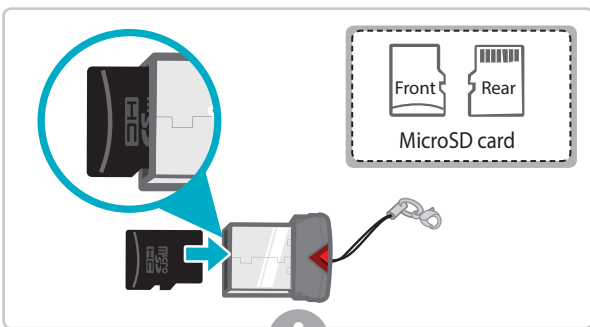
3. PC Viewer Software

3-1. Thinkware Dash Cam PC Viewer

Thinkware Dash Cam Viewer for Windows is provided which can be used to watch videos recorded with the dash cam. The video files recorded by the dash cam are in one minute segments and the PC viewer allows the user to watch these segments as a single continuous video.

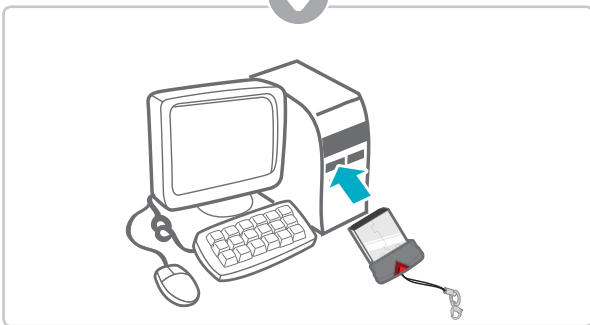
The setup file for the Thinkware Dash Cam PC Viewer is included in the MicroSD card within the package. Please check THINKWARE homepage(www.thinkware.com) for the latest Dash Cam PC Viewer application.

3-1-1. Thinkware Dash Cam PC Viewer Software

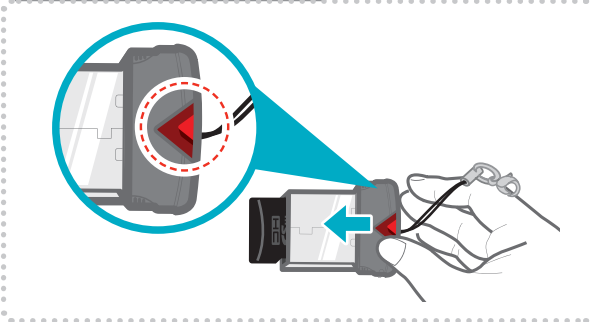


- ① Insert the MicroSD card into the USB MicroSD card reader (included in the package) with front side facing up as shown in the illustration.
- ② Connect the USB MicroSD card reader to the PC.

Ensure that the USB card reader is correctly oriented when inserting it into the USB drive



Removing MicroSD card



3-1-2. Installing Thinkware Dash Cam Viewer

Windows

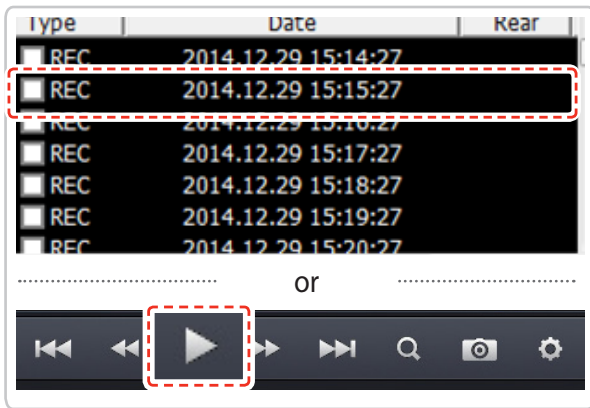


- ① Double-click the **Dash Cam Viewer(H50).exe** file saved in the MicroSD card to initiate program installation.
- ② Double-click the application icon once PC Viewer installation completes and the application main screen will then appear.

Cautions

- System requirements :
Windows XP (32 bit), Windows 7 (32/64 bit),
Windows 8.x (32/64 bit)

3-1-3. Select the Device Drive for H50

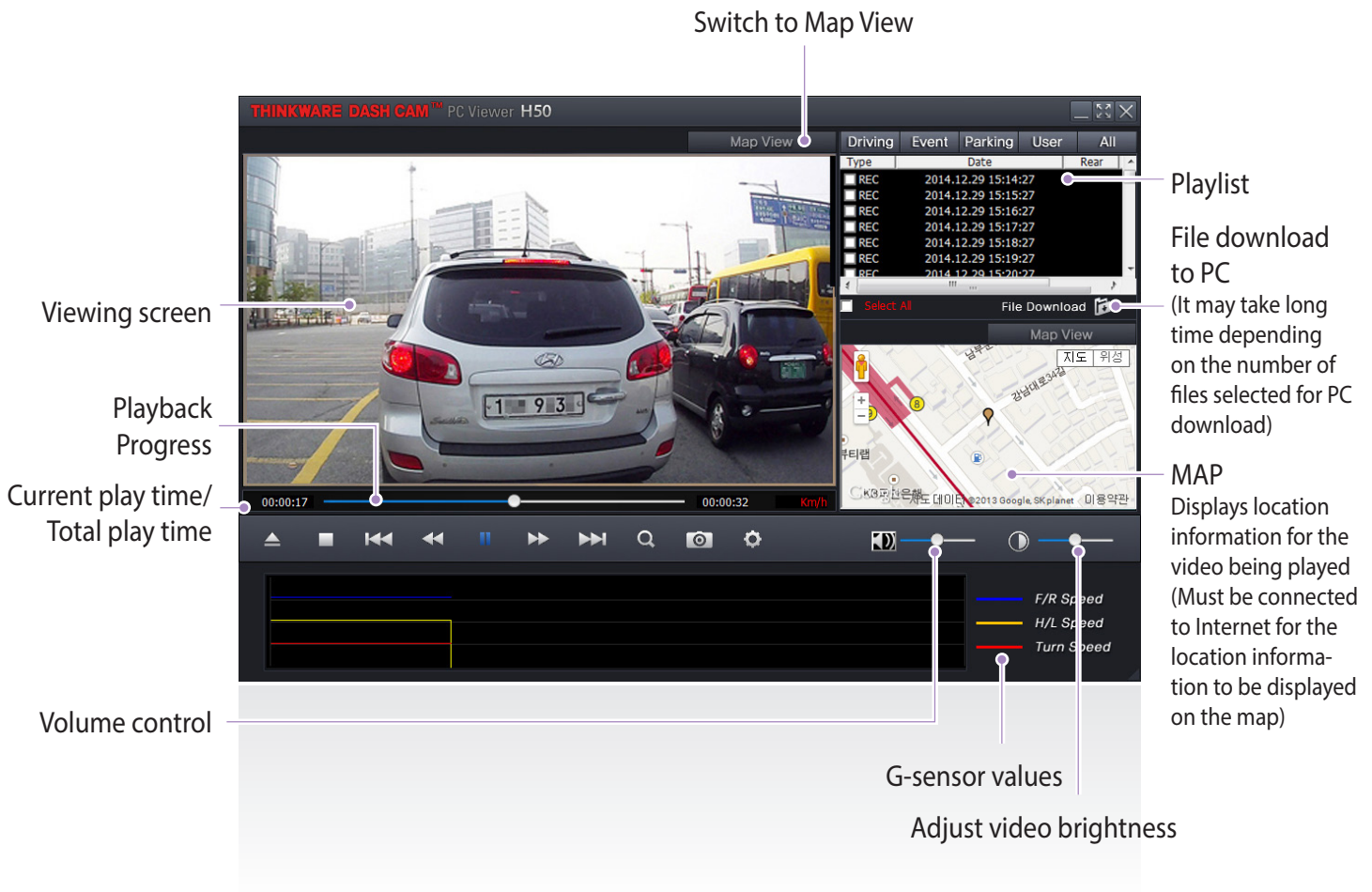


- ① Insert the MicroSD card with recorded videos into the USB port of the PC using USB MicroSD card reader.
- ② Select the video from the video file list and double click the file or select Play ▶ icon to start the video playback.

Cautions

- The MicroSD card will not be recognized by the software until it has been initialized in the dash cam.
- It is recommended that the user record at least one video clip on the MicroSD card with the dash cam unit before accessing the Thinkware Dash Cam PC Viewer.

3-1-4. Thinkware Dash Cam Viewer Overview



No.	Name	Description
	File Open	Retrieves video file list
	Stop	Stops the current video playback. Playback progress will be reset to the beginning of the video
	Previous	Play the previous video file from the list
	Rewind 10 seconds	Rewind 10 seconds from current video playback location (press and hold for continuous rewind by 10 seconds)
	Play / Pause	Video playback / pause
	Next	Play the next video file from the list
	Fast forward 10 seconds	Fast forward 10 seconds from current video playback location (press and hold for continuous fast forward by 10 seconds)
	Zoom	Zoom in to expand the video
	Still image capture	Capture still image from video playback
	Settings	Configure dash cam settings

3-2. PC ViewerSetting

3-2-1. Setting

Memory partition

Continuous Event

Parking Manual

The sum of all the storage spaces is 100%.

Settings

min max

Voice recording

Voice guidance

Impact Sensitivity

Motion Sensitivity

Insensitive Sensitive

Others

Language

Set time zone

Get current time 2014 12 30 10 34 33

Units of Speed Km/h Mile/h Daylight Saving

Vehicle voltage 12.2v/24.2v Security LED On Off

Version

PC Viewer	2.3.0	Model name	H50
		Firmware Ver.	0.0.3

Save

► Memory partition :

Sets how storage space on the memory card will be allotted for each recording mode

► Settings

└ Voice Recording :

Sets the voice recording on/off and recording volume

└ Voice Guidance :

Sets the voice guidance on/off and the volume

└ Impact Sensitivity :

Sets the impact sensitivity of the G-Sensor

└ Motion Sensitivity :

Sets the sensitivity of the motion detection sensor

► Others

└ Language : Sets the system language

└ Set time zone : Sets the time zone

└ Date/Time : Sets the date/time

└ Get current time : Retrieves the current time from the PC

└ Units of Speed : Sets the unit for the vehicle speed

└ Vehicle voltage : Sets the voltage level for the dash cam to automatically shut down in order to prevent the vehicle battery from draining

► Version : Version information for the device and its firmware

► Save

- ① Press Save button to store the new configuration on the MicroSD card and apply the changed settings
- ② Saved configuration is stored in blackbox.cfg file located in MicroSD card under Settings folder
- ③ Insert the MicroSD card with changed settings to apply the changes to the device

- Deleting/Removing blackbox.cfg file using PC file explorer will disable the use of PC Viewer. In such case, insert the MicroSD card and power on the device which automatically generates blackbox.cfg file with default settings to enable use of PC Viewer.

4. Specifications

4-1. Specifications

The specifications of this product may change without prior notice for product improvements.

Item	Standard	Note
Model	H50	
Size/weight	76 x 30.5 x 38.4mm / 36.8g 3.0 x 1.2 x 1.51inches / 0.08lbs	
Capacity	MicroSD card	8GB /16GB/32GB
Recording mode	Continuous Recording Mode	Records in 1 minute segment
	Incident Recording Mode	10 seconds before/after incident (total 20 seconds)
	Manual Recording Mode	
	Parking Surveillance Mode	Optional hardwiring cable and installation are required for continuous supply of power when vehicle ignition is off.
	Audio Recording	
Video quality	Choose from one of three different modes (low/mid/high)	Total recording time varies depending on the partition type.
Camera	2.0 Megapixel CMOS Sensor	
Viewing angle	Approximately 120° (diagonally)	
Video	HD (1280X720) / H.264 / extension AVI	
Frame rate	1 channel (Front view) : up to 30 fps	
Audio	PCM (Pulse code modulation)	
Acceleration sensor	3-axis acceleration sensor (3D, ±3G)	Adjustable impact sensitivity (10 levels)
GPS	External GPS Receiver (Stereo jack 2.5Ø)	Optional accessory that requires separate purchase
Input power source	DC 12/24V	
Current consumption	2.1W (Max)	
Indicator LED	Front : Security LED / Rear : Status LED	
Warning sound	Embedded speaker	Voice (buzzer sound) guidance
Operation/Storage Temperature	-10°C to 60°C/ -20°C to 70°C 14°F to 140°F/ -4°F to 158°F	