



SAFSP548











5.1 Plasma/LCD TV Stand/
Speaker package

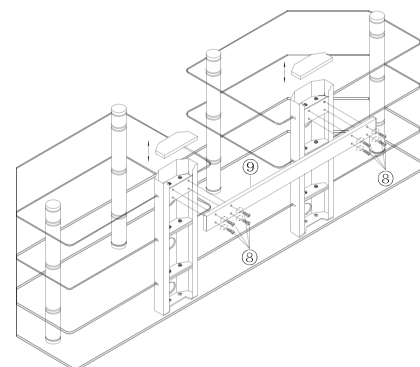
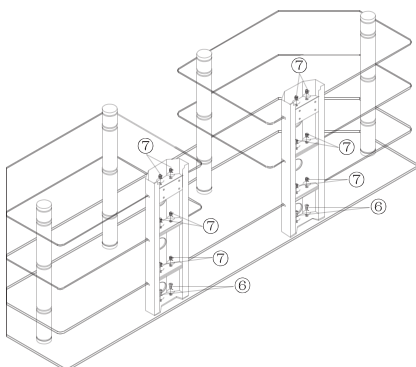
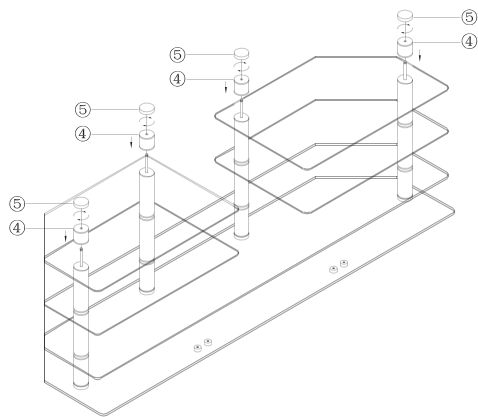
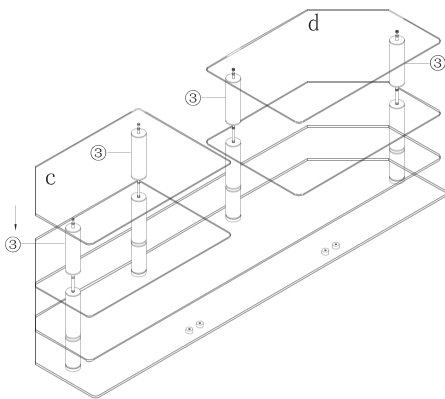
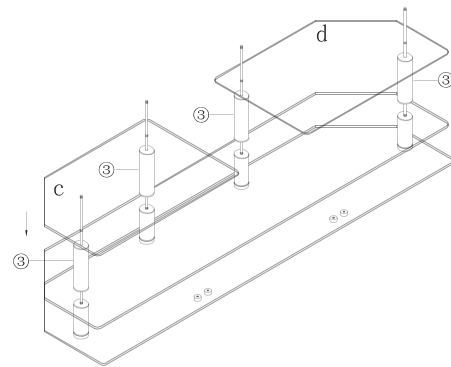
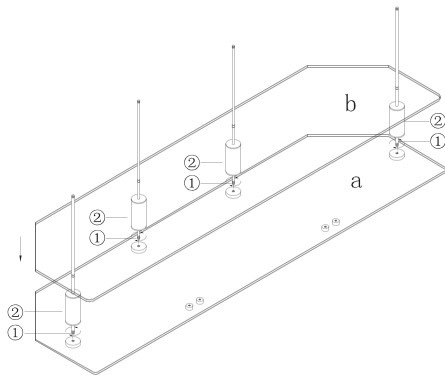
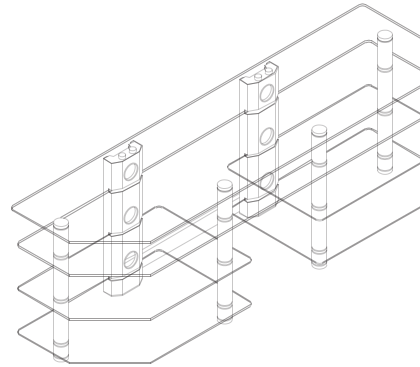
USER'S MANUAL



studi**acoustics**
Inspired by Imagination

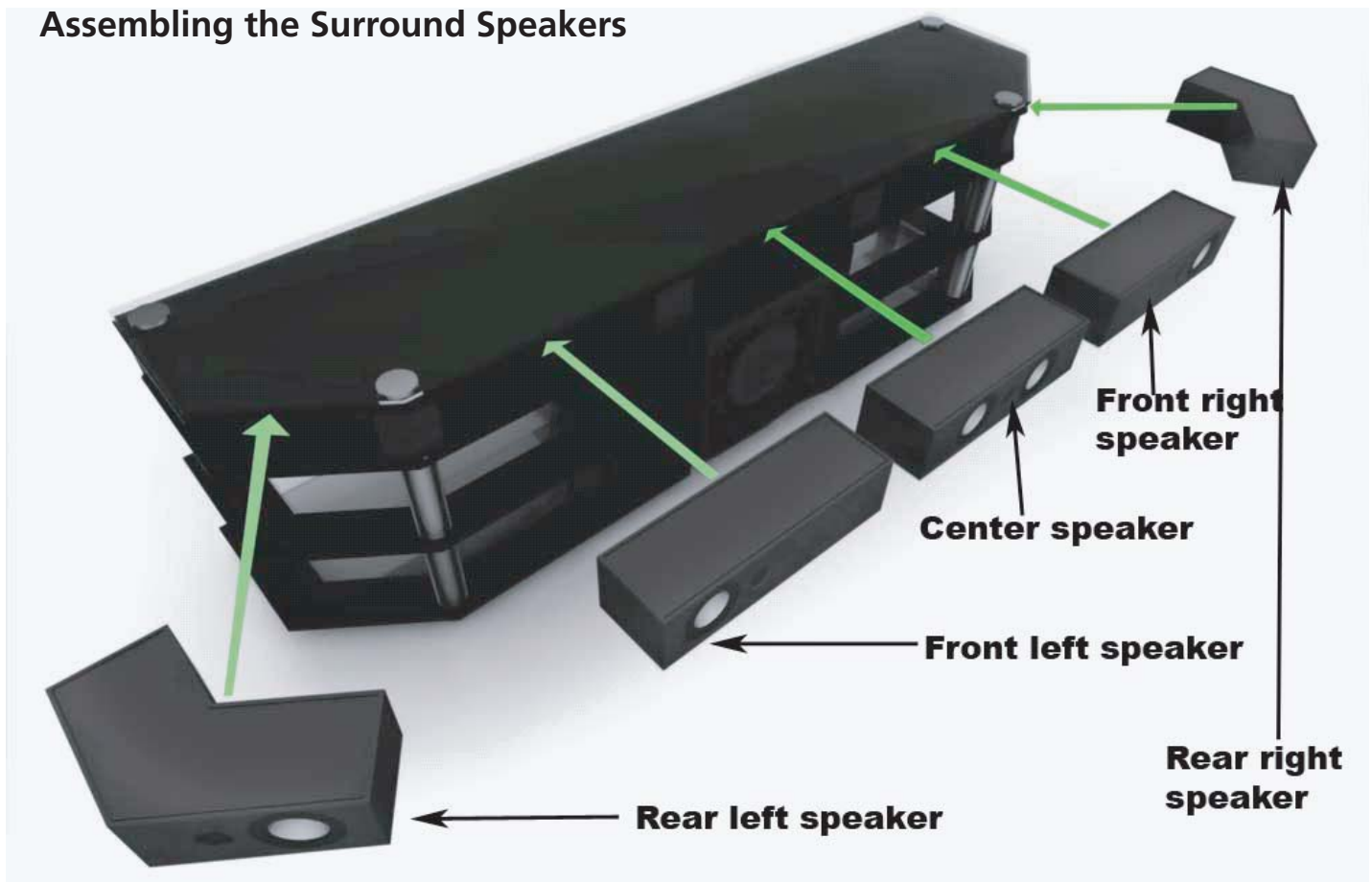
Assembling the A/V Stand

①		4pcs
②		4pcs
③		8pcs
④		4pcs
⑤		4pcs
⑥		4pcs
⑦		12pcs
⑧		8pcs
⑨		1pcs
⑩		1pcs

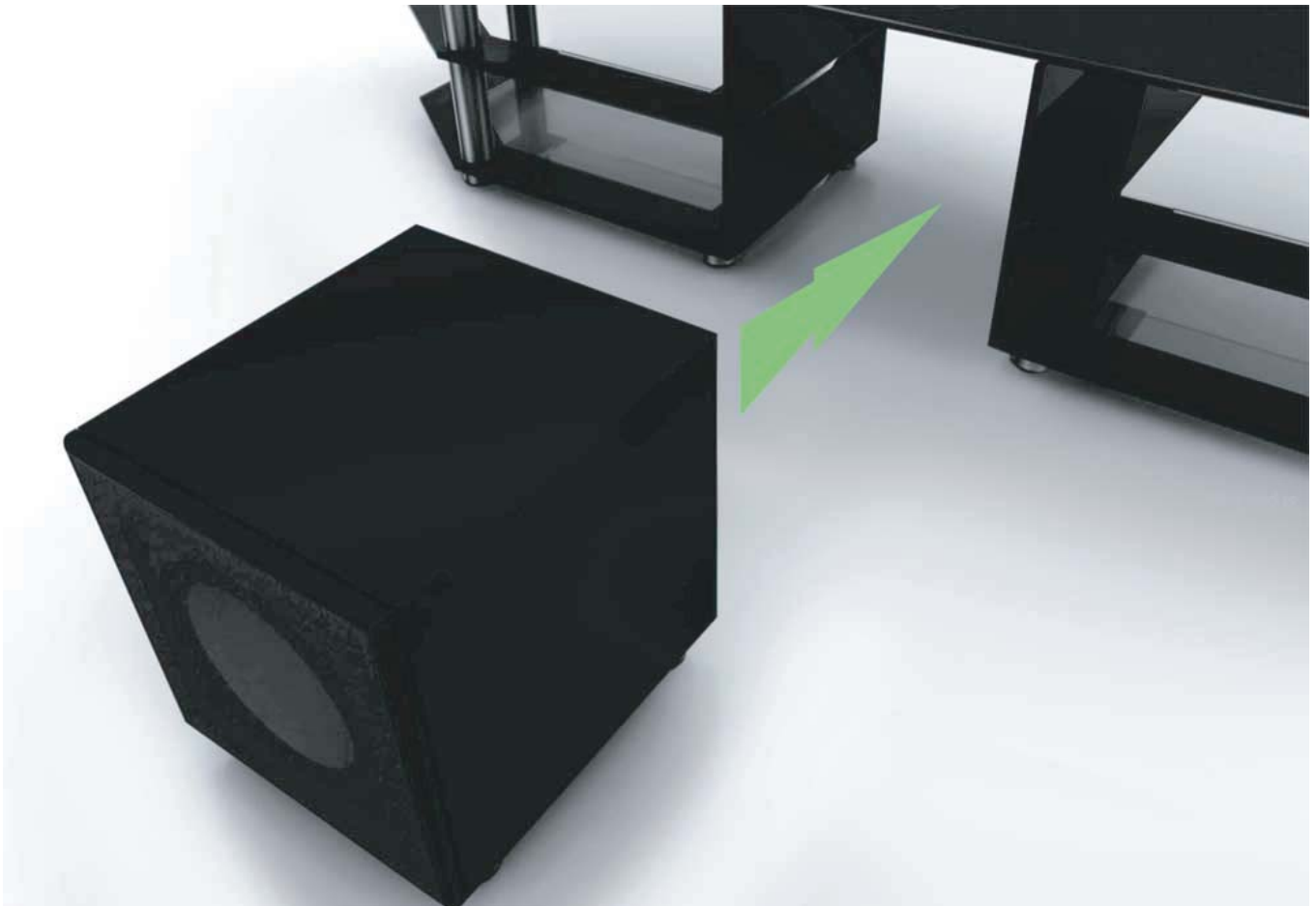


1. Place the large glass shelf (a) (this is the top shelf of the A\V stand) on a flat surface with the threaded holes facing upward
2. Attach the 4 threaded rods (1) by screwing them into the threaded holes in the glass shelf
3. Through each threaded rod insert the 4 metal spacers (2)
4. Locate and place second large glass shelf (b) through the threaded rods and lower in to the 4 metal spacers
5. Next thread the 4 longer spacer (3) through the threaded rods
6. Place two of the small glass shelves (c) (one on each side) making sure to match them with the left and right sides of the larger shelves
7. Repeat steps 5 and 6 for assembling the next two small shelves
8. Through the threaded rods insert the 4 small spacers (4)
9. Using the 4 threaded metal discs tighten the A\V stand
10. Locate and install the cable management / Rear support struts using the hardware supplied as per the diagram
11. The short slotted screws are to be used to clamp the glass shelves to the cable management channels. (CAUTION. Please do not use any power tools when assembling the A\V Stand)
12. Tighten the whole assembly and turn the A\V stand over on to the feet(These are the small metal spacers)
13. You are now ready for the next assembly stage of installing the speakers into the A\V stand

Assembling the Surround Speakers



1. Remove the speakers from their packaging and to each speaker attach at least 1.2 metres of speaker wire taking care to mark each speaker lead e.g. Right front, left front etc.
2. Taking care to pass the speaker leads to the back of the shelf position each speaker into place between the top and second glass shelf of the A\V Stand on by one and lock into place with the locking pegs
3. Neatly arrange the speaker wires using the cable management channels.
4. Next install all of the other audio and video equipment according to the instruction manuals provided for these products.
5. Connect the various speaker leads to the appropriate output terminals of the A\V Amplifier or receiver.
6. Next install the subwoofer as per the attached manual and place it in the position as indicated in the illustration



Subwoofer