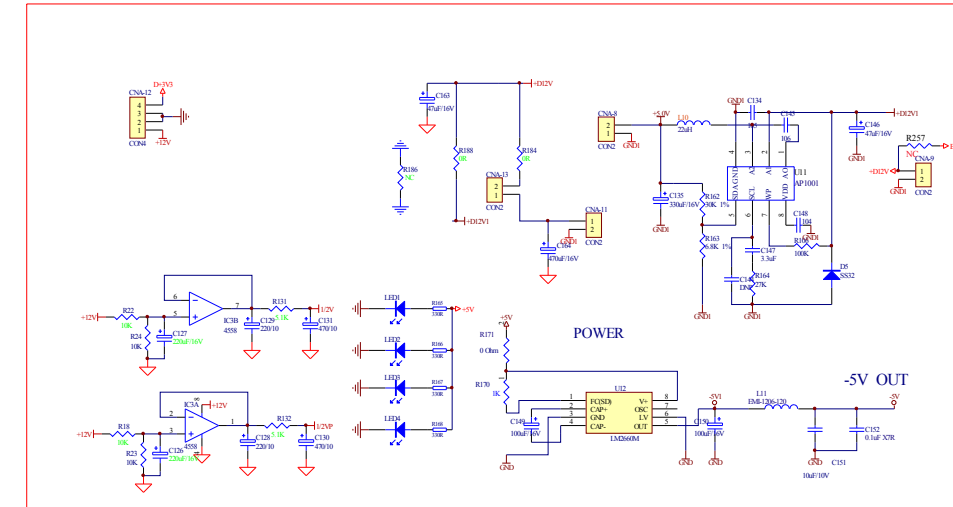
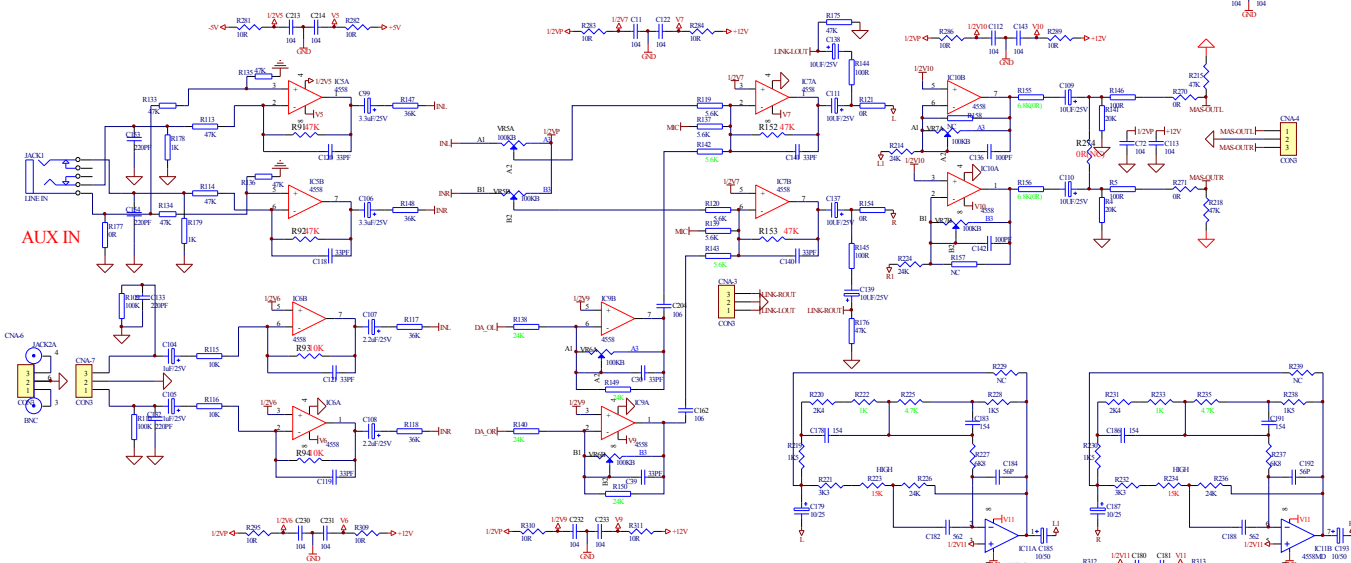
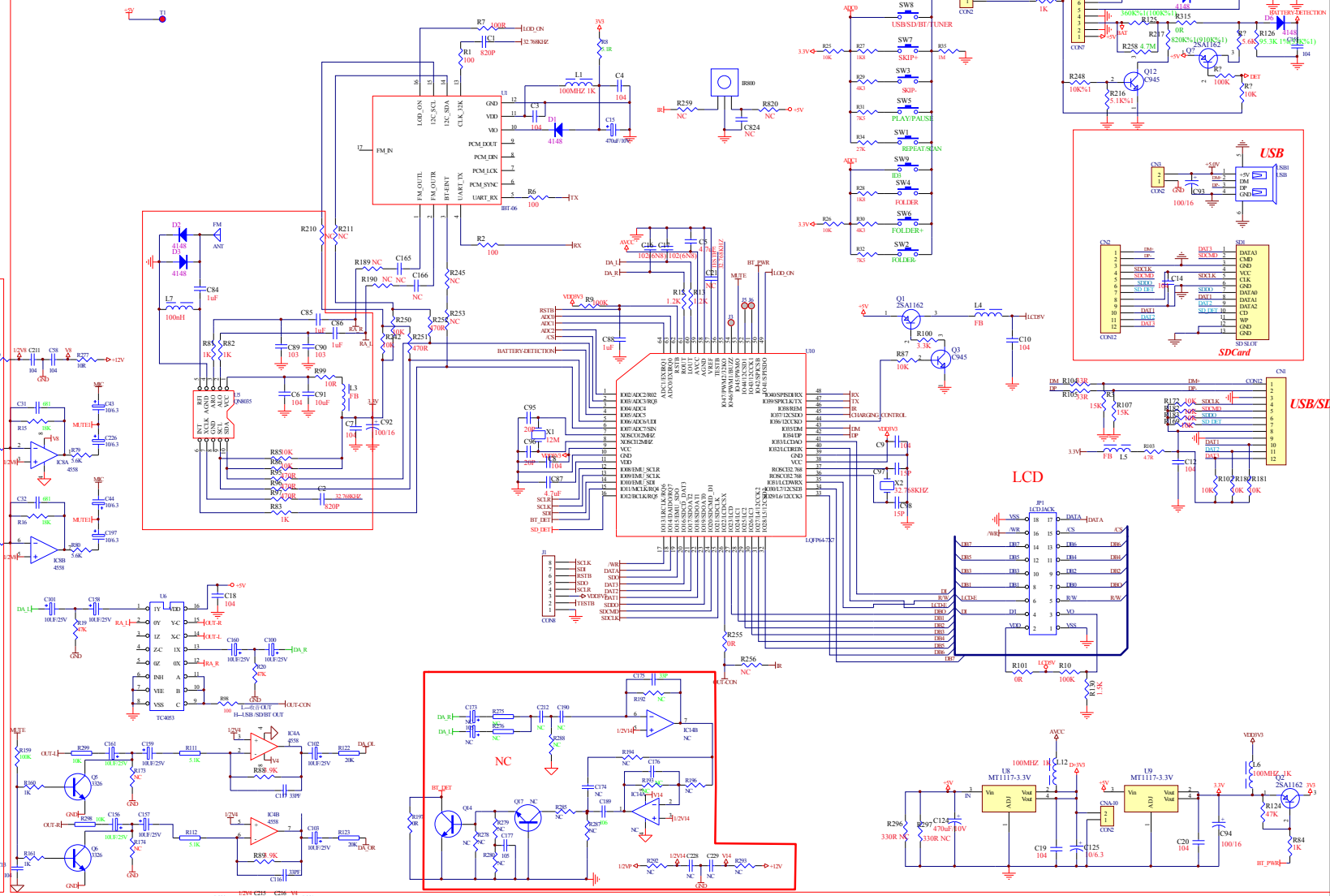
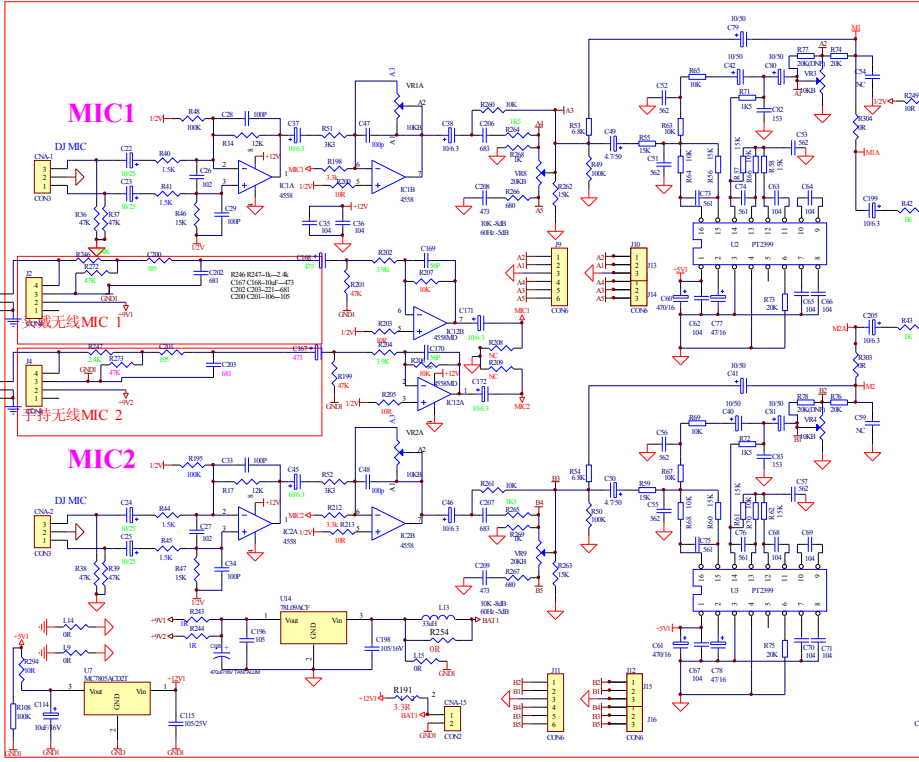
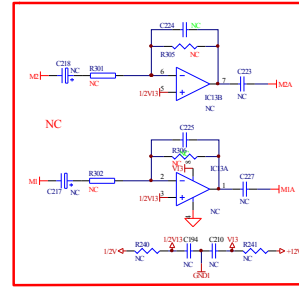


20150706:  
 GEMINI PS034与PS34C区别:  
 PS034 PS34C  
 R155, R156 0R 6.8K  
 R138, R140 24K 24K  
 R125 100K%1 360K%1  
 R248 NC 5.1K%  
 R248 NC 10K%  
 R126 NC 95.3K%1  
 R217 NC 820K%1  
 R127 NC 1K  
 R128, R129 NC 10K  
 Q12 NC 945  
 Q4 NC 945  
 CNA11,CNA13,CNA14 NC 2PIN  
 R184 NC 5MM跳线  
 C164 NC 470uF/16V  
 R274 NC 0R

20151110 V1.8  
 RDD-C40,C42改善ECHO有杂音问题



File	Number	Revision
AI		
File: 2015-07-06	20150706	20150706
File: RDD-C40,C42改善ECHO有杂音问题		