

AIR2SING

stadium

Quickstart guide

Wireless Microphone System



www.stadiumsound.com.au

OVERVIEW

The AIR2SING is a UHF Wireless Microphone System complete with two handheld microphones and a receiver. The wireless microphones are designed for professional applications, with a long working range and excellent sound reproduction. Ideal for entertainers, clubs, restaurants, function centres and wedding ceremonies. Voices are reproduced faithfully whilst allowing freedom of movement to a distance of 150m.

Output is via either a standard 6.5mm phono jack or an XLR balanced connector for connection to virtually any modern mixer or amplifier.

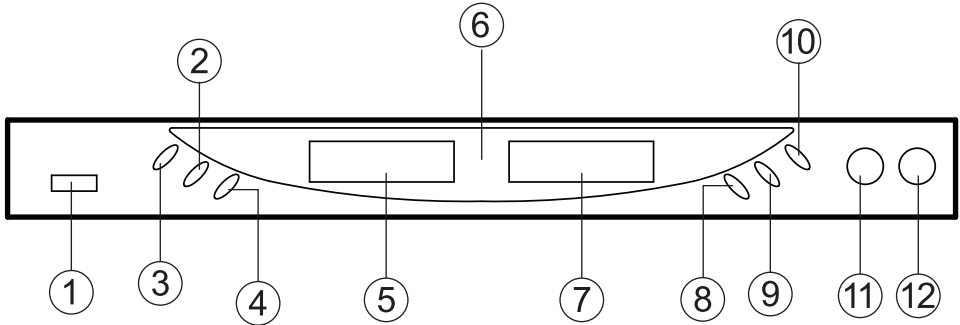
KEY FEATURES

- UHF receiver with 2 antennas
- LED/LCD display
- Twin wireless UHF frequency microphone
- Split frequencies to avoid interference between microphones
- Manual or Infrared pairing system
- Working range up to 150m
- Twin balanced XLR output
- 6.5mm / 1/4" Line output unbalanced

INCLUSIONS

- 1 Wireless receiver
- 2 Microphones
- 2 UHF antennas
- 2 Rack mounting brackets
- 240V-12V AC/DC adapter (For receiver)
- 4x1.5V AA batteries (For microphone)
- 1 metre / 6.5mm phono lead

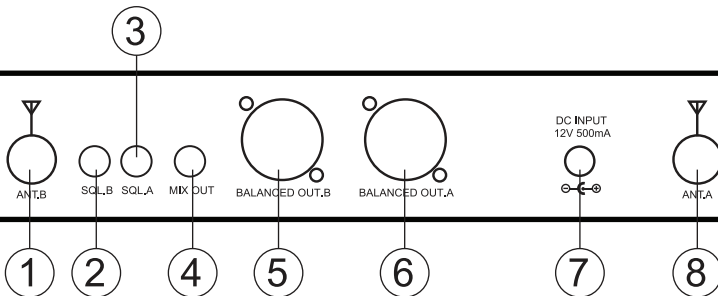
UHF RECEIVER (FRONT)



1. Power ON/OFF switch
2. Up button
3. Settings button
4. Down button
5. LCD display for Mic A
6. Infrared sensor

7. LCD display for Mic B
8. Down button
9. Settings button
10. Up button
11. Volume for Mic A
12. Volume for Mic B

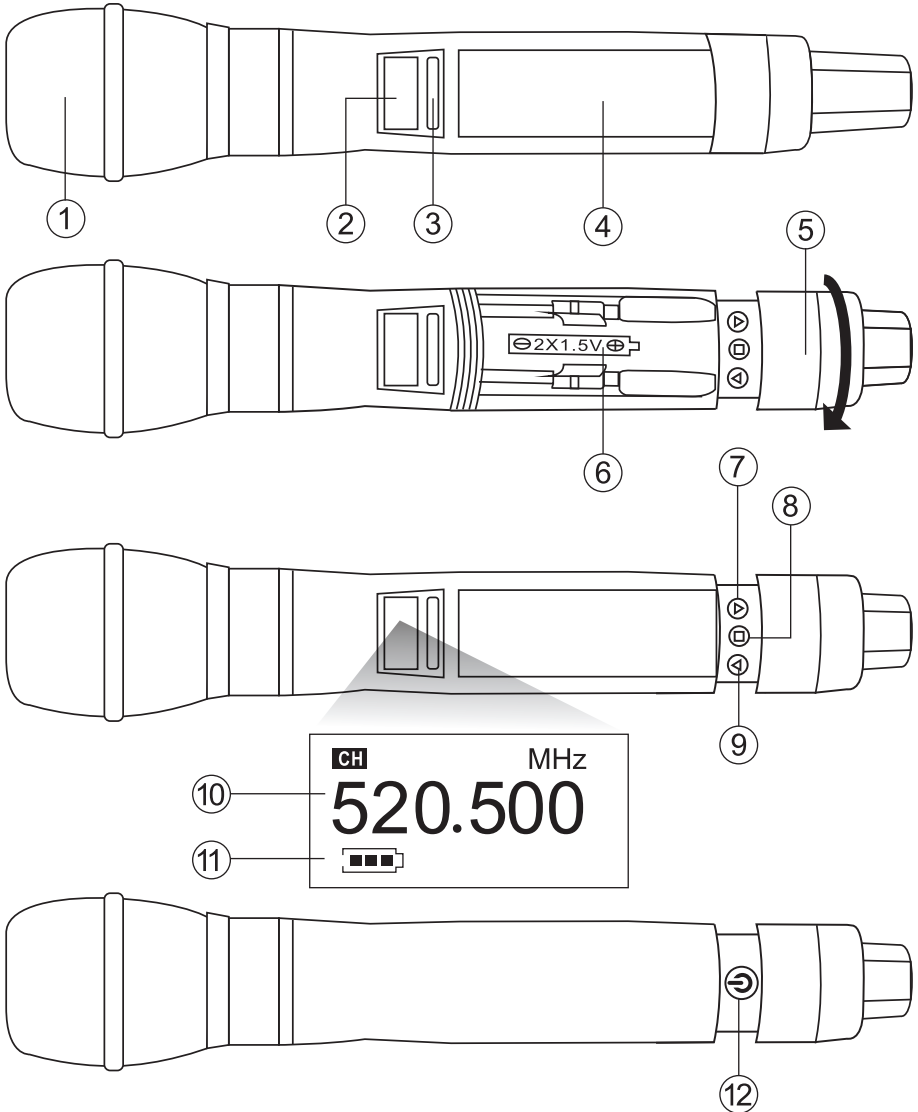
UHF RECEIVER (REAR)



1. Antenna B connector
2. Squelch control Mic B
3. Squelch control Mic A
4. 6.5mm mixed output unbalanced

5. XLR Balanced output Mic B
6. XLR Balanced output Mic A
7. 12V/DC power input jack
8. Antenna A connector

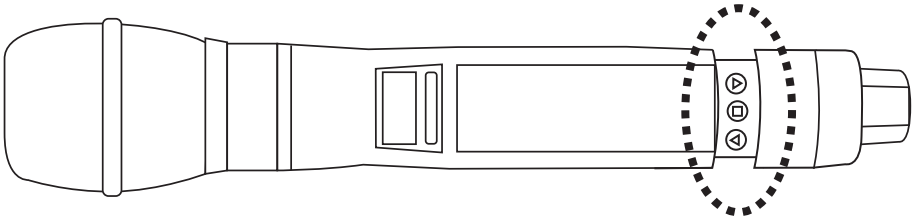
HANDHELD UHF WIRELESS MICROPHONE



1. Microphone head
2. LCD display
3. Power On/Off button/ RF transmitter
4. Battery cover
5. Rotate bottom cover anti-clockwise for access
6. Battery input. Slide cover downwards to expose
7. Down button
8. Settings button
9. Up button
10. Frequency menu display
11. Battery level display
12. Power On/Off button

MICROPHONE SETUP

1. Below the display screen is the handheld ON/OFF button and infrared on the frequency of the window. Unscrew the base of the microphone to reveal another ON/OFF button. These two ON/OFF buttons have the same function, and can be used alternatively.
2. With the base of the microphone exposed, you will see three round buttons with these icons. ◀ ■ ▶ . Turn the microphone on and the LCD display will show the Frequency, Channel, RF HI/LO signal, Volume and lock settings.
3. Press the "■" button to scroll through these settings
4. The setting will flash ready for changing
5. Press "◀ or ▶" buttons change the setting.
6. Once a setting has been changed, wait 3 seconds and the flashing will stop. The setting has been successfully changed.



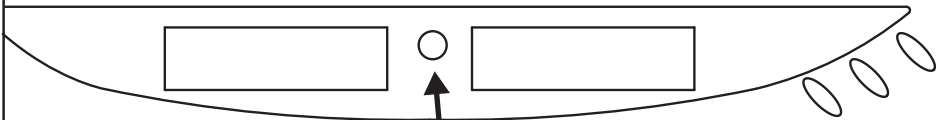
PAIRING THE MIC TO THE RECEIVER MANUALLY

1. Turn on the receiver.
2. Press the "UP or DOWN" button on the receiver to scroll to the required channel/frequency. This is to match the channel/frequency of the microphone.
3. Channel number flashes whilst changing
3. Once both microphone and receiver are on the same channel/frequency, channel number stops flashing and the RF bar indicator appears on the receivers display.
4. This means pairing is successful

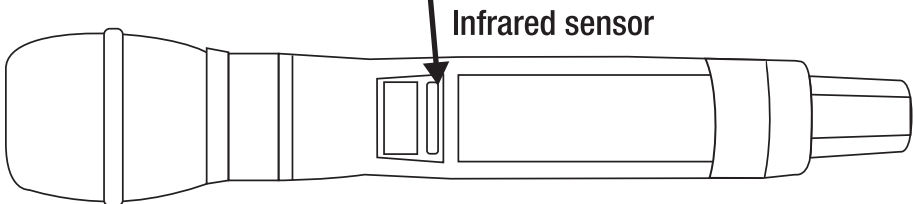
IR PAIRING THE MIC TO THE RECEIVER

1. Turn on the receiver.
2. Press the “UP or DOWN” button on the receiver to scroll to the required channel/frequency.
3. Turn on the microphone
4. Point the microphone Infrared sensor directly at the Infrared transmitter on the receiver. Like a TV remote. Less than 20cm away.
5. Press “SET” button and the channel/frequency will disappear
6. The receiver will transmit the frequency to the microphone via IR
7. Once successfully paired the microphones settings will be matched to the receiver
8. Once both microphone and receiver are on the same channel/frequency the display RF bar indicator appears.

Infrared transmitter

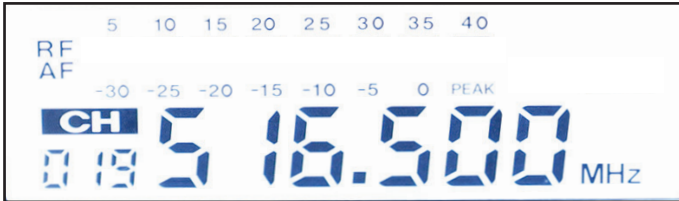


Direct line of site.
Less than 20cm away

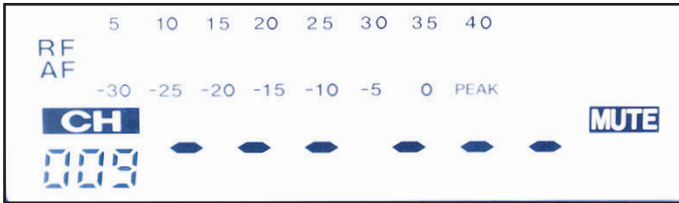


SETTINGS DISPLAY SCREENS

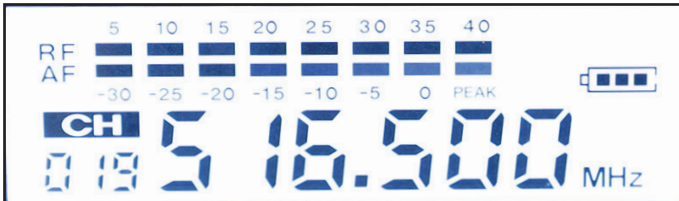
Use Up/Down button to select channel/frequency



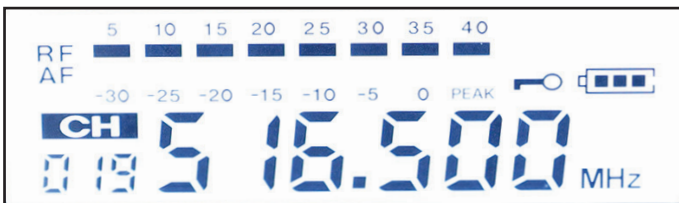
Press set button to transmit via RF



Channel/Frequency Pairing successful (RF bar displayed)



Press and hold SET button to lock (Lock icon displayed)



SPECIFICATIONS

Model: AIR2SING	UHF Wireless Receiver
Audio Frequency Response	50Hz-18KHz
Frequency range	UHF 520-570MHz
Channels	2x100
Adjustable range	50MHz
Frequency Interval	250KHz
Working Range	Up to 150M
Microphones	4x1.5V AA batteries
Receiver	240V-12V AC/DC adapter
Continuous Working Time	Up to 8 hours
Receiver Power Supply	(BI12T-120050-BdA)

TECHNICAL SPECIFICATIONS

If you need assistance setting up or using your STADIUM product now or in the future, call STADIUM Support Australia

TEL: 03 – 8587 8898

FAX: 03 – 8587 8866

Mon-Fri 9am – 5pm AEST



Please retain this user guide for future reference. If you would like to download a digital copy of this manual, or other Stadium manuals please visit the <http://stadiumsound.com.au> website.

This manual is considered correct at time of printing but is subject to change. For latest manuals and updates refer to the website.

www.stadiumsound.com.au