

OVERVIEW

The AIR1PRO is a UHF Wireless Microphone System complete with a handheld microphone and a True FM Diversity receiver. The wireless microphone is designed for professional applications, with a long working range and excellent sound reproduction. Ideal for entertainers, clubs, restaurants, function centres and wedding ceremonies. Voices are reproduced faithfully whilst allowing freedom of movement to a distance up to 150m. Output is via either a standard 6.5mm phono jack or an XLR balanced connector for connection to virtually any modern mixer or amplifier.

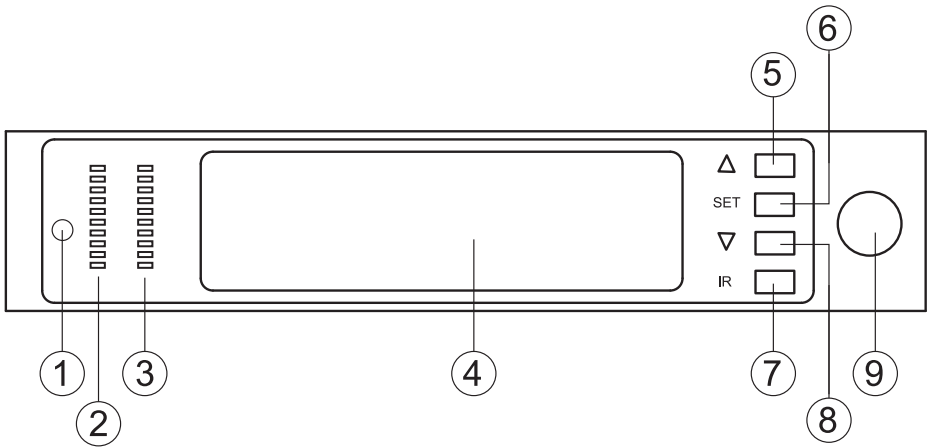
KEY FEATURES

- True FM diversity receiver
- Wireless UHF frequency microphone
- Manual or Infrared pairing system
- Working range up to 150m
- Balanced XLR output
- 6.5mm / 1/4" Line output unbalanced
- LED status receiver with 2 antennas

INCLUSIONS

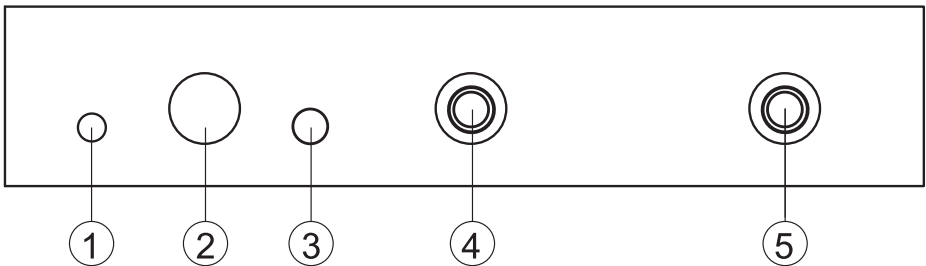
- 1 Wireless receiver
- 1 Microphone
- 2 UHF antennas
- 240V-12V AC/DC adapter (For receiver)
- 2x1.5V AA batteries (For microphone)
- 1 metre / 6.5mm phono lead

UHF RECEIVER (FRONT)



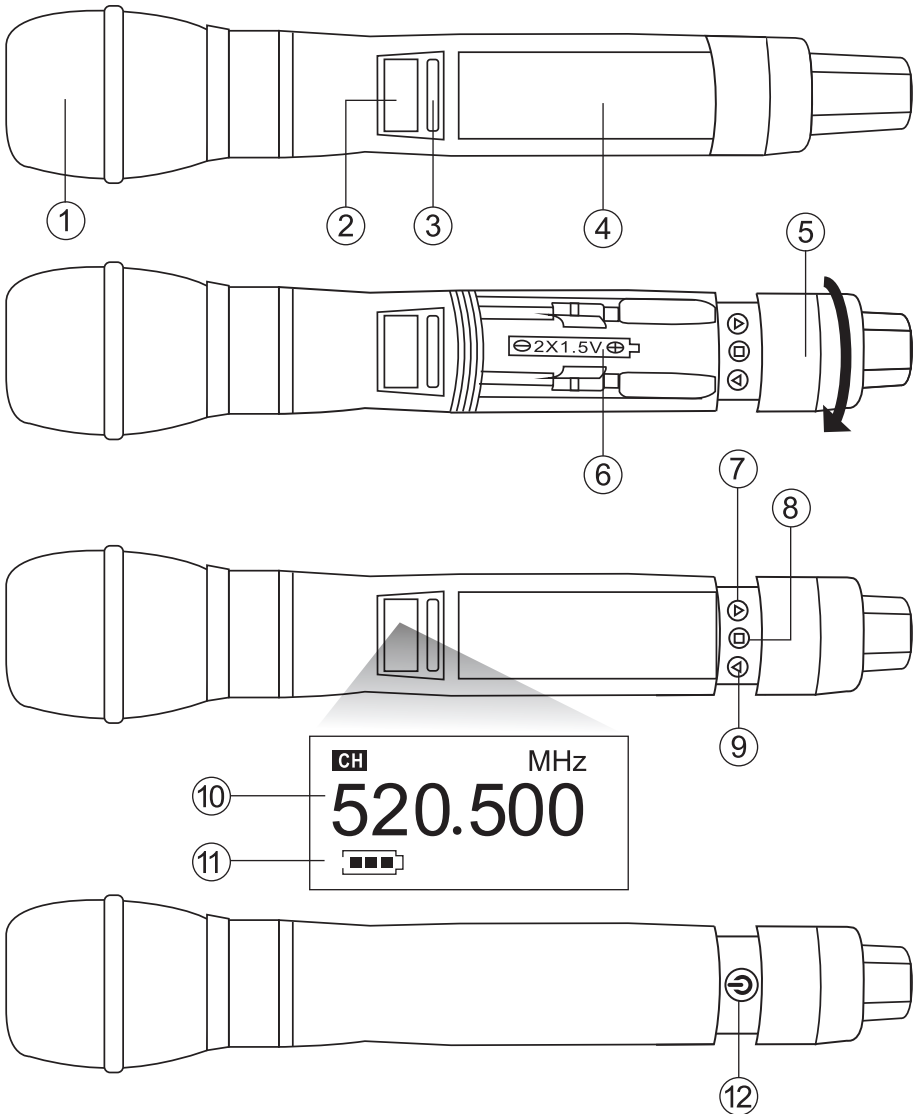
- 1. Infrared sensor
- 2. RF Frequency strength display
- 3. AF Frequency strength display
- 4. LCD display
- 5. Up button
- 6. Settings button
- 7. Down button
- 8. IR connection Up button
- 9. Power On/OFF button

UHF RECEIVER (REAR)



- 1. 12V/DC power input jack
- 2. Balanced XLR output
- 3. 6.5mm mixed output unbalanced
- 4. Antenna B connector
- 5. Antenna A connector

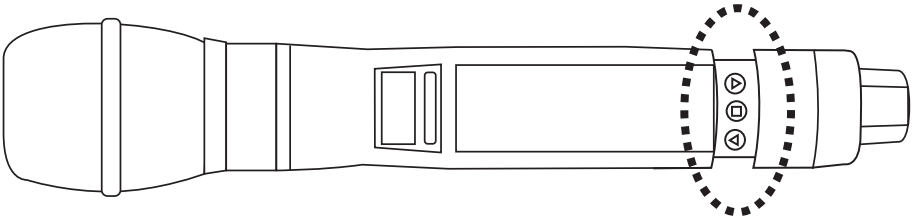
HANDHELD UHF WIRELESS MICROPHONE



- | | |
|---|----------------------------|
| 1. Microphone head | 7. Down button |
| 2. LCD display | 8. Settings button |
| 3. Power On/Off button/ RF transmitter | 9. Up button |
| 4. Battery cover | 10. Frequency menu display |
| 5. Rotate bottom cover anti-clockwise for access | 11. Battery level display |
| 6. Battery input. Slide cover downwards to expose | 12. Power On/Off button |

MICROPHONE SETUP

1. Below the display screen is the handheld ON/OFF button and infrared on the frequency of the window. Unscrew the base of the microphone to reveal another ON/OFF button. These two ON/OFF buttons have the same function, and can be used alternatively.
2. With the base of the microphone exposed, you will see three round buttons with these icons. ◀ ■ ▶ . Turn the microphone on and the LCD display will show the Frequency, Channel, RF HI/LO signal, Volume and lock settings.
3. Press the "■" button to scroll through these settings
4. The setting will flash ready for changing
5. Press "◀ or ▶" buttons change the setting.
6. Once a setting has been changed, wait 3 seconds and the flashing will stop. The setting has been successfully changed.



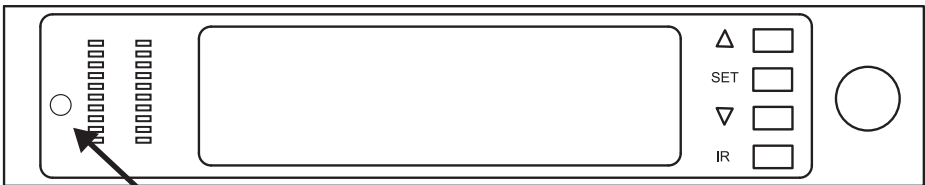
PAIRING THE MIC TO THE RECEIVER MANUALLY

1. Turn on the receiver.
2. Press the "SET" button on the receiver to access the settings
3. Press the "SET" button repeatedly to scroll through settings. Frequency, Channel, DB, Scan & Lock.
4. The setting will flash ready for changing
5. Press the "◀ or ▶" buttons to change the setting
6. Once a setting has been changed, wait 3 seconds and the flashing will stop. The setting has been successfully changed.
7. Turn on the microphone
8. With the base of the microphone exposed, use the 3 buttons to match the settings of the receiver to the microphone.
9. Once paired the receiver LCD display text will change from blue to orange.

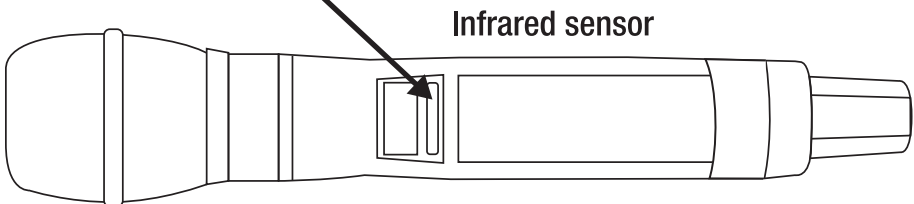
IR PAIRING THE MIC TO THE RECEIVER

1. Turn on the receiver.
2. Make the required adjustments in the settings on the receiver
3. Turn on the microphone
4. Point the microphone Infrared sensor directly at the Infrared transmitter on the receiver. Like a TV remote. Less than 20cm away.
5. Press the "IR" button on the receiver
6. The receiver will transmit the frequency to the microphone via IR
7. Once successfully paired the microphones settings will be matched to the receiver
8. A microphone icon will appear on the receivers LCD and the text will change from blue to orange.

Infrared transmitter



Direct line of site. Less than 20cm away



NOTE: Angle the antennas in a V shape for optimisation

SETTINGS DISPLAY SCREENS

Channel



Use Up/Down arrows to change

DB-Gain



Use Up/Down arrows to change

Channel frequency/Scanning



Press Up/Down arrows to start scanning. This will search for a quiet frequency to use. **NOTE: This should be done before manual or IR pairing of the microphone**

Lock screen



Up arrow locks.
Down arrow unlocks

Frequency Pairing screen



Press IR button to pair

Frequency Pairing successful screen (Orange)



SPECIFICATIONS

Model: AIR1PRO	True FM Diversity Receiver
Audio Frequency Response	50Hz-18KHz
Frequency range	UHF 520-570MHz
Channels	1x100
Adjustable range	50MHz
Frequency Interval	250KHz
Working Range	Up to 150M
Microphone	2x1.5V AA batteries
Receiver	240V-12V AC/DC adapter
Continuous Working Time	Up to 8 hours
Receiver Power Supply	(BI12T-120050-BdA)

TECHNICAL SPECIFICATIONS

If you need assistance setting up or using your STADIUM product now or in the future, call STADIUM Support Australia

TEL: 03 – 8587 8898

FAX: 03 – 8587 8866

Mon-Fri 9am – 5pm AEST



Please retain this user guide for future reference. If you would like to download a digital copy of this manual, or other Stadium manuals please visit the <http://stadiumsound.com.au> website.

This manual is considered correct at time of printing but is subject to change. For latest manuals and updates refer to the website.

www.stadiumsound.com.au