



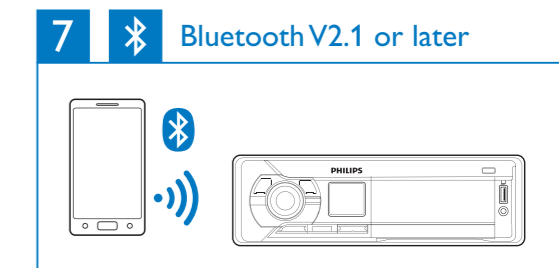
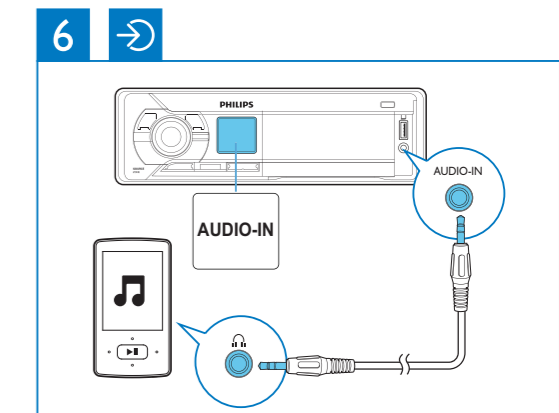
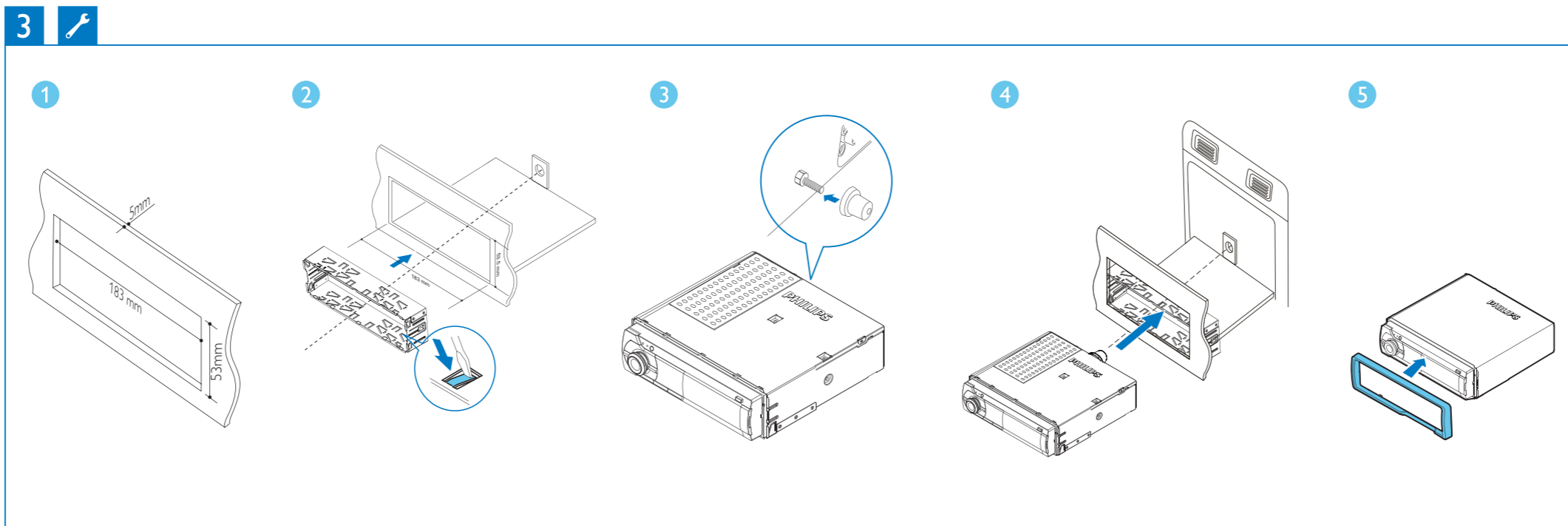
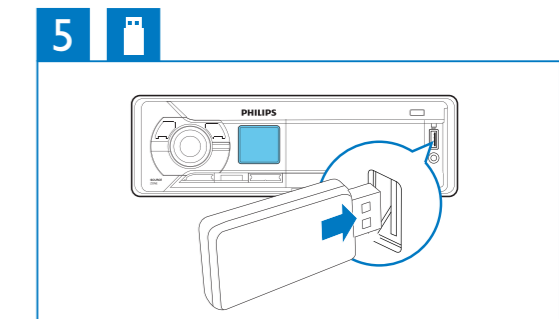
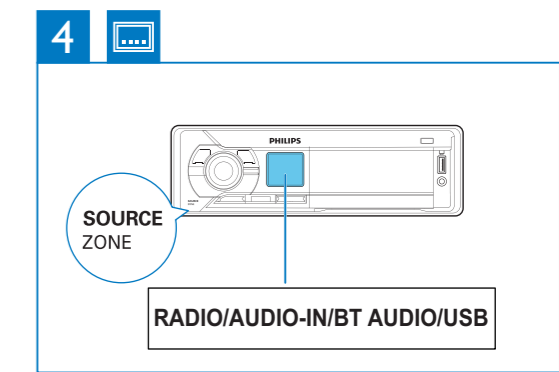
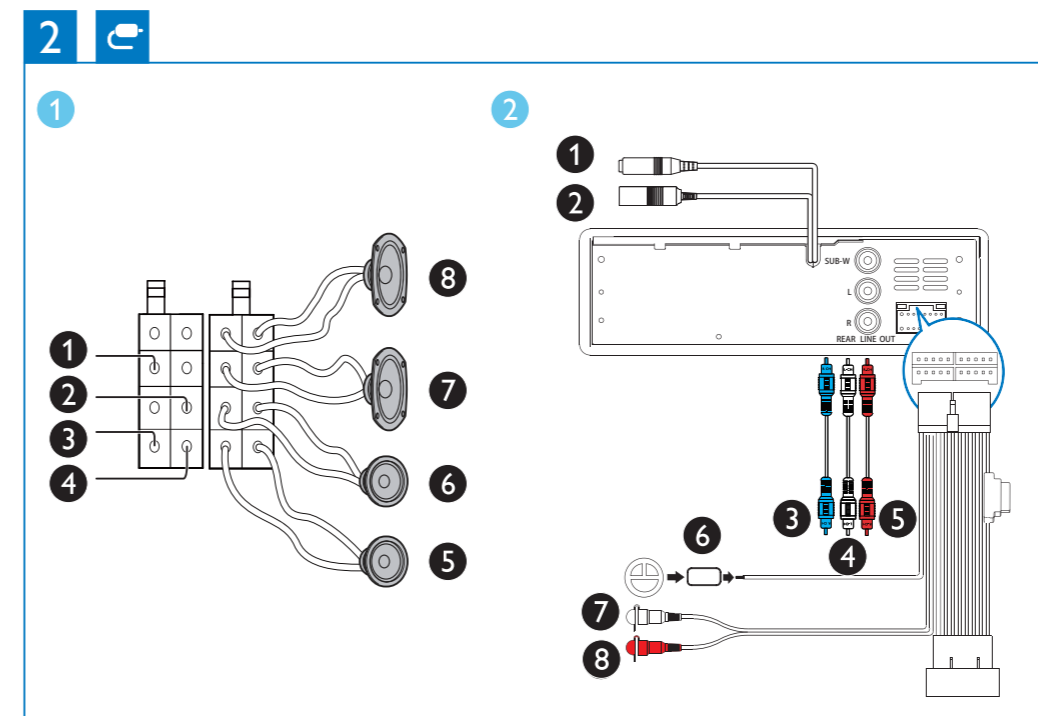
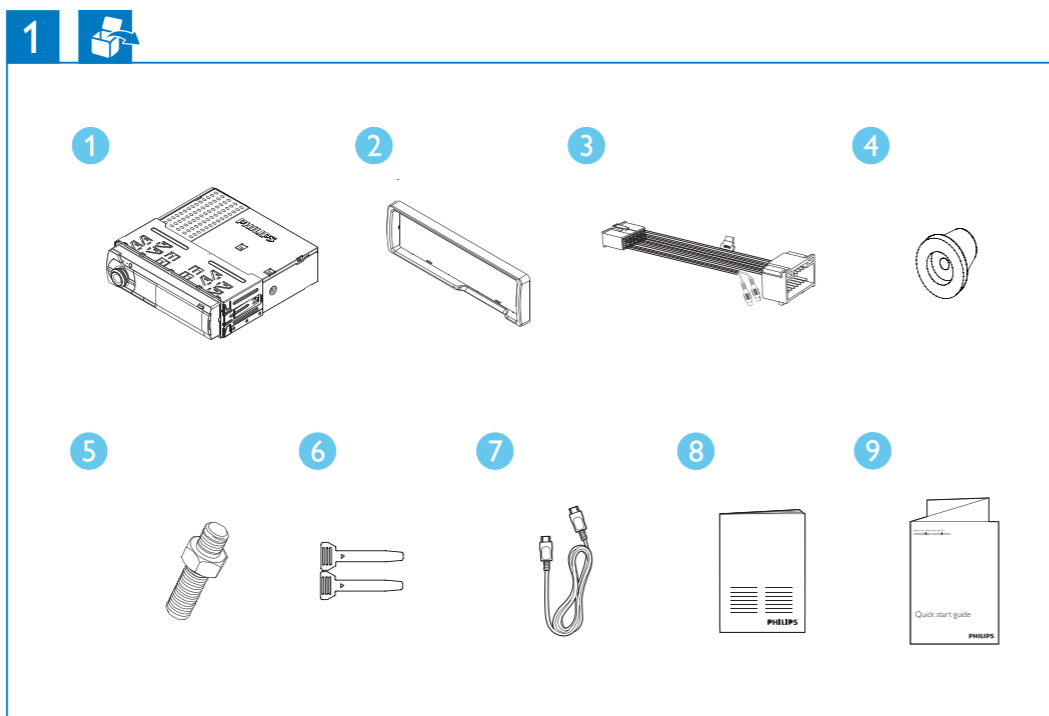
Quick start guide



All registered and unregistered trademarks are property of their respective owners.
© 2012 Koninklijke Philips Electronics N.V.
All rights reserved.



CMD305A_05_QSG_V1.0



Congratulations on your purchase, and welcome to Philips! To fully benefit from the support that Philips offers, register your product at www.philips.com/welcome. Read and understand all instructions before you use this product. If damage is caused by failure to follow the instructions, the warranty does not apply.

1 What's in the box (Fig. 1)

1 Main unit and front panel (with a sleeve)	2 Trim plate
3 ISO standard connector	4 Rubber cushion
5 1 x Screw	6 2 x Disassembly tools
7 USB cable	8 User manual
9 Quick start guide	

2 Installation

Connect wires (Fig. 2)

Caution

- Make sure that all loose leads are insulated with electrical tape.

- Check the car's wiring carefully, and then connect them to the supplied ISO wires. (Fig. 2 - 1)

Connector	Connect to
1 Yellow wire	The +12V car battery which is live at all times
2 Blue/White wire	The electric antenna control lead or power supply lead of the antenna booster. If there is no electric antenna or antenna booster, or it is manually operated telescopic antenna, it is unnecessary to connect this lead.
3 Black wire	A metal surface of the car. Connect the black ground (earth) lead before connecting the yellow and red power supply leads.
4 Red wire	The +12V power terminal which is live in the accessory (ACC) position of the ignition switch. If there is no accessory position, connect to the +12V car battery terminal that is always live. Make sure that the black ground (earth) lead is connected to a metal surface of the car first.
5 Green and green/black wires	Left speaker (rear)
6 White and white/black wires	Left speaker (front)
7 Gray and gray/black wires	Right speaker (front)
8 Purple and purple/black wires	Right speaker (rear)

- Connect the other end of the supplied standard connector to the car audio system. (Fig. 2 - 2)

Connector	Connect to
1 ANTENNA	Antenna for radio
2 External Mic	An external microphone for phone call
3 SUBWOOFER (Socket)	Subwoofer
4 REAR LINE OUT L (Socket)	Rear left speaker
5 REAR LINE OUT R (Socket)	Rear right speaker
6 OE REMOTE (Brown)	OE remote
7 FRONT LINE OUT L	Front left speaker
8 FRONT LINE OUT R	Front right speaker

Tip

- The pin arrangement for the ISO connectors depends on the type of vehicle you drive. Be sure to make proper connections to prevent damage to the system.

Mount into the dashboard (Fig. 3)

If the car does not have an on-board drive or navigation computer, disconnect the negative terminal of the car battery.

- If you disconnect the car battery in a car that has an on-board drive or navigation computer, the computer may lose its memory.
- If the car battery is not disconnected, to avoid short-circuit, make sure that the bare wires do not touch each other.

- Make sure that the car dashboard opening is within the indicated measurements. (Fig. 3 - 1)
- Install the sleeve into the dashboard and bend the tabs outwards to fix the sleeve. (Fig. 3 - 2)

Note

- If the system is not fixed by sleeve but by the supplied screws, skip this step.

- Place the supplied rubber cushion over the end of the mounting bolt. (Fig. 3 - 3)
- Slide the system into the dashboard until you hear a "click". (Fig. 3 - 4)
- Attach the trim plate. (Fig. 3 - 5)
- Reconnect the negative terminal of the car battery.

3 Power on

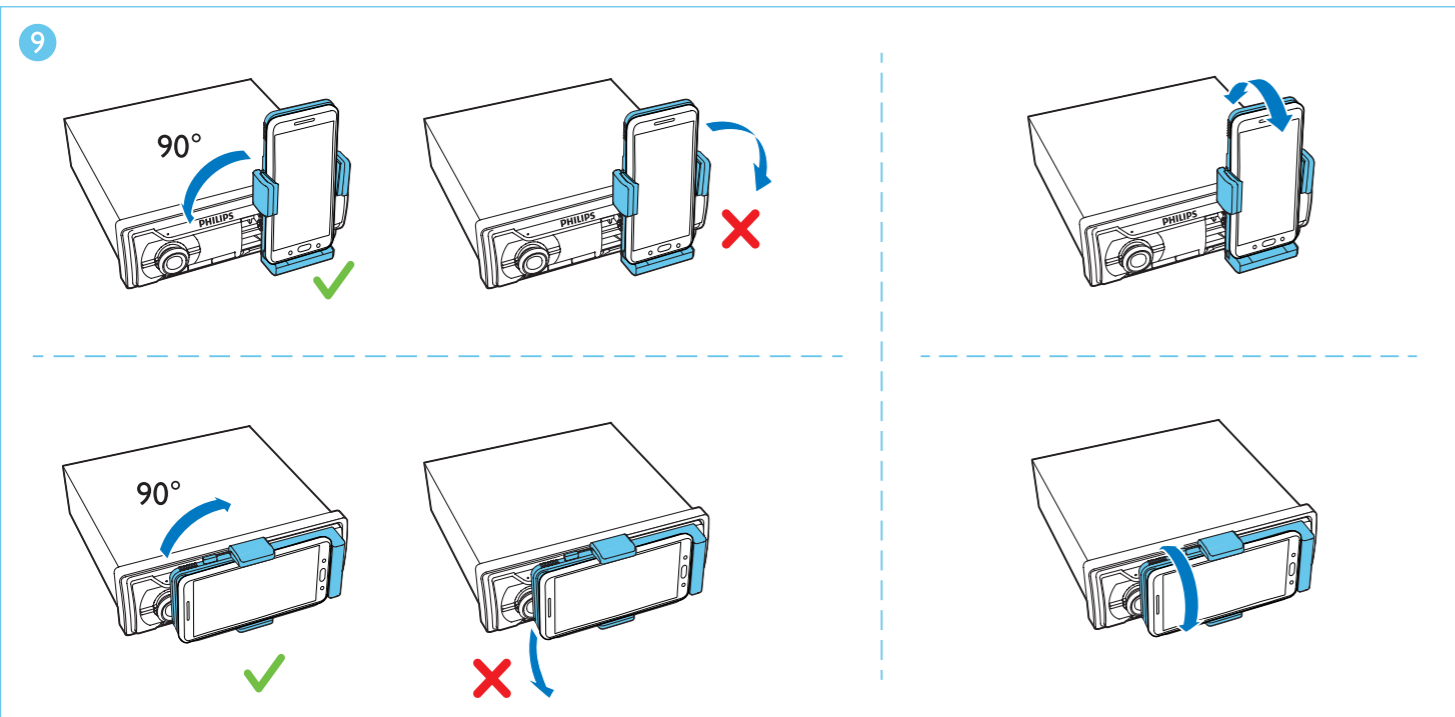
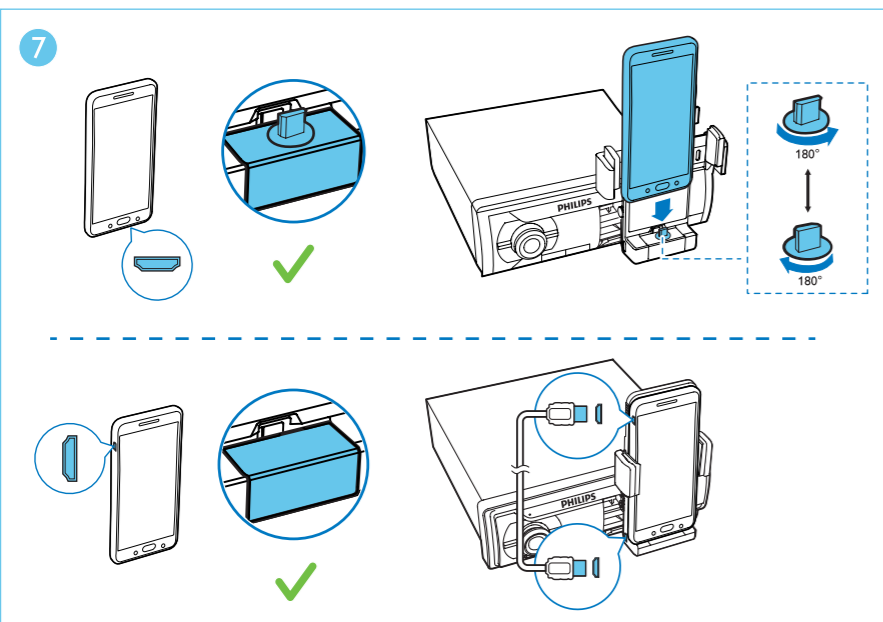
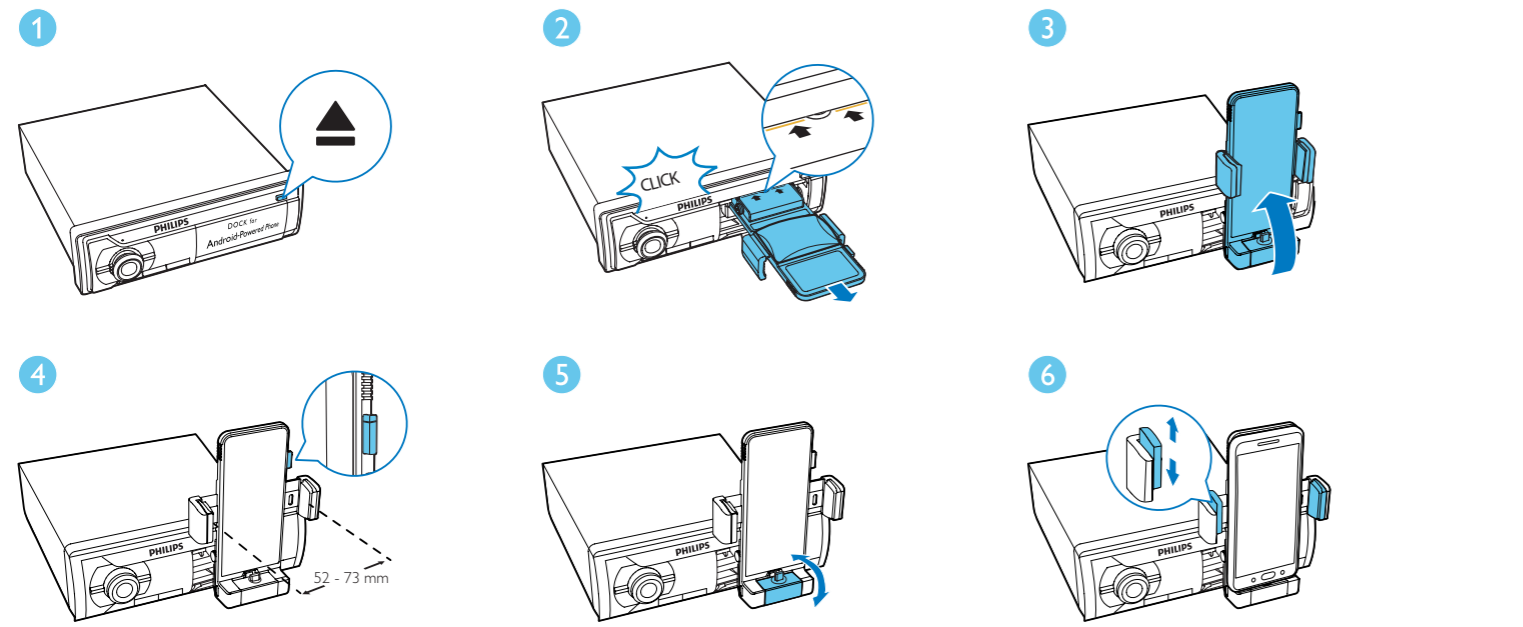
- Press **OK**.
- [WELCOME] scrolls.
 - To power off the system, press and hold **OK** until [GOODBYE] is displayed.

4 Set the clock

- Press and hold **MENU** to access the system menu.
- Press **MENU** repeatedly until [CLOCK] and the current time are displayed.
 - If the clock is not set before, [-:--] is displayed.
- Rotate **OK** to set the hour.
- Press **OK** to confirm.
- Rotate **OK** to set the minute.
- Press **OK** to confirm.

5 Select a source (Fig. 4)

- Press **SOURCE ZONE** repeatedly to select a source.
- [RADIO]: FM/MW radio
 - [AUDIO-IN]: the audio that is transferred through the AUDIO-IN socket
 - [BT AUDIO]: the audio that is transferred from a Bluetooth device



[USB]: When a USB storage device is connected and recognized, you can select this source to play audio files that are stored on it.

6 Listen to radio

Select a radio region

You can select a radio region that matches your location.

- Press and hold **MENU** to access the system menu.
- Press **MENU** repeatedly until [AREA] is displayed.
- Rotate **6** to select an option.
 - [USA] (United States)
 - [EUR] (Western Europe)
 - [RUS] (Russia)
 - [AUS] (Australia)
 - [EAS] (Middle East)
 - [AS1] (Asia Pacific)
 - [JAP] (Japan)
 - [LAT] (Latin America)

Tune to a radio station

- Press **SOURCE** repeatedly to switch the source to [RADIO].
- Press **BAND** repeatedly to select a band: [FM1], [FM2], [FM3], [MW1], or [MW2].
- Press and hold **1** or **2** until the frequency digits blink.
- Press **1** or **2** repeatedly to tune to a radio station manually.
 - The radio station is broadcast.
 - To search for a radio station automatically, press **1** or **2**.

Store stations automatically

- Press and hold **MENU** to access the system menu.
- Press **MENU** repeatedly until [STORE >] is displayed.
- Press **6** to confirm.
 - The strongest stations of the selected band are saved in preset channels automatically.

Note

- You can store a maximum of six stations in each band.

Tune to a preset station

- Press **BAND** repeatedly to select a band.
- Press a numeric key to select a preset station.

7 Play from a USB storage device (Fig. 5)

This system can play .mp3 and .wma files that are copied onto a compatible USB storage device.

Note

- Philips does not guarantee compatibility with all USB storage devices.
- NTFS (New Technology File System) file system is not supported.

- Connect the USB storage device to the **USB** socket.
- Press **SOURCE** repeatedly until [USB] is displayed.
 - Play starts automatically.

If play does not start automatically,

- Press **1** / **2** to select a folder.
- Press **1** / **2** to select a file.
- Press **6** to start play.

8 Listen to an external device (Fig. 6)

9 Use Bluetooth devices (Fig. 7)

With this car audio system, you can listen to audio from a player or make a call through Bluetooth.

Pair a device

Note

- Philips does not guarantee the compatibility with all Bluetooth devices.
- Before pairing a device with this system, read its user manual for Bluetooth compatibility. Make sure that the Bluetooth firmware version of the device is V2.1 or later.
- Make sure that Bluetooth function is enabled on your device, and your device is set as visible to all other Bluetooth devices.
- The operational range between this system and a Bluetooth device is approximately 3 meters (10 feet).
- Any obstacle between this system and a Bluetooth device can reduce the operational range.
- Keep away from any other electronic device that may cause interference.

On your device, follow the steps below.

- Enable it to search for other Bluetooth devices.
- In the device list, select **CMD305A**.
- Enter the default password "0000".
 - If the pairing is successful, [PAIR OK] is displayed.
 - To disconnect the device, disable the Bluetooth feature on it.

Play audio from a connected device

If the connected Bluetooth device supports Advanced Audio Distribution Profile (A2DP), you can listen to tracks that are stored on the device through the system. If the device also supports Audio Video Remote Control Profile (AVRCP) profile, you can control play on the system.

- Connect the Bluetooth device to this system via Bluetooth.
- Press **SOURCE** repeatedly to switch the source to [BT AUDIO].
 - Play starts automatically.
 - If play does not start, press **6**.
 - To pause play, press **6** again.
 - To skip to the previous or next track, press **1** / **2**.

Note

- If the connected device does not support the AVRCP profile, control play on the connected device.

Make a call

Note

- Keep the Bluetooth connection active between the system and your mobile.

Functions	Actions
Call a number	Dial the number on your mobile and send the call.
Redial the last called number	<ol style="list-style-type: none"> Press 6. <ul style="list-style-type: none"> [Redial] is displayed. Press 6 to confirm. <ul style="list-style-type: none"> [CALL---] is displayed.
Pick up an incoming call	Press 6 to answer the call.
Reject an incoming call	Press and hold 6 until [END] is displayed.
End a call	Press 6 .
Transfer a phone call to mobile	Press and hold BAND until [TRANSFER] is displayed. <ul style="list-style-type: none"> The loudspeakers are muted, and the voice comes from your mobile only.

10 Use the dock

An application Philips CarStudio is available on Google Play for this car audio system. To enjoy full features, download and install the application to your Android-powered phone.

Compatible with Android™

Before using the dock, check your Android-powered phone and make sure that it meets the following requirements:

- With Android operating system V2.2 or later,
- With a micro USB socket, and
- With a width between 52 mm and 73 mm.

For other Android-powered devices with a micro USB socket, you can use the dock to

- Charge your device through the supplied USB cable.

Install the CarStudio application (Fig. 8)

Note

- Make sure that the internet connection is active on your phone.

- Run the Google **Play Store** application on your phone. (Fig. 8 - 1)
- Tap **Q** to display the search interface. (Fig. 8 - 2)
- Type in **CarStudio** and then tap **Search**. (Fig. 8 - 3)
- Tap Philips **CarStudio** in the search result list. (Fig. 8 - 4)
- Tap **Install** and then **Accept & download** to start the download and installation.
 - After the download and installation is complete, the CarStudio icon is displayed in the list of applications.

Connect your phone (Fig. 9)

You can connect your phone to the dock directly or through the supplied USB cable.

Note

- Make sure that the width of your phone is between 52 mm and 73 mm.
- Before docking your phone, make sure that the dock bracket is in portrait position.

- Press **▲** to eject the dock bracket. (Fig. 9 - 1)
- Pull out the dock bracket until you see the yellow lines and hear a "click". (Fig. 9 - 2)
- Flip the dock bracket upwards. (Fig. 9 - 3)
- Press **RELEASE** to loosen the hooks. (Fig. 9 - 4)
- Flip out or hide the USB connector. (Fig. 9 - 5)
 - If the USB socket of your phone is on its bottom, flip out the USB connector.
 - If the USB socket of your phone is not on its bottom, flip the USB connector inwards to hide it.
- Switch the cushions to make sure that no buttons on any side of the phone are to be covered. (Fig. 9 - 6)
- Connect your phone to the dock with its screen facing you. (Fig. 9 - 7)
 - Connect directly. To match the USB socket of your phone, turn the USB connector by 180° as illustrated if necessary.
 - Connect through the supplied USB cable.
- Pinch the hooks to secure your phone. (Fig. 9 - 8)
- Adjust the dock bracket. (Fig. 9 - 9)

Use the CarStudio application

Note

- To use the hands-free function or play audio through the dock, connect your phone with the car audio system via Bluetooth first.
- To enjoy the latest features, update the application on your phone when an update message prompts.
- After update, the interface and features may be different from the description in this section. Follow the actual operations.

- Run the CarStudio application on your phone.
 - To switch the interface for more features, swipe on the screen.
- Tap an icon to access its feature or change settings.

Charge your phone

Once your phone is connected and recognized, the charging starts.