

Register your product and get support at

CEM2000

[www.philips.com/welcome](http://www.philips.com/welcome)

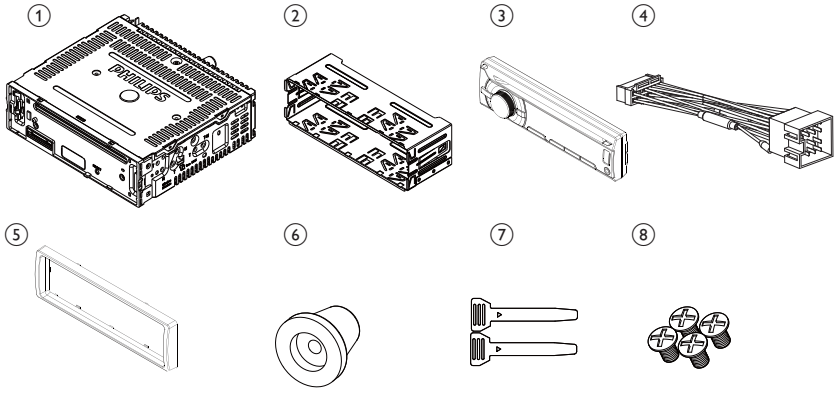


EN

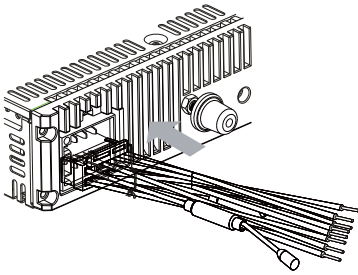
Quick Start Guide

**PHILIPS**

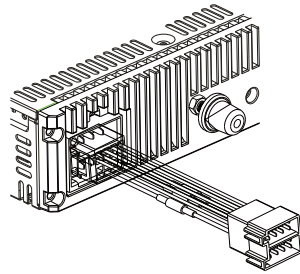
1



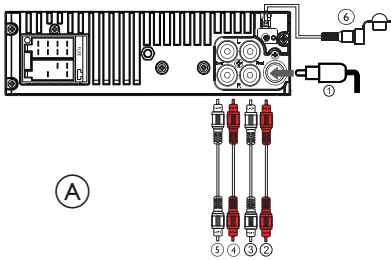
2



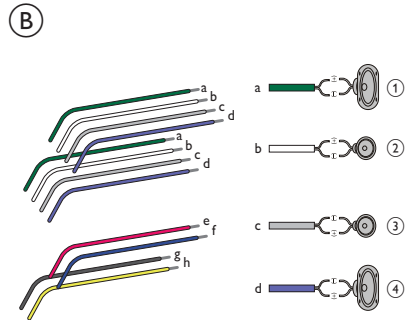
3

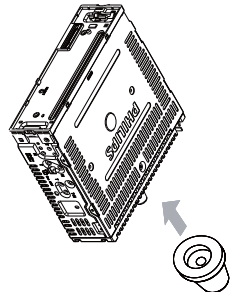
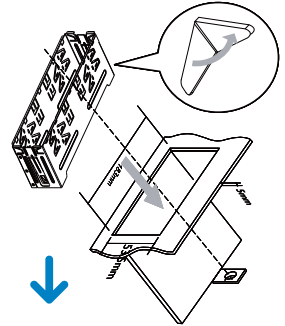
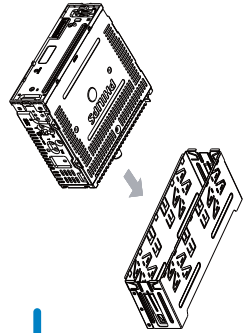
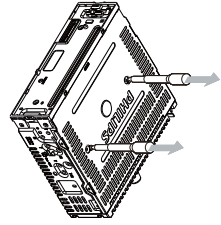
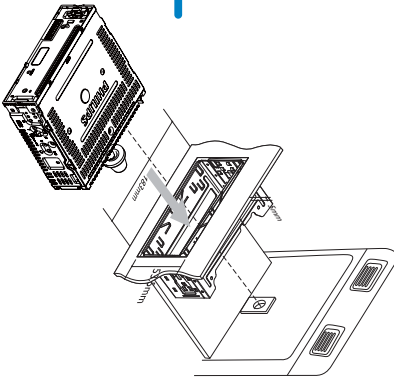
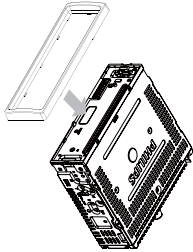
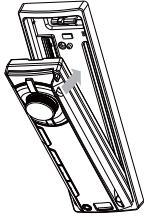
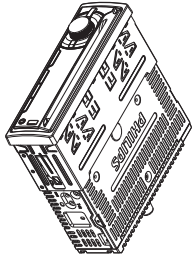


4



5





## Overview of parts 1

These are the supplied parts needed to connect and install this unit.

- ① In-car audio system
- ② Sleeve
- ③ Front panel
- ④ Standard ISO connector
- ⑤ Trim plate
- ⑥ Rubber cushion
- ⑦ Disassembly tools
- ⑧ Screws (4 pieces)

## Select country/region

- 1 Press  $\text{\textcircled{1}}$  to turn on the unit.
- 2 Rotate  $\text{\textcircled{1}}$  to select an option:
  - [USA] (United States)
  - [Latin] (Latin America)
  - [Europe] (Western Europe)
  - [ASIA] (Asia Pacific)
  - [Mid-East ] (Middle East)
  - [Russia] (Russia)
- 3 Press  $\text{\textcircled{1}}$  to confirm.

## Connection



### Caution

- Ensure that all loose leads are insulated with electrical tape.

### For cars with ISO connectors 2 3 4

- 1 Pull out the ISO connectors from car dashboard and connect them to the bigger end of the supplied standard connector.
- 2 Connect the other end of the supplied standard connector to the unit.
- 3 Connect the antenna and amplifier as illustrated, if applicable. You can connect the car audio to the amplifier through RCA-TO-RCA cables (not supplied).

	Connector	Connect to
1	ANTENNA	Antenna
2	FRONT LINE OUT R (Socket)	Front right speaker
3	FRONT LINE OUT L (Socket)	Front left speaker
4	REAR LINE OUT R (Socket)	Rear right speaker
5	REAR LINE OUT L (Socket)	Rear left speaker
6	SUBWOOFER	Subwoofer

### For cars with ISO connectors 4 5



### Caution

- Be sure to connect the black ground (earth) lead first.

- 1 Connect the antenna and amplifier as illustrated, if applicable.
- 2 Cut off the bigger end of the supplied standard connector.
- 3 Check the car's wiring carefully and connect them to the supplied standard connector.
- 4 Connect the supplied standard connector to the unit.

1	Green/black strip	Left speaker (Rear)
2	White/black strip	Left speaker (Front)
3	Gray/black strip	Right speaker (Front)
4	Purple/black strip	Right speaker (Rear)
e	RED	Ignition key +12V DC when ON/ACC
f	BLUE	Motor/electric antenna relay control lead/Amplifier relay control lead
g	BLACK	Ground
h	YELLOW	To the +12V car battery which is energized at all times

---

## Mount in the dashboard 6

- 1 If the car does not have an on-board drive or navigation computer, disconnect the negative terminal of the car battery.
  - If you disconnect the car battery in a car that has an on-board drive or navigation computer, the computer may lose its memory.
  - If the car battery is not disconnected, to avoid short-circuit, ensure that bare wires do not touch each other.
- 2 Remove the two screws on the top of the unit.
- 3 Remove the mounting sleeve with the supplied disassembly tools.
- 4 Install the sleeve into the dashboard and bend the tabs outward to fix the sleeve.
- 5 Place the supplied rubber cushion over the end of the mounting bolt.
- 6 Slide the unit into the dashboard until you hear a click sound.
- 7 Reconnect the negative terminal of the car battery.

---

## Attach the front panel 6

- 1 Attach the trim plate.
- 2 Insert the right side of the panel in the chassis until it is correctly engaged.
- 3 Press the left side of the panel until the mechanism locks it into place.

---

## Turn on

- 1 Press  $\odot$  to turn on the unit.
  - To turn off the unit, press  $\odot$  for over 3 seconds.

---

## Set clock

- 1 Press **MENU**.

- 2 Press  $\blacktriangle$  or  $\blacktriangledown$  repeatedly until currently time is displayed.
- 3 Turn  $\odot$  clockwise to set hour.
- 4 Press  $\odot$  to confirm.
- 5 Turn  $\odot$  anti-clockwise to set minute.
- 6 Press  $\odot$  to confirm.

---

## View clock

- 1 Press and hold **OPTIONS** repeatedly until the clock is displayed.

---

## Listen to radio

- 1 Press **SOURCE** repeatedly to select Tuner.
- 2 Press  $\blacktriangle$  or  $\blacktriangledown$  to select band: **[FM1]**, **[FM2]**, **[FM3]**, **[AM1]**, or **[AM2]** .
- 3 Press  $\blacktriangleleft$  or  $\blacktriangleright$  to tune to a radio station manually.
  - The radio station is broadcast.
  - To search for a radio station automatically, press  $\blacktriangleleft$  or  $\blacktriangleright$  for over 3 seconds.



© 2010 Koninklijke Philips Electronics N.V.

All rights reserved.

Document order number: CEM2000\_55\_QSG\_V2.1

