

English

Install the car audio

These instructions are for a typical installation. However, if your car has different requirements, make the corresponding adjustment. If you have any questions regarding installation kits, consult your Philips car audio dealer.

Caution

- This unit is designed for negative ground (earth) 12 V DC operation only.
- Always install this unit in the car dashboard. Other locations can be dangerous as the rear of the unit heats up during use.
- To avoid short-circuit, before you connect, ensure that the ignition is off.
- Ensure that you connect the yellow and red power supply leads after all other leads are connected.
- Ensure that all loose leads are insulated with electrical tape.
- Ensure that the leads do not get caught under screws or in parts that will move (e.g. seat rail).
- Ensure that the leads are connected to a common ground (earth) point.
- Use only the supplied mounting hardware for a safe and secure installation.
- Improper fuses can cause damage or fire. When you need to change the fuse, consult a professional.

Connect wires 1

Caution

- Ensure that all loose leads are insulated with electrical tape.

- Check the car's wiring carefully, then connect them to the supplied ISO wires.

Connector	Connect to
-----------	------------

1 Yellow wire	The +12V car battery which is live at all times.
2 Blue wire	The electric antenna control lead or power supply lead of the antenna booster. If there is no electric antenna or antenna booster, or it is manually operated telescopic antenna, it is not necessary to connect this lead.
3 Black wire	A metal surface of the car. First connect the black ground (earth) lead, then connect the yellow and red power supply leads.
4 Red wire	The +12V power terminal which is live in the accessory (ACC) position of the ignition switch. If there is no accessory position, connect to the +12V car battery terminal that is always live. Be sure to connect the black ground (earth) lead to a metal surface of the car first.
5 Green and green/black wires	Left speaker (Rear)
6 White and white/black wires	Left speaker (Front)
7 Gray and gray/black wires	Right speaker (Front)
8 Purple and purple/black wires	Right speaker (Rear)

- Connect the other end of the supplied standard connector to the car audio system.

Connector/Objeect	Connect to/with
1 Pink wire	Extension wire
2 2.5m extension wire(Not included)	Parking brake (-)
3 Brake switch	
4 Ground	
5 ISO wires	Connected in step 1 above.
6 Grey wire	Rear line out Left/Right
7 Black wire	Front line out Left/Right
8 Blue cable	Subwoofer
9 Red cable	Aux Right
10 White cable	Aux Left
11 Yellow cable	Video in
12 Yellow cable	Camera in
13 Yellow cable	Video out 1
14 Yellow cable	Video out 2
15 Purple wire	Reverse camera (B+)
16 Gearbox switch	
17 Reverse gear signal	Back lamp lead + signal

Mount in the dashboard 2

Note

- Check wire connection before you mount the unit into a car.
- If preset radio stations are lost when the ignition key is turned OFF and then back ON, reconnect the red leads crosswise to the yellow ones.

- If the car does not have an on-board drive or navigation computer, disconnect the negative terminal of the car battery.
- Ensure that car dashboard opening is within these measurements.
- Slide the unit into the dashboard until a click sound is heard.

- Attach the trim plate.
- Reconnect the negative terminal of the car battery.

Turn on

Caution

- Risk of road accidents! Never watch video or adjust settings while you drive.

- Press **Power** to turn on the unit.
 - The available OSD (On-Screen Display) languages are displayed.



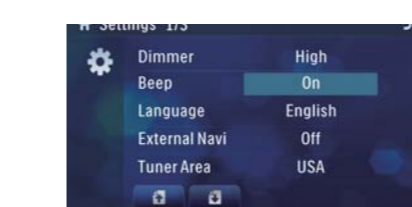
- Touch a language to select.
 - The OSD language is changed to the selected language immediately.
 - To adjust screen brightness, press **DIMMER** on the remote control, then press **▲** or **▼**.
 - To turn off the unit, press and hold **Power** for 3 seconds.

Set date and time

- Touch **Home** to display main menu.



- Touch **Settings**.
 - Setting menu displays.



- Touch **Down** to access 2nd page.
- Touch **[Date]**.



- Touch year digit to highlight this digit.
- Touch **Left/Right** to set year.
- Repeat step 4 and 5 to set month and day.

Set Time

- Touch **[Clock Time]**.
- Touch hour/minute digit to highlight the digit.
- Touch **Left/Right** to set hour/minute.

Set time format

- Touch **[Time format]** repeatedly to toggle between **[12Hr]** and **[24Hr]** options.

Tip

- When date/time is set, touch **Back** to go back to the upper level menu, or touch **Home** to go to the main menu.

Listen to Radio

- Touch **Home** to display home menu.
- Touch **[Radio]**.

Radio screen displays.



- Touch on **FM** or **AM** repeatedly on the left of the screen to select band:
 - FM band options: **FM1, FM2, FM3**
 - AM band options: **AM1, AM2**
- Briefly touch **Left/Right** to tune to a radio station by step.
 - Touch **Left/Right** for over 1 seconds to tune to a radio station automatically.

Play disc 3

You can play video, audio or images stored on the following discs:

- DVD video, DVD-R, DVD-RW
- VCD
- Audio CD, CD-R, CD-RW

Note

- Ensure that the disc contains playable content.

- Insert the disc into the disc slot with label side facing up.
 - Front panel closes automatically.
 - Play starts automatically.
 - To remove the disc, press the **▲** button.
 - When the disc is ejected, the unit switches to the previous source, if connected. Otherwise, the unit switches to **[Radio]** mode automatically.

Note

- Depends on where you bought the unit, you can play DVD discs with one of the following region codes:

Countries where you bought the unit	Supported DVD region code
China	2
Asia Pacific, Taiwan, Korea	3
Latin America	4
Russia, India	6

Play USB device 4

Note

- Ensure that the device contains playable content.

- Open the lid of USB socket.
- Insert the USB to the USB socket.
 - Play starts automatically.

Play with Bluetooth device

Pair the Bluetooth-enabled devices

To connect your Bluetooth device to the unit, you need to pair the device to the unit. Pairing needs only to be done once.

- Turn on the Bluetooth function on your device.

- Search for other Bluetooth device with your device.
- Select "CED1700" in the pairing list.
- Enter default password "0000".
 - If pairing succeeds, the dial screen displays.



Make a call

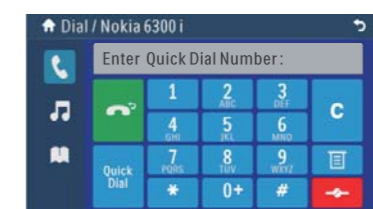
- Touch **Power** on top of the screen.
 - The dial screen displays.



- Touch number icons directly to input phone number.
- After the phone number entered, touch **Call**.
 - The unit starts dialing.

Or you can make call through quick dial:

- Touch **[QUICK DIAL]** on the dial screen.
 - The screen prompts to enter quick dial number.



- Touch a preset number on the screen.
 - The unit dials the selected preset phone number.

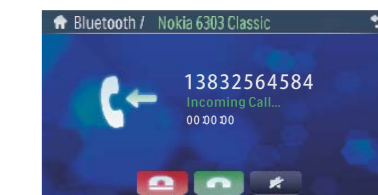
Tip

- If no quick number is preset, the screen prompts **[Empty]**.

Receive call

By default, all incoming calls are received automatically.

- If there is incoming call, **[Incoming call...]** flashes on the screen. Speak into the Bluetooth microphone.



- When conversation ends, tap **End Call** (red) to terminate the call.

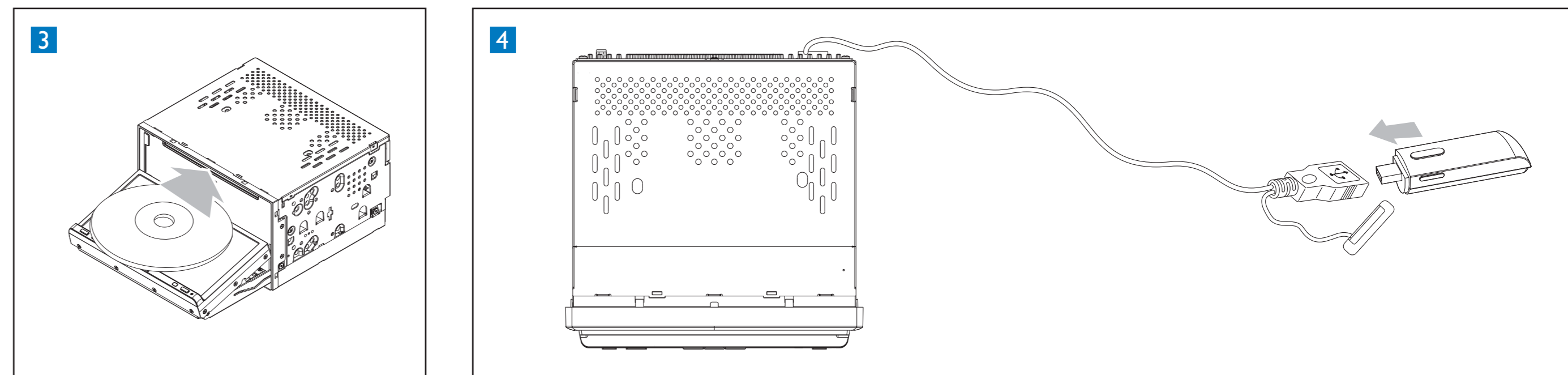
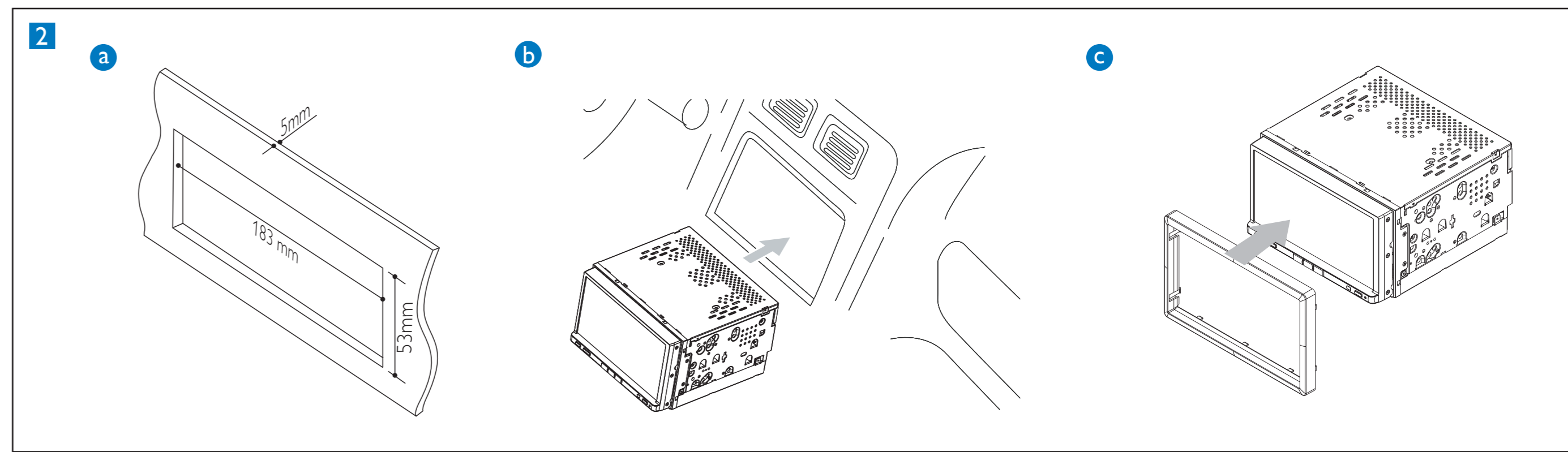
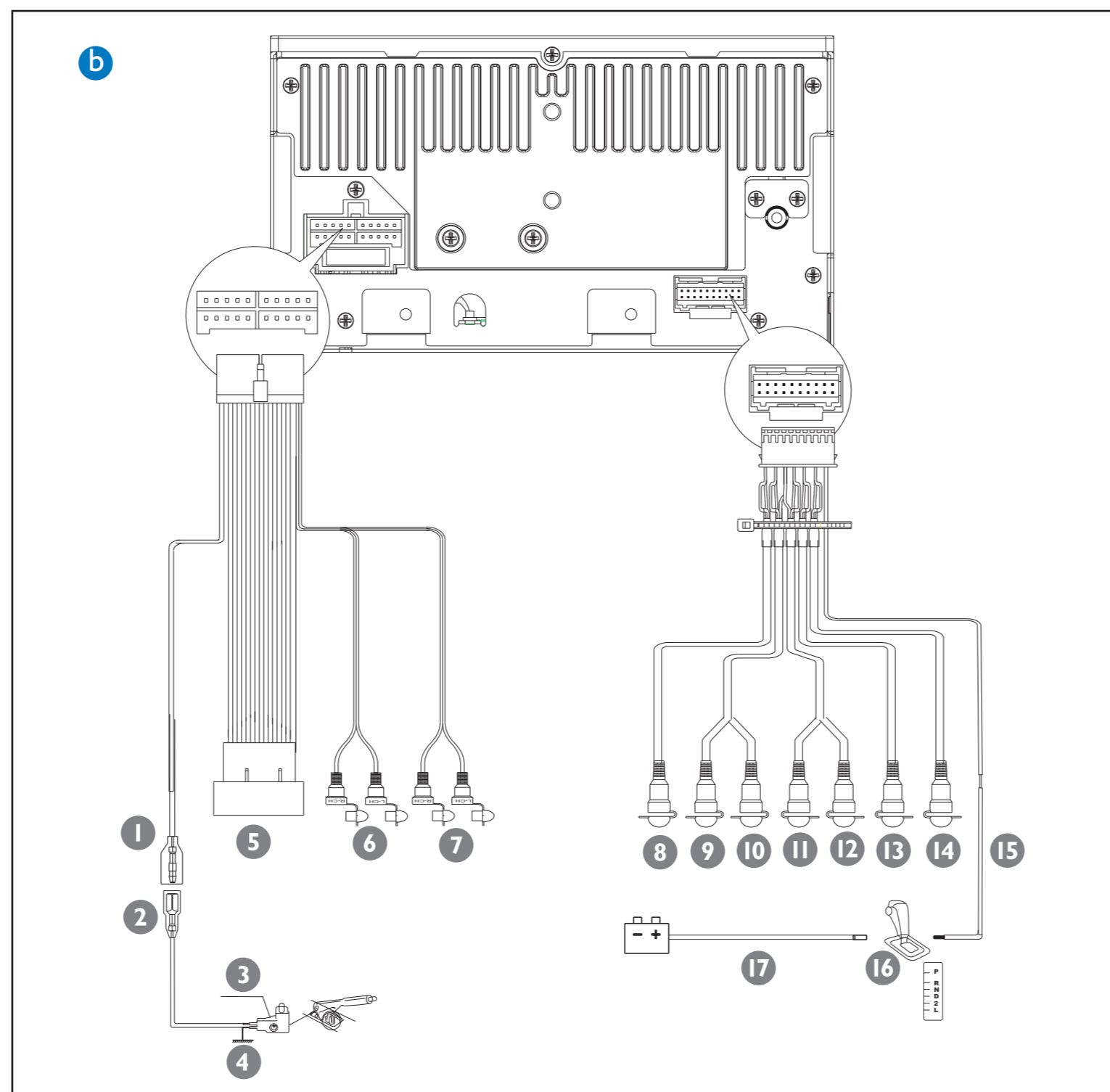
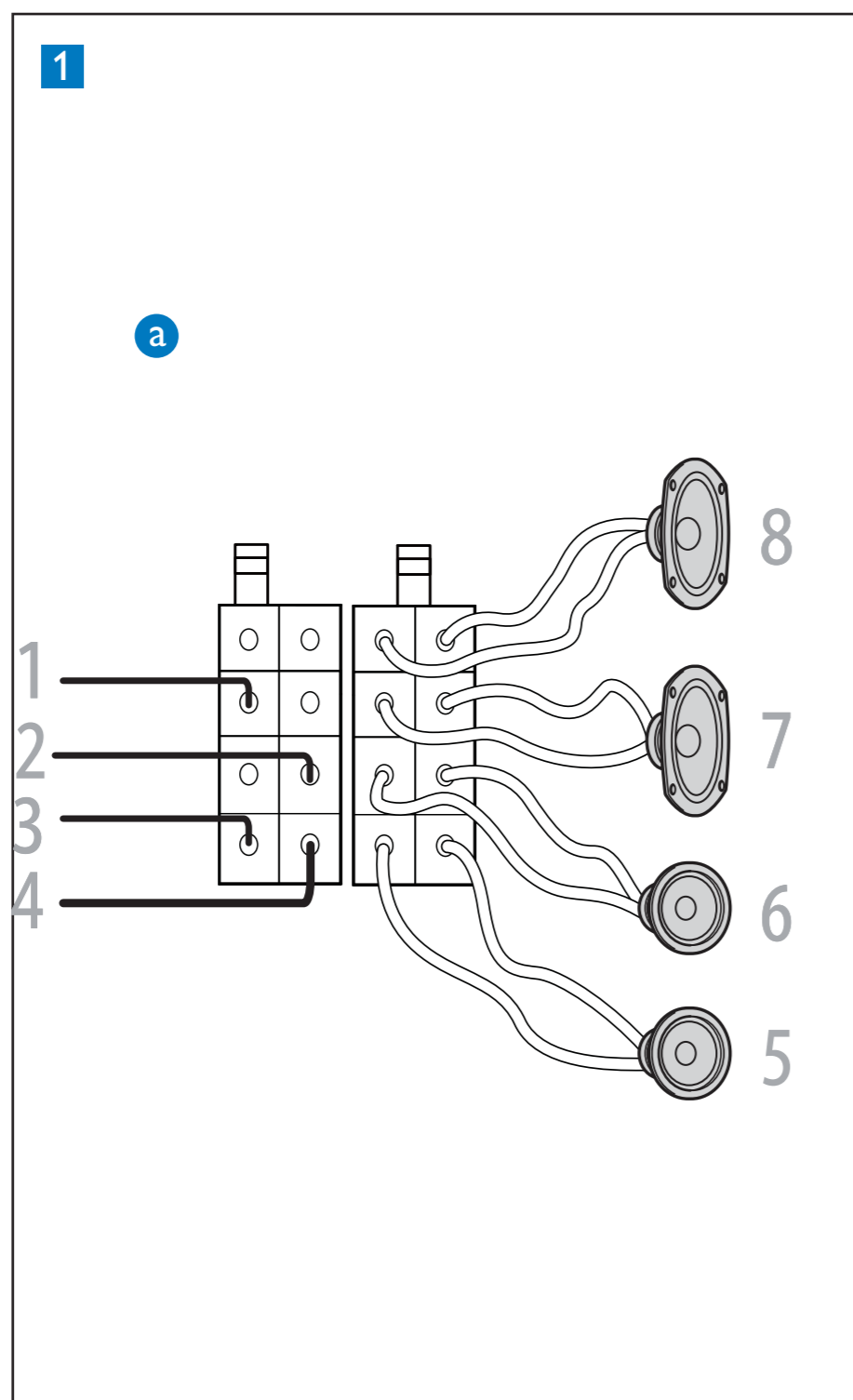
Tip

- You can select to receive calls manually by set **[Auto answer]** to **[Off]** status.



ZH-CN 快速入门指南

PHILIPS



简体中文

安装车载音响

此说明适用于典型安装。但是，如果您的汽车有不同的需要，请做相应的调整。如果遇到任何关于安装套件的问题，请咨询您的 Philips 车载音响经销商。

注意

- 根据设计，本装置只能在负极接地 12 V 直流电压下工作。
- 请务必将本装置安装在汽车仪表盘内。若安装在其它位置，则可能会因为装置在使用过程中背面发热而发生危险。
- 避免短路：连接之前，请确保点火器处于关闭状态。
- 确保连接完所有其它导线后，再连接黄色和红色电源线。
- 确保所有松散导线均已用电气胶带隔离。
- 确保在拧紧可移动部件时未将导线挂住（如座椅导轨）。
- 确保将所有地线连接至同一接地点。
- 只能使用随附的安装硬件，以确保安装安全稳固。
- 使用不适当的保险丝可能会造成损坏或引起火灾。需要更换保险丝时，请咨询专业人员。

连接导线 1

注意

- 确保所有松散导线均已用电气胶带隔离。

- 仔细检查汽车的导线，将其连接至随附的 ISO 导线。

连接器	连接至
1 黄色导线	始终可供电的 +12V 汽车电池。
2 蓝色导线	电动天线控制线或天线放大器的电源导线 如果没有电动天线或天线放大器，或者使用的是手动操作的伸缩天线，则无需连接此导线。

3 黑色导线	汽车的金属表面 先连接黑色接地导线，再连接黄色和红色电源线。
4 红色导线	位于点火开关附件 (ACC) 位置的可供电的 +12V 电源终端 如果没有该附件位置，也可连接至 +12V 汽车电池终端，此处同样可供电。确保首先将黑色接地导线连接至汽车的金属表面。
5 绿色和绿色/黑色导线	左扬声器 (后置)
6 白色和白色/黑色导线	左扬声器 (前置)
7 灰色和灰色/黑色导线	右扬声器 (前置)
8 紫色和紫色/黑色导线	右扬声器 (后置)

- 将随附的标准连接器另一端连接至车载音响系统。

接口/对象	连接设备
1 粉红色导线	延长线
2 2.5 米延长线 (未随附)	停车制动装置 (-)
3 制动开关	
4 接地	
5 ISO 线	已在上述步骤 1 中连接。
6 灰色导线	后置线出左/右
7 黑色导线	前置线出左/右
8 蓝色导线	低音扬声器
9 红色导线	右辅助装置
10 白色导线	右辅助装置
11 黄色导线	视频输入
12 黄色导线	相机输入
13 黄色导线	视频输出 1
14 黄色导线	视频输出 2
15 紫色导线	后视系统 (B+)
16 变速档开关	
17 倒车信号	倒车后视镜 +

在仪表盘中安装 2

注意

- 在本装置安装到汽车之前，请先检查导线的连接。
- 如果点火钥匙转至 OFF (关) 并转回 ON (开) 时，预设电台丢失，请将红色导线以交叉方式重新连接至黄色导线。

- 如果汽车没有车载驱动器或导航电脑，请断开汽车电池的负极。
- 确保汽车仪表盘开口在以下尺寸范围之内：
- 将装置滑入仪表盘，直至听到“咔哒”声。
- 安装调整片。
- 重新连接汽车电池的负极。

开机

注意

- 当心道路交通事故！切勿在驾驶期间观看视频或调整设置。

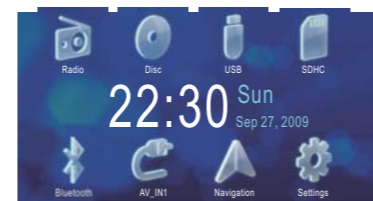
- 按 **电源** 启动本装置。
→ 屏幕上将显示可用的 OSD (屏幕显示) 语言。



- 轻触要选择的语言。
→ OSD 语言随即将更改为所选的语言。
- 要调整屏幕亮度，请按遥控器上的 DIMMER，然后按 **上** 或 **下**。
- 要关闭装置，请按住 **电源** 3 秒钟。

设置日期和时间

- 轻触 **主菜单**。



- 轻触 **[设置]**。



- 轻触 **日期**。



- 轻触年份数字突出显示此数字。
- 轻触 **左** 设置年。
- 重复步骤 4 和 5 设置月和日。

- 设置时间
- 轻触 **[Clock Time]**。
 - 轻触小时/分钟数字突出显示相应的数字。
 - 轻触 **左** 设置小时/分钟。

- 设置时间格式
- 反复轻触 **[时间格式]** 在 **[12Hr]** 和 **[24Hr]** 选项之间切换。

提示

- 设置日期/时间时，轻触 **返回** 可返回上一级菜单，轻触 **主菜单** 可进入主菜单。

收听广播

- 轻触 **主菜单**。
- 轻触 **[收音机]**。
→ 收音机屏幕显示。



- 改变轻触屏幕左侧的 FM 或 AM 选择频段：
• FM 频段选项：FM1, FM2, FM3
• AM 频段选项：AM1, AM2
- 短暂地轻触 **左** 或 **右** 可逐步调谐至所需电台。
• 轻触 **左** 或 **右** 超过 1 秒钟可自动调谐至电台。

播放光盘 3

- 您可以播放存储在以下光盘上的视频、音频或图像：
- 视频 DVD video, DVD-R, DVD-RW
 - VCD
 - Audio CD, CD-R, CD-RW

注意

- 确保光盘中包含可播放的内容。
- 将光盘插入光盘插槽，令印刷面朝上。
→ 前面板自动关闭。
→ 播放将自动开始。
→ 要取出光盘，请按 **弹出** 按钮。
→ 光盘弹出后，装置将切换至上一来源（如果已连接）。否则，装置将自动切换至 **[收音机]** 模式。

注

- 视您购买装置的国家/地区而定，您可以播放具有以下区域码之一的 DVD 光盘：

购买本装置的国家/地区	支持的 DVD 区域码
中国大陆	2
亚太地区、台湾、韩国	3
拉丁美洲	4
俄罗斯、印度	5

连接 USB 设备 4

注意

- 确保设备中包含可播放的内容。

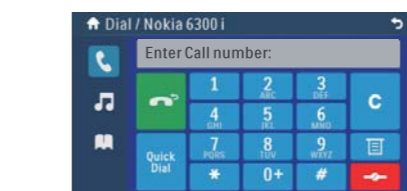
- 打开 USB 插槽盖。
- 将 USB 设备插入 USB 插槽。
→ 播放将自动开始。

用蓝牙设备播放

配对蓝牙设备

要将蓝牙设备连接至本装置，您需要将该设备与本装置配对。配对操作只需执行一次。您最多可以配对 8 台设备。

- 打开设备的蓝牙功能。
- 用您的设备搜索其他蓝牙设备。
- 选择配对列表中的“CED1700”。
- 输入默认密码“0000”。
→ 如果配对成功，拨号屏幕显示。



打电话

- 轻触屏幕上的 **电话**。
→ 拨号屏幕显示。



- 直接轻触号码图标输入电话号码。
输入电话号码之后，轻触 **电话**。
→ 装置开始拨号。

或者可以通过快速拨号拨打电话：

- 轻触拨号屏幕上的 **[QUICK DIAL]**。
→ 屏幕提示输入快速拨号号码。



- 轻触屏幕上的预设号码。
→ 装置拨打选定的预设电话号码。

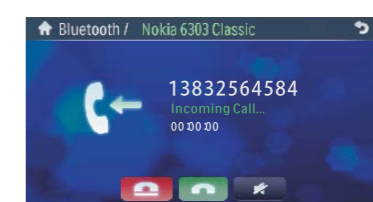
提示

- 如果没有预设快速拨号，则屏幕会提示 **[Empty]**。

接听电话

默认情况下，将自动接听所有来电。

- 如有来电，屏幕上的 **[来电...]** 将闪烁。对着蓝牙耳机讲话。



- 通话结束时，轻击 **挂断** (红色) 可终止通话。

提示

- 您可通过将 **[自动应答]** 设置为 **[关闭]** 状态以自动接听电话。