



EN	User manual	3
RU	Руководство пользователя	25

Contents

1 Important	4	8 Adjust system settings	19
Safety	4	Turn beep sound on/off	19
Notice	4	Select blackout setting	19
		Turn demo mode on/off	19
		Reset	19
2 Your car audio system	6		
Introduction	6	9 Additional information	20
What's in the box	6	Detach the front panel	20
Overview of the main unit	7	Replace fuse	20
		Remove the unit	20
3 Get started	8		
Install the car audio	8	10 Product information	21
Turn on	12		
Set clock	12	11 Troubleshooting	22
4 Listen to radio	13	12 Glossary	23
Tune to a radio station	13		
Store radio stations in memory	13		
Tune to a preset station	13		
5 Play with RDS	14		
Turn on RDS	14		
Select program type	14		
Select alternate frequencies	15		
Receive traffic announcement	15		
Set RDS clock	15		
6 Play audio files	16		
Play from USB	16		
Insert a card	16		
Play options	17		
7 Adjust sound	18		
Adjust volume	18		
Mute	18		
Turn on/off Max Sound	18		
Turn Dynamic Bass Boost (DBB)	18		
on/off	18		
Select preset equalizer	18		
Switch music listening zone	18		
Other sound settings	18		

1 Important

Safety

- Read and understand all instructions before you use your apparatus. If damage is caused by failure to follow instructions, the warranty does not apply.
- This apparatus is designed for negative ground (earth) 12 V DC operation only.
- To ensure safe driving, adjust the volume to a safe and comfortable level.
- Improper fuses can cause damage or fire. When you need to change the fuse, consult a professional.
- Use only the supplied mounting hardware for a safe and secure installation.
- To avoid short circuit, do not expose the apparatus, remote control or remote control batteries to rain or water.
- Never insert objects into the ventilation slots or other openings on the apparatus.
- Clean the apparatus and frame with a soft, damp cloth. Never use substances such as alcohol, chemicals or household cleaners on the apparatus.
- Never place any objects other than discs into the apparatus.
- Never use solvents such as benzene, thinner, cleaners available commercially, or anti-static sprays intended for discs.
- Visible and invisible laser radiation when open. Avoid exposure to beam.
- Risk of damage to the apparatus screen! Never touch, push, rub or strike the screen with any object.

! Caution

- Use of controls or adjustments or performance of procedures other than herein may result in hazardous radiation exposure or other unsafe operation.
- The apparatus shall not be exposed to dripping or splashing.

- Do not place any sources of danger on the apparatus (e.g. liquid filled objects, lighted candles).

Notice

 **Be responsible
Respect copyrights**

The making of unauthorized copies of copy-protected material, including computer programs, files, broadcasts and sound recordings, may be an infringement of copyrights and constitute a criminal offence. This equipment should not be used for such purposes.



Windows Media and the Windows logo are trademarks, or registered trademarks of Microsoft Corporation in the United States and/or other countries.

This apparatus includes this label:



Recycling



Your product is designed and manufactured with high quality materials and components, which can be recycled and reused. When you see the crossed-out wheel bin symbol attached to a product, it means the product is covered by the European Directive 2002/96/EC:



Never dispose of your product with other household waste. Please inform yourself about the local rules on the separate collection of electrical and electronic products. The correct disposal of your old product helps prevent potentially negative consequences on the environment and human health.

Your product contains batteries covered by the European Directive 2006/66/EC, which cannot be disposed of with normal household waste.

Please inform yourself about the local rules on separate collection of batteries. The correct disposal of batteries helps prevent potentially negative consequences on the environment and human health.



This product complies with the radio interference requirements of the European Community.

Environmental information

All unnecessary packaging has been omitted. We have tried to make the packaging easy to separate into three materials: cardboard (box), polystyrene foam (buffer) and polyethylene (bags, protective foam sheet.)

Your system consists of materials which can be recycled and reused if disassembled by a specialized company. Please observe the local regulations regarding the disposal of packaging materials, exhausted batteries and old equipment.

Any changes or modifications made to this device that are not expressly approved by Philips Consumer Lifestyle may void the user's authority to operate the equipment.

2011 © Koninklijke Philips Electronics N.V. All rights reserved.

Specifications are subject to change without notice. Trademarks are the property of Koninklijke Philips Electronics N.V. or their respective owners. Philips reserves the right to change products at any time without being obliged to adjust earlier supplies accordingly.

2 Your car audio system

Congratulations on your purchase, and welcome to Philips! To fully benefit from the support that Philips offers, register your product at www.philips.com/welcome.

Introduction

With the in-car audio system, you can enjoy your drive while listening to:

- FM or AM (MW) radio
- Audio from USB devices
- Audio from SD/SDHC card
- Audio from other external devices

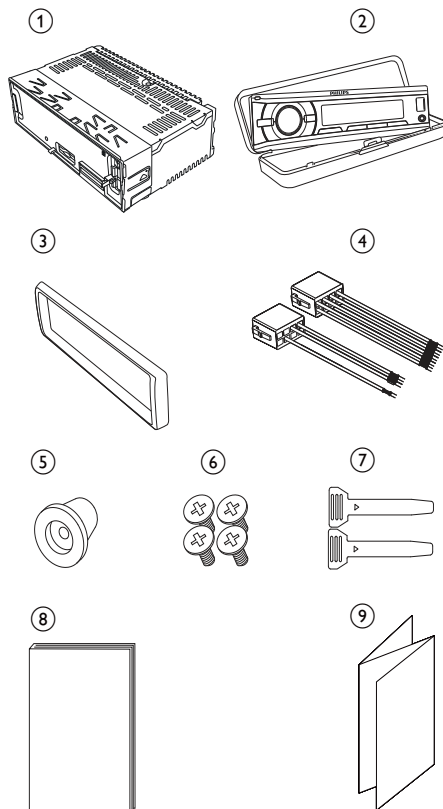
The unit supports the following media format:



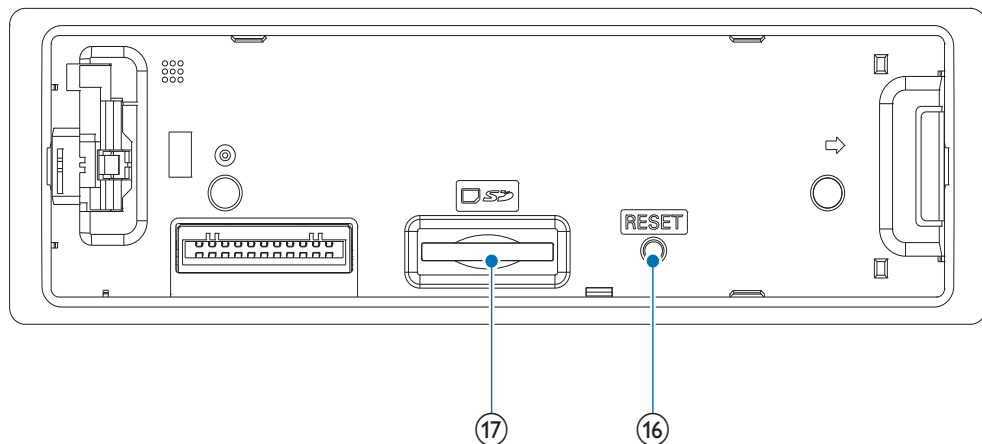
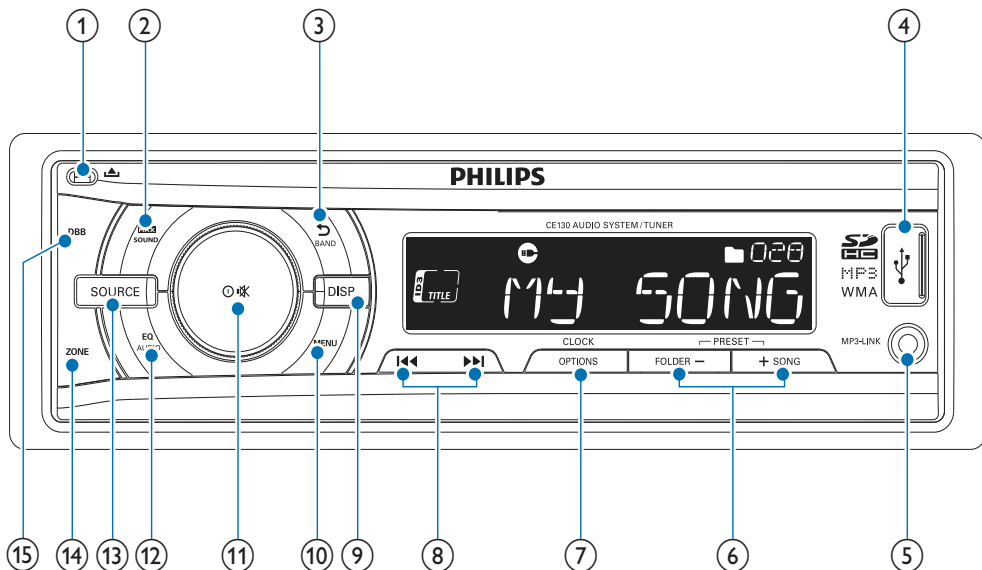
What's in the box

Check and identify the contents of your package:

- ① Main unit (with a sleeve)
- ② Carrying case (includes the front panel)
- ③ Trim plate
- ④ ISO male connector
- ⑤ Rubber cushion
- ⑥ Screws x 4 pcs
- ⑦ Disassembly tools x 2 pcs
- ⑧ User manual
- ⑨ Quick start guide



Overview of the main unit



- ①
 - Unlock the panel.
- ②
 - Turn on or off Maximizing volume.
- ③ **BAND**
 - Select tuner band.
 - Return to previous menu.
- ④
 - USB socket.
- ⑤ **MP3 LINK**
 - Connect external audio device.
- ⑥ **+SONG/FOLDER -/PRESET**
 - Select preset radio station.
 - Search for track/folder.

- ⑦ **OPTIONS/CLOCK**
 - Access option menu.
 - View clock.
- ⑧ **⏮⏪⏩⏭**
 - Tune for radio station.
 - Skip/search for track.
 - Fast forward/backward playback.
- ⑨ **DISP**
 - Display current status.
- ⑩ **MENU**
 - Access system menu.
- ⑪ **Ⓚ/Ⓜ**
 - Turn the unit on or off.
 - Confirm selection.
 - Mute or unmute sound.
 - Rotate to adjust settings.
- ⑫ **EQ AUDIO**
 - Select equalizer (EQ) setting.
 - Access audio setting menu.
- ⑬ **SOURCE**
 - Select audio source.
- ⑭ **ZONE**
 - Switch the music listening zone.
- ⑮ **DBB**
 - Turn on/off Dynamic Bass Boost (DBB) sound.
- ⑯ **RESET**
 - Restore default settings.
- ⑰ **SD card slot**

3 Get started

Caution

- Use the controls only as stated in this user manual.

Always follow the instructions in this chapter in sequence.

If you contact Philips, you will be asked for the model and serial number of your apparatus. The model number and serial number are on the bottom of your apparatus. Write the numbers here:

Model No. _____

Serial No. _____

Install the car audio

These instructions are for a typical installation. However, if your car has different requirements, make the corresponding adjustment. If you have any questions regarding installation kits, consult your Philips car audio dealer.

Caution

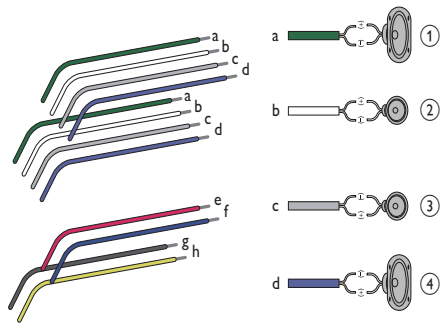
- This unit is designed for negative ground (earth) 12 V DC operation only.
- Always install this unit in the car dashboard. Other locations can be dangerous as the rear of the unit heats up during use.
- To avoid short-circuit: before you connect, ensure that the ignition is off.
- Ensure that you connect the yellow and red power supply leads after all other leads are connected.
- Ensure that all loose leads are insulated with electrical tape.
- Ensure that the leads do not get caught under screws or in parts that will move (e.g. seat rail).
- Ensure that all ground (earth) leads are run to a common ground (earth) point.
- Use only the supplied mounting hardware for a safe and secure installation.
- Improper fuses can cause damage or fire. When you need to change the fuse, consult a professional.

Note on the power supply lead (yellow)

- When you connect other devices to this system, ensure that the rating of the car circuit is higher than the total fuse value of all the connected devices.

Notes on speaker connection

- Never connect speaker wires to the metal body or chassis of the car.
- Never connect speaker wires with stripes to one another.



Connect wires: ISO male connectors

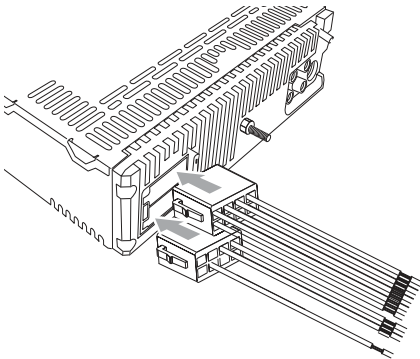
! Caution

- Ensure that all loose leads are insulated with electrical tape.

☰ Note

- Consult a professional to connect CE130 as instructed below.

- 1 Connect the supplied male connector to the unit.



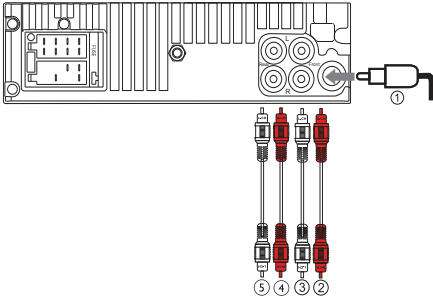
- 2 Check the car's wiring carefully and connect them to the supplied male connector.

☰ Note

- Risk of danger! Please consult a professional to perform the below steps!

1	Green/black strip	Left speaker (Rear)
2	White/black strip	Left speaker (Front)
3	Gray/black strip	Right speaker (Front)
4	Purple/black strip	Right speaker (Rear)
e	Red	Ignition key +12V DC when ON/ACC
f	Blue	Motor/electric antenna relay control lead/ Amplifier relay control lead
g	Black	Ground
h	Yellow	To the +12V car battery which is energized at all times

- 3 Connect the antenna and amplifier as illustrated, if applicable.

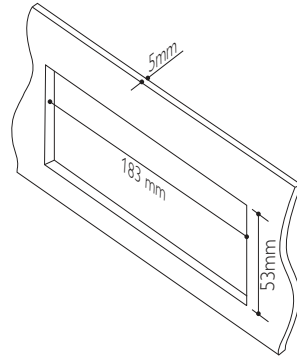


	Connector	Connect to
1	ANTENNA	Antenna
2	FRONT LINE OUT R (Socket)	Front right speaker
3	FRONT LINE OUT L (Socket)	Front left speaker
4	REAR LINE OUT R (Socket)	Rear right speaker
5	REAR LINE OUT L (Socket)	Rear left speaker

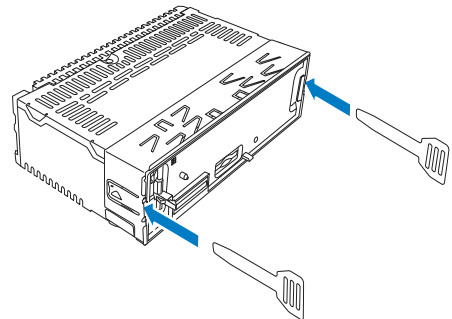
 Tip

- The pin arrangement for the ISO connectors depends on the type of vehicle you drive. Be sure to make proper connections to prevent damage to the unit.

- 2 Ensure that car dashboard opening is within these measurements:



- 3 Remove the mounting sleeve with the supplied disassembly tools.



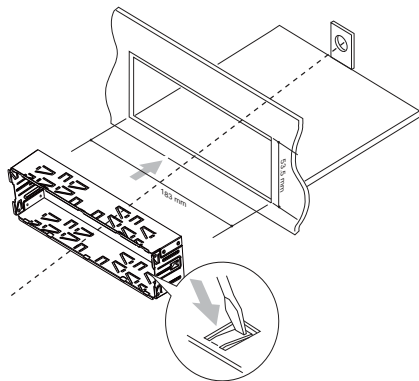
Mount into the dashboard

- 1 If the car does not have an on-board drive or navigation computer, disconnect the negative terminal of the car battery.
- If you disconnect the car battery in a car that has an on-board drive or navigation computer, the computer may lose its memory.
 - If the car battery is not disconnected, to avoid short-circuit, ensure that the bare wires do not touch each other.

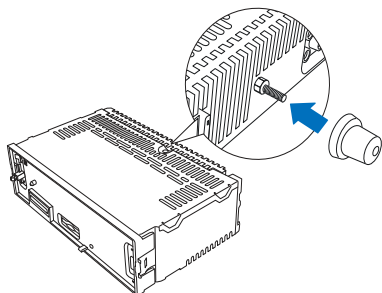
- 4 Install the sleeve into the dashboard and bend the tabs outward to fix the sleeve.

 Note

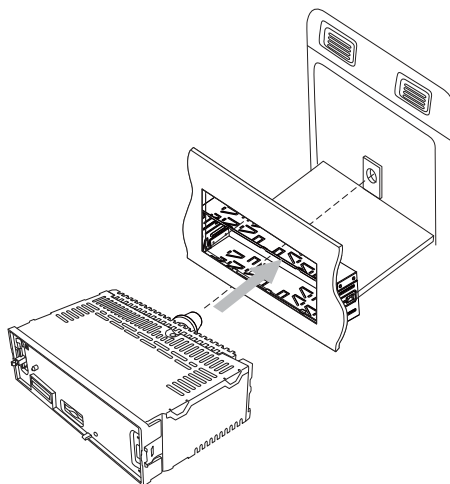
- If the unit is not fixed by sleeve but by the supplied screws, skip this step.



- 5 Place the supplied rubber cushion over the end of the mounting bolt.



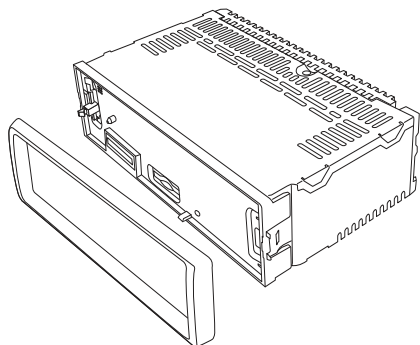
- 6 Slide the unit into the dashboard until you hear a click sound.



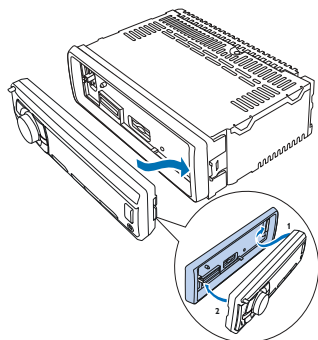
- 7 Reconnect the negative terminal of the car battery.

Attach the front panel

- 1 Attach the trim plate.



- 2 Insert the right side of the panel in the chassis until it is correctly engaged.



- 3 Press the left side of the panel until it is locked into place.

Turn on

- 1 Press **⏻** to turn on the unit.
 - To turn off the unit, press **⏻** for over 3 seconds.

Set clock

- 1 Press **MENU**.
- 2 Press **⏮** repeatedly until the current time is displayed.
- 3 Rotate **⌚** clockwise to set hour.
- 4 Press **⌚** to confirm.
- 5 Rotate **⌚** counterclockwise to set minute.
- 6 Press **⌚** to confirm.

View clock

- 1 Press and hold **⏻** repeatedly until the clock is displayed.

4 Listen to radio

Tune to a radio station

- 1 Press **SOURCE** repeatedly to select radio mode.
- 2 Press **BAND/↵** to select band: **[FM1]**, **[FM2]**, **[FM3]**, **[AW1]** or **[AW2]** .
- 3 Press **◀◀** or **▶▶** to tune to a radio station manually.
 - ↳ The radio station is broadcast.
 - ↳ To search for a radio station automatically, press **◀◀** or **▶▶** for over 3 seconds.

Select tuner region

You can select suitable country/region of the radio.

- 1 Press **SOURCE** to select Radio mode.
- 2 Press **MENU**.
- 3 Press **◀▶▶** repeatedly until **[AREA]** displays.
- 4 Rotate **⊖** to select:
 - **[USA]**
 - **[LATIN]**
 - **[Europe]**
 - **[OIRT]**

Select tuner sensitivity

To receive more radio stations or only stations with strong signal, you can adjust the tuner sensitivity.

- 1 Press **OPTIONS** repeatedly to select **[LOCAL SEEK]**.
- 2 Rotate **⊖** to select a setting:
 - **[LOCAL SEEK ON]**: Only stations with strong signal can be broadcast.
 - **[LOCAL SEEK OFF]**: Stations with strong and weak signals can be broadcast.

Store radio stations in memory

You can store up to 6 stations in each band.

Store stations automatically

- 1 Press **OPTIONS** repeatedly until **[AUTO-STORE]** displays.
- 2 Press **⊖** to confirm.
 - ↳ The six strongest stations of the selected band are saved in preset channel automatically.

Store stations manually

- 1 Tune to a station that you want to store. (see 'Tune to a preset station' on page 13)
- 2 Press and hold **+/PRESET** or **-/RRESET** to enter storing mode.
 - ↳ The preset number starts to blink..
- 3 Press **+/PRESET** or **-/RRESET** to select radio channel.
- 4 Press **⊖** to confirm.
 - ↳ The station is saved in the selected channel.
 - ↳ The preset number on LCD screen lights up and remains on.

Tune to a preset station

- 1 Press **BAND/↵** to select band.
- 2 Press **+/PRESET** or **-/RRESET** to select the preset station.

5 Play with RDS

The RDS (Radio Data System) function operates only in areas with FM stations broadcasting RDS signals. If you tune to an RDS station, an RDS icon and information about the presenter, station or program is displayed.

Turn on RDS

Note

- The default setting for RDS is off.

- 1 Press **MENU** repeatedly until **[RDS]** is displayed.
- 2 Rotate \odot to select **[RDS ON]**:
↳ The RDS function is turned on.

Select program type

Before tuning to RDS stations, you can select program type and let the unit search only for programs of the selected category.

- 1 Press **OPTIONS** repeatedly until **[PTY]** is displayed.
- 2 Turn \odot to select a type, then press \odot to confirm.

Item	Program type	Description
1	NEWS	News services
2	AFFAIRS	Politics and current affairs
3	INFO	Special information programs
4	SPORT	Sports
5	EDUCATE	Education and advanced training
6	DRAMA	Radio plays and literature
7	CULTURE	Culture, religion and society
8	SCIENCE	Science
9	VARIED	Entertainment programs
10	POP M	Pop music
11	ROCK M	Rock music
12	EASY M	Light music
13	LIGHT M	Light classical music
14	CLASSICS	Classical music
15	OTHER M	Special music programs
16	WEATHER	Weather
17	FINANCE	Finance
18	CHILDREN	Children's programs
19	SOCIAL	Social Affairs
20	RELIGION	Religion
21	PHONE IN	Phone In
22	TRAVEL	Travel
23	LEISURE	Leisure
24	JAZZ	Jazz Music
25	COUNTRY	Country Music
26	NATION M	National Music
27	OLDIES	Oldies Music
28	FOLK M	Folk Music
29	DOCUMENT	Documentary
30	TEST	Alarm Test
31	ALARM	Alarm

Select alternate frequencies

If the radio signal is poor, turn on AF (Alternate Frequency) to search for another station with stronger signal.

- 1 Press **MENU** or **OPTIONS** repeatedly until **[AF]** is displayed.
- 2 Rotate \odot to select a setting:
 - **[AF ON]**: Turn on the AF mode.
 - **[AF OFF]**: Turn off the AF mode.

Set region for AF tuning

You can define AF tuning region:

[REG ON]	Only stations in current region can be tuned to automatically.
-----------------	--

[REG OFF]	All stations can be tuned to automatically.
------------------	---

- 1 Press **MENU** repeatedly until **[REG]** (Regional Radio) is displayed.
- 2 Rotate \odot to select a setting.

Receive traffic announcement

If you do not want to miss traffic announcement when enjoying music, turn on the TA (Traffic Announcement) function.

- 1 Press **MENU** or **OPTIONS** repeatedly until **[TA]** is displayed.
- 2 Rotate \odot to select a setting:
 - **[TA ON]**: When there is traffic announcement, the unit switches to the tuner mode (regardless of the current mode) and begins to broadcast the traffic conditions. When the traffic announcement is over, it returns to the previous mode.
 - **[TA OFF]**: Traffic announcement does not cut in.

Set RDS clock

You can use time signal that is broadcast together with the RDS signal to set the clock of the unit automatically.

- 1 Press **MENU** repeatedly until **[CT]** is displayed.
- 2 Rotate \odot to select a setting:
 - **[CT ON]**: Turn on the RDS clock. Time shown on the unit synchronizes with that on the RDS station.
 - **[CT OFF]**: Turn off the RDS clock.



Tip

- The accuracy of the transmitted time depends on the RDS station that transmits the time signal.

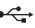
6 Play audio files

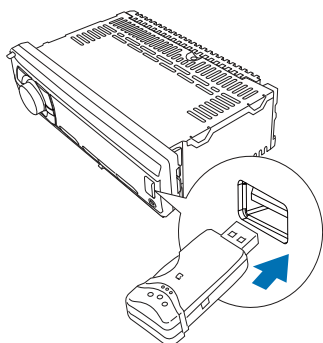
Play from USB

Note


- Ensure that the USB device contains playable music.

Insert the USB device

- 1 Slide the USB socket cover marked  to the left.
- 2 Insert the USB device into the USB socket.
↳ The unit starts to play from the USB device automatically.




Remove the USB device

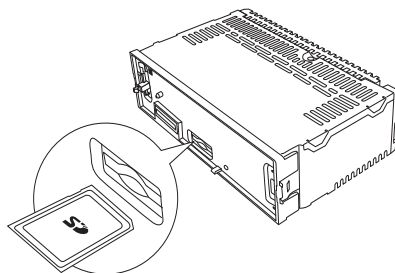
- 1 Press  to turn off the unit.
- 2 Remove the USB device.

Insert a card


Note

- This unit supports SD and SDHC cards.

- 1 Press  to release the panel.
- 2 Push the left side of the panel rightward, then pull the panel towards you to disengage it from the chassis.
- 3 Insert the card into the card slot.
↳ The unit starts playing from the card automatically.



Remove the card

- 1 Press  to turn off the unit.
- 2 Press the card until you hear a click sound.
↳ The card is now disengaged.
- 3 Remove the card.

Play options

- To pause, press \odot .
- To resume play, press \odot again.
- To skip to the previous/next track, press **⏮**/**⏭**.
- To search backward/forward rapidly within the current track, press **⏮**/**⏭** for 3 seconds.

Search for an MP3/WMA track

Search within the current folder

- 1 Press **+SONG**.
↳ The name of the current track is displayed.
- 2 Rotate \odot to select another track in current folder.
- 3 Press \odot to confirm.

Search in other folder

- 1 Press **FOLDER -**.
↳ The name of the current folder is displayed.
- 2 Rotate \odot to navigate through all folders.
- 3 Press \odot to access the selected folder.
- 4 Rotate \odot to select a track in the folder.
- 5 Press \odot to start play.



Tip

- To go back to upper level of a folder, press **↶**.

View play information

- 1 During playing, press **DISP** repeatedly to view:
 - Track number and elapsed play time
 - Folder
 - File
 - Title
 - Album
 - Artist

Repeat play

- 1 During play, press **OPTIONS** repeatedly until **[REPEAT]** is displayed.
- 2 Rotate \odot to select a setting.
 - **[REPEAT ALL]**: play all tracks repeatedly.
 - **[REPEAT TRK]**: play current track repeatedly.
 - **[REPEAT FLD]**: play all tracks in the current folder repeatedly.

Shuffle play

You can play the tracks in random order:

- 1 During play, press **OPTIONS** repeatedly until **[RANDOM]** is displayed.
- 2 Rotate \odot to select a setting:
 - **[RANDOM OFF]**: Turn off random play.
 - **[RANDOM FLD]**: start random play for all tracks in the current folder.
 - **[RANDOM ALL]**: start random play for all tracks.

Intro play

You can play the first 10 seconds of each track.

- 1 During play, press **OPTIONS** repeatedly until **[INTRO]** is displayed.
- 2 Rotate \odot to select a setting:
 - **[INTRO OFF]**: Cancel intro play and start normal play.
 - **[INTRO FLD]**: Start intro play in the current folder.
 - **[INTRO ALL]**: Play the first 10 seconds of each track.

Connect external sound source

- 1 Connect the external sound source to **MP3 LINK** socket with a 3.5 mm cable.
- 2 Press **SOURCE** repeatedly until **[MP3 LINK]** is displayed.
- 3 Operate the external component (refer to the instructions supplied with the external component).

7 Adjust sound

Adjust volume

- 1 Turn \odot clockwise/counter-clockwise to increase/decrease volume.

Mute

You can turn off the sound of your audio.

- 1 During play, press \odot .
 - To resume sound, press \odot again.

Turn on/off Max Sound

- 1 Press **MAX SOUND**.
 - ↳ The current setting is displayed.
 - ↳ **[MAX ON]**: The maximum sound (max sound) function is on.
 - ↳ **[MAX OFF]**: The maximum sound function is off.

Turn Dynamic Bass Boost (DBB) on/off

- 1 Press **DBB** and the current setting is displayed:
 - ↳ **[DBB ON]**: The Dynamic Bass Boost (DBB) function is on.
 - ↳ **[DBB OFF]**: The DBB function is off.
- 2 Press **DBB** again to change the DBB setting.

Select preset equalizer

- 1 Press **EQ/Audio**.
 - ↳ Current Equalizer setting is displayed.

- 2 Press **EQ/Audio** again to select a preset EQ setting:
 - **[OPTIMAL]** (optimal)
 - **[FLAT]** (flat)
 - **[POP]** (pop)
 - **[USER]** (user)
 - **[TECHNO]** (techno)
 - **[ROCK]** (rock)
 - **[CLASSIC]** (classic)
 - **[JAZZ]** (jazz)

Switch music listening zone

Philips' innovative Zone technology enables driver or passengers to enjoy music with the best speakers balance and experience more vivid spatial effect as the artist is intended to create. You can switch the music listening zone from driver to passengers for the best speaker sound settings in car.

- 1 Press **ZONE**.
 - ↳ The current setting is displayed.
- 2 Rotate \odot to select a setting:
 - **[ZONE ALL]**
 - **[FRONT]**
 - **[F. LEFT]** (Front left)
 - **[F. RIGHT]** (Front right)
- 3 Press **OK** to confirm the selection.

Other sound settings

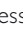
You can also adjust the preset **EQ/Audio** settings.

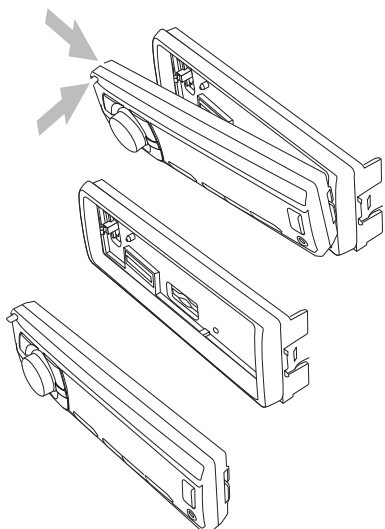
- 1 Press **EQ/Audio** for 3 seconds.
- 2 Press **◀▶▶▶** repeatedly to select the item to be adjusted:
 - **[BAS]** (Bass) range: -7 to +7
 - **[TRE]** (Treble) range: -7 to +7
 - **[BAL]** (Balance) range: 12L to 12R. (L = left speaker, R = right speaker)
 - **[FAD]** (Fader) range: 12R to 12F. (R = rear speaker, F = front speaker)
- 3 Rotate \odot to select a value/option.

9 Additional information

Detach the front panel

You can detach the front panel to deter theft.

- 1 Press  to release the panel.
- 2 Push the left side of the panel rightward.

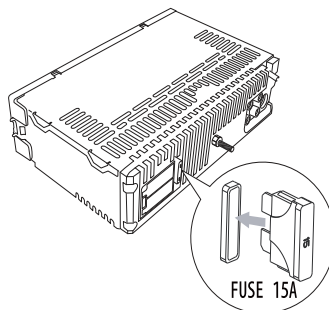


- 3 Pull the panel towards you to disengage it from the chassis.
- 4 Store the panel in the supplied carry case to protect it from dirt or damage.

Replace fuse

If the fuse is damaged,

- 1 Check the electric connection.
- 2 Buy a fuse that matches the voltage of the damaged fuse.
- 3 Replace the fuse.



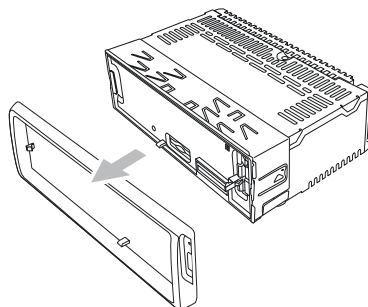
Note

- If the new fuse gets damaged again, there may be an internal malfunction. Consult your Philips dealer.

Remove the unit

You can remove the unit from the dashboard.

- 1 Detach the front panel and the trim plate.
- 2 Pull out the unit by using the disassembly tools.



10 Product information

Note

- Product information is subject to change without prior notice.

Power supply	12 V DC (11 V - 16 V), negative ground
Fuse	15 A
Suitable speaker impedance	4 - 8 Ω
Maximum power output	45 W \times 4 channels
Continuous power output	22 W \times 4 RMS (4 Ω 10% T.H.D.)
Pre-Amp output voltage	2.5 V
Aux-in level	\geq 500 mV
Dimensions (W \times H \times D)	188 \times 58 \times 140 mm
Weight	0.8 kg

Radio

Frequency range	
- FM	87.5 - 108.0 MHz
- ORIT	65 - 74 MHz
Frequency range	522 - 1620 KHz (9 kHz)
- AM (MW)	530 - 1710 kHz (10 kHz)
Usable sensitivity	
- FM	8 μ V
Usable sensitivity	
- AM(MW)	30 μ V

Compatible USB devices:

- USB flash memory: USB 1.1 host with interface reading all speed support (1.1, 2.0)
- USB flash players: USB 1.1 host with interface reading all speed support (1.1, 2.0)
- Memory cards (SD / SDHC)

Supported formats:

- USB or memory file format: FAT16, FAT32 (maximum capacity of USB/SD card is 16 GB)
- MP3 bit rate (data rate): 32-320 Kbps and variable bit rate
- WMA V4, V7, V8, V9 (L1, L2)
- ISO9660, Joliet
- Maximum title number: 512 (depending on file name length)
- Maximum album number: 255
- Supported sampling frequencies: 2 kHz, 44.1 kHz, 48 kHz
- Supported Bit-rates: 2~256 (kbps), variable bit rates
- Directory nesting up to a maximum of 8 levels
- Number of albums/ folders: CD maximum 99, USB maximum 199
- Number of tracks/titles: maximum 999
- ID3 tag v2.0 to v2.4
- File name in Unicode UTF8 (maximum length 64 bytes)

11 Troubleshooting

Caution

- Never remove the casing of this apparatus.

To keep the warranty valid, never try to repair the system yourself.

If you encounter problems when using this apparatus, check the following points before requesting service. If the problem remains unsolved, go to the Philips web site (www.philips.com/support). When you contact Philips, ensure that your apparatus is nearby and the model number and serial number are available.

No power or no sound.

- Car engine is not on. Turn the car engine on.
- Cable is not correctly connected. Check connections.
- Fuse is burnt. Replace fuse.
- Volume is too low. Adjust volume.
- If the above solutions cannot help, press the RESET button.
- Ensure that the track played is of a compatible format.

Noise in broadcasts.

- Signals are too weak. Select other stations with stronger signals.
- Check the connection of the car antenna.
- Change broadcast from Stereo to mono.

Preset stations lost.

- Battery cable is not correctly connected. Connect the battery cable to the terminal that is always live.

Display show ERR-12

- USB data error. Check the USB device.

Display show ERR-3

- USB/SD data error.

12 Glossary

M

MP3

A file format with a sound data compression system. MP3 is the abbreviation of Motion Picture Experts Group 1 (or MPEG-1) Audio Layer 3. With the MP3 format, one CD-R or CD-RW can contain about 10 times more data than a regular CD.

R

RDS (Radio Data System)

RDS tuners can automatically tune in stations according to the types of music (or talk) they broadcast. RDS also enables a receiver to display text messages and even graphics (usually call letters and format information) that many FM stations include on a sub-carrier signal within their normal broadcast signal. Some RDS equipped tuners can even override with traffic alerts or emergency broadcasts, during playback of other media - CD MD, or cassette. There are other useful features too, many of which are offered by the growing number of RDS stations.

S

SD

Secure Digital. A type of memory card with a flash memory.

SDHC

Secure Digital High Capacity (SDHC) is a type of flash memory card based on the SDA 2.00 specification. The SDA 2.00 specification enables SD cards to reach higher capacities from 4GB to 32GB, and growing.

W

WMA (Windows Media Audio)

An audio format owned by Microsoft, is a part of Microsoft Windows Media technology. Includes Microsoft Digital Rights Management tools, Windows Media Video encoding technology, and Windows Media Audio encoding technology.

