

Car Power Amplifier

Service
Service
Service

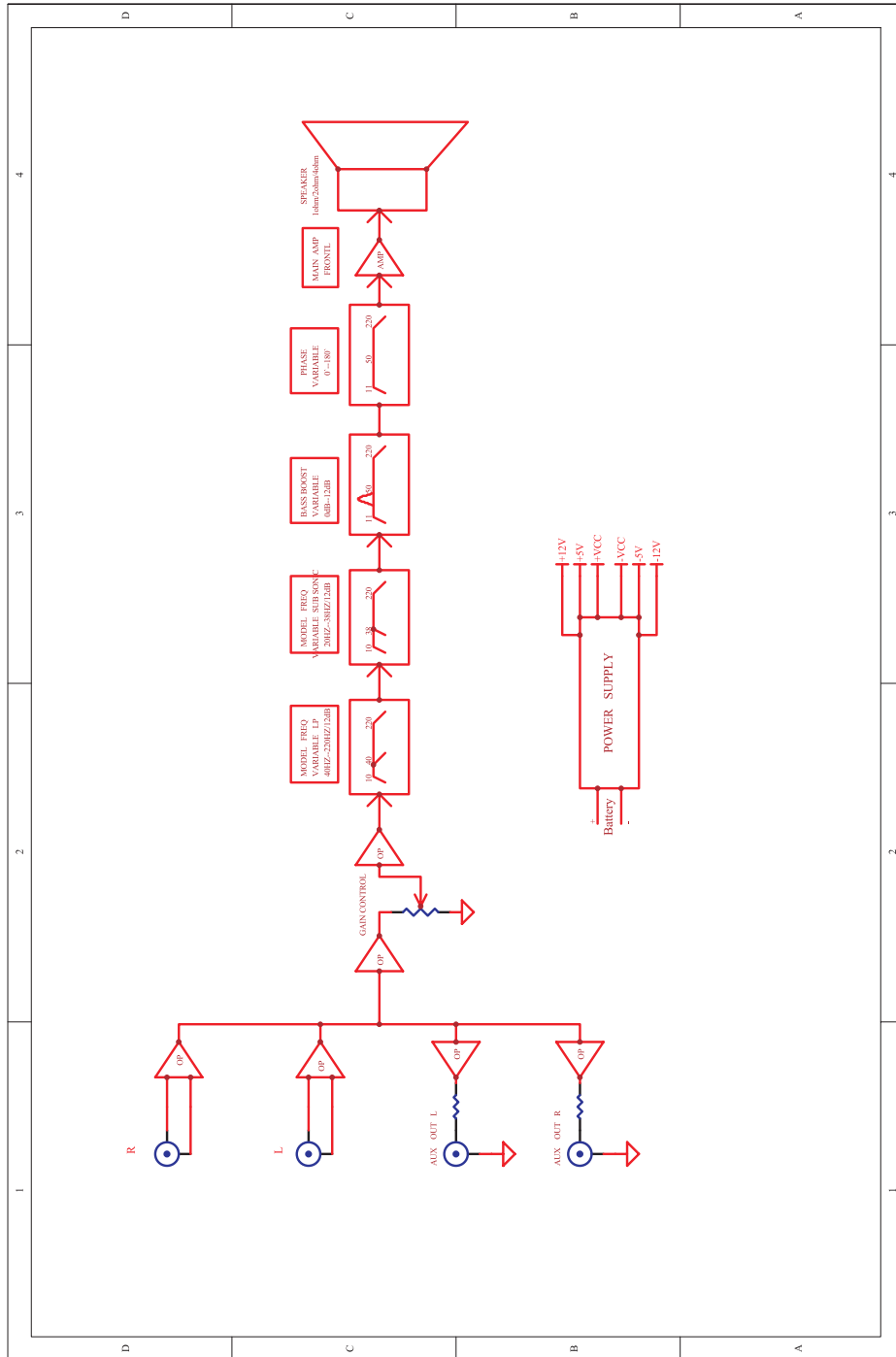
NGTD 1200.1

Service Manual

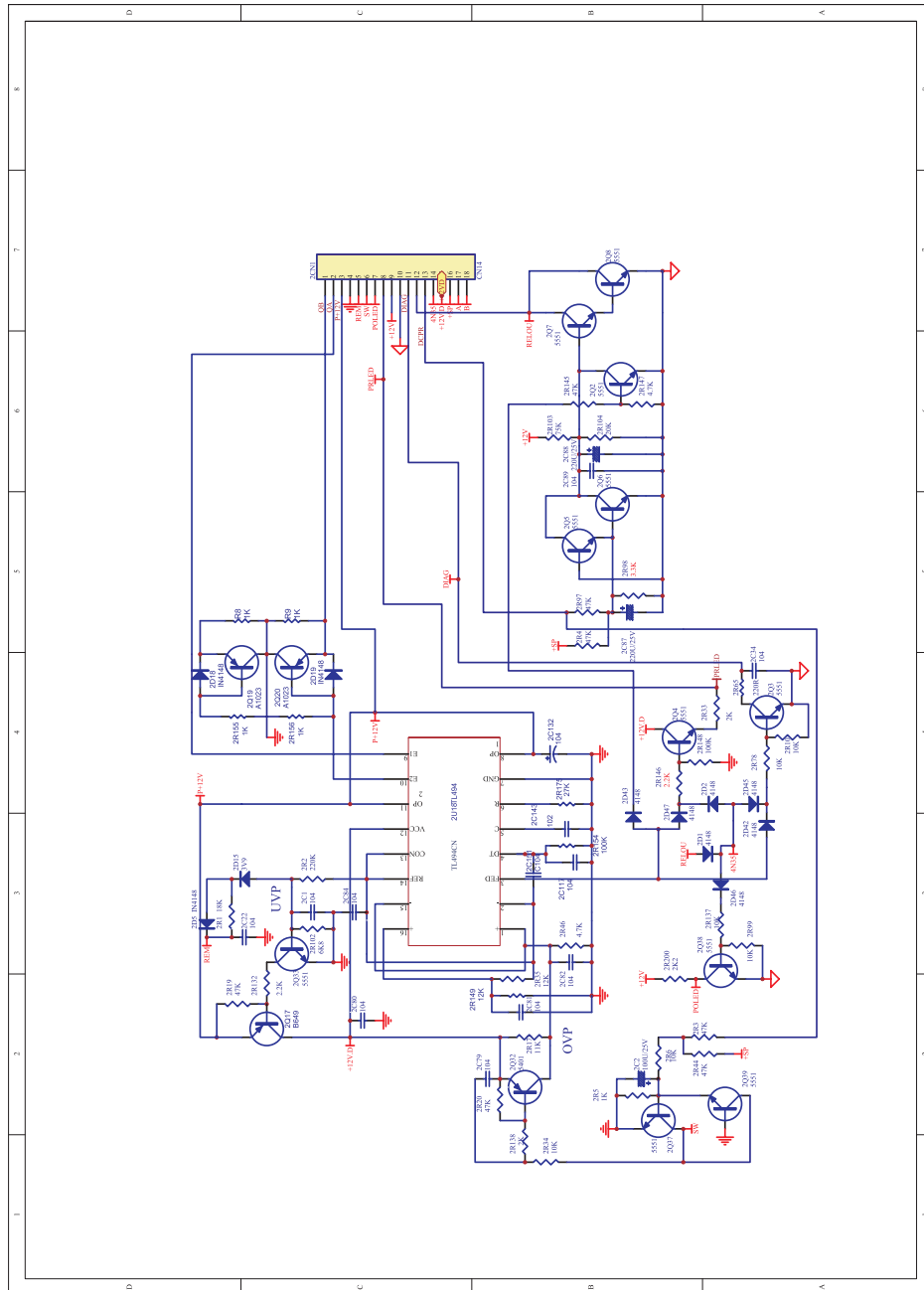
Specifications

1. SPECIFICATIONS	1
2. SCH BLOCK DIAGRAM.....	2
3. SCHEMATIC DIAGRAM.....	3-6
4. AMPLIFIER PCB.....	7-9
POWER PCB	7
SHEE PCB	8-9
5. PACKAGING EXPLODED DRAWING.....	10
6. MECHANICAL EXPLODED VIEW	11

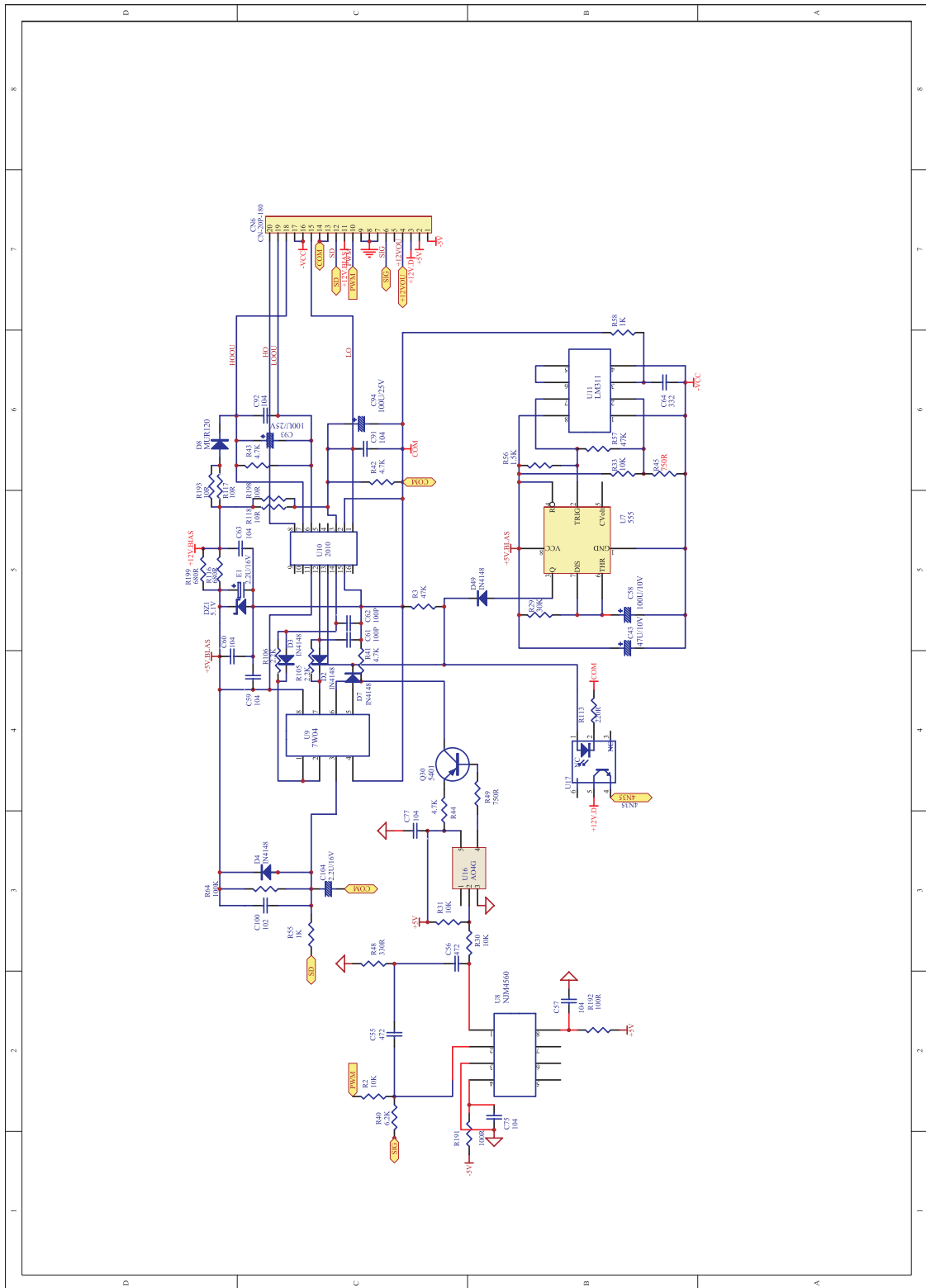
Sch Block Diagram



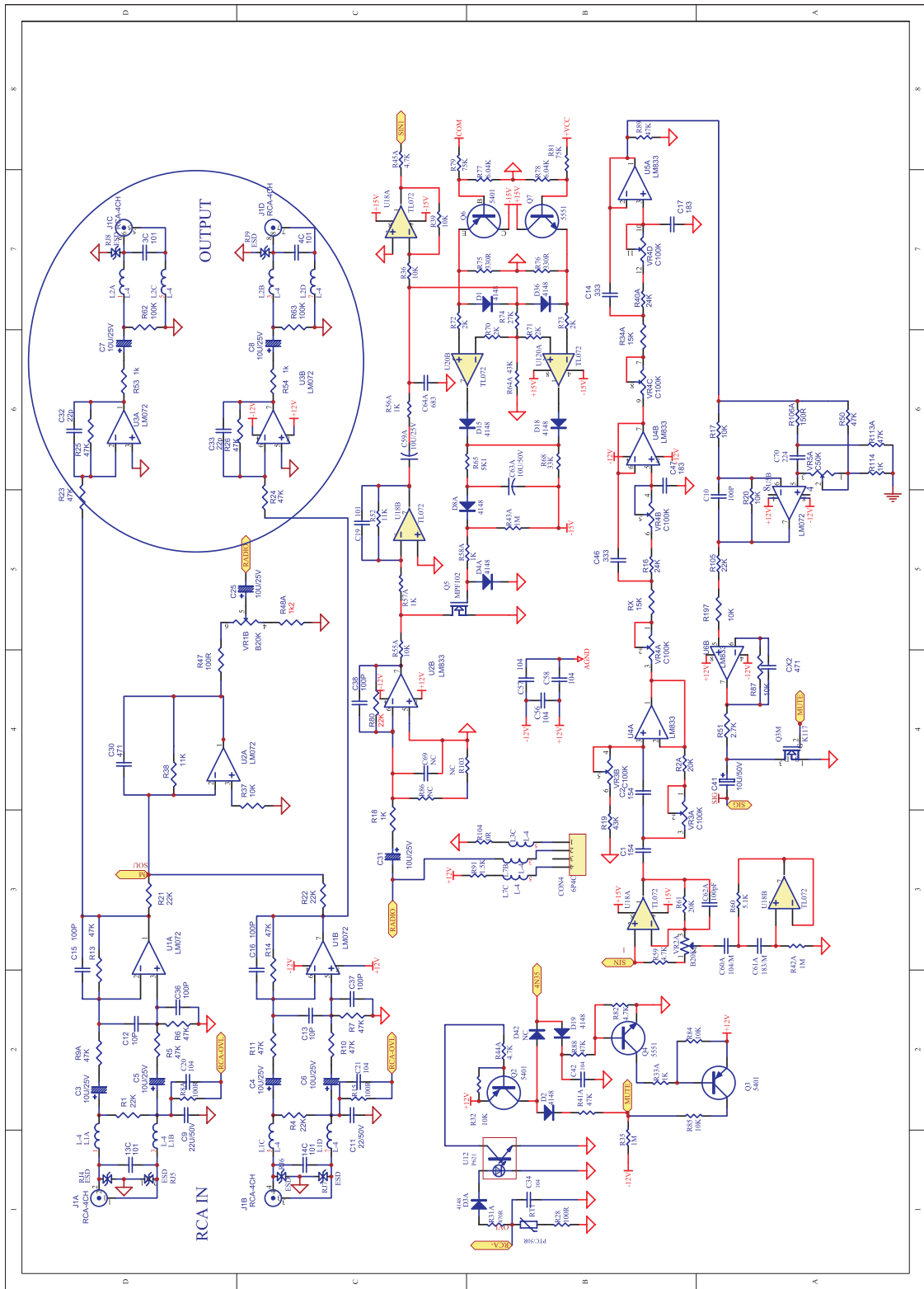
Schematic Diagram



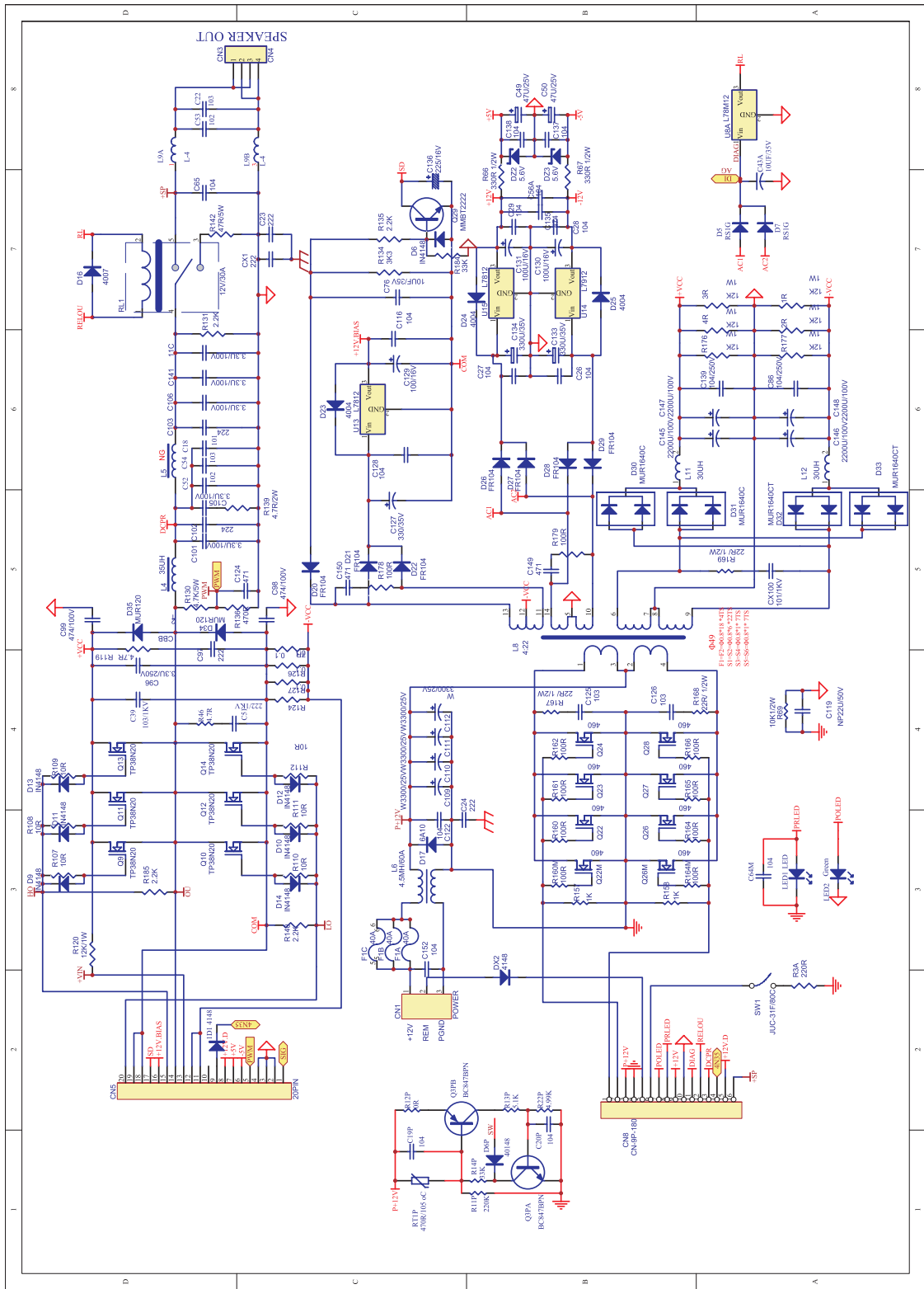
Schematic Diagram



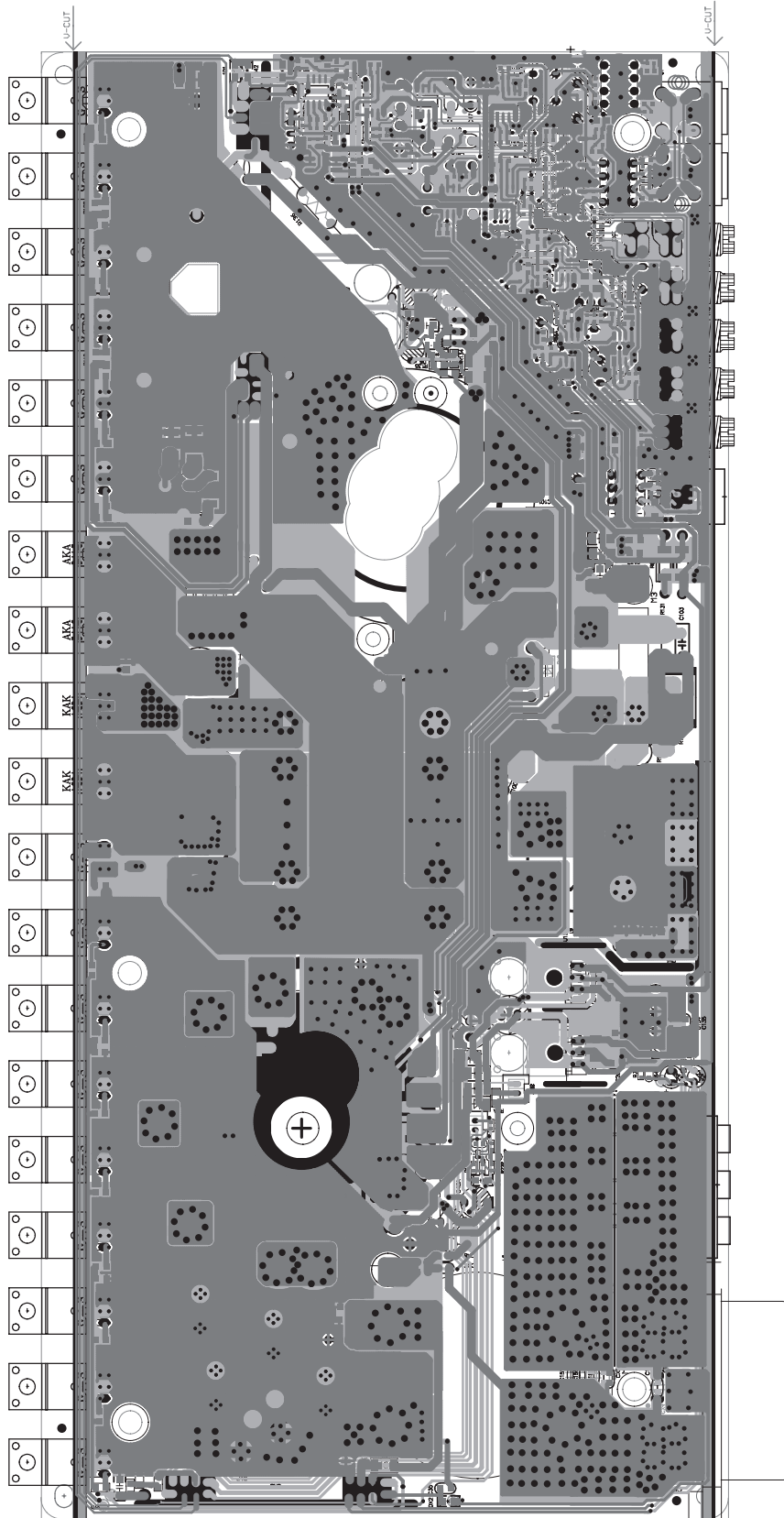
Schematic Diagram



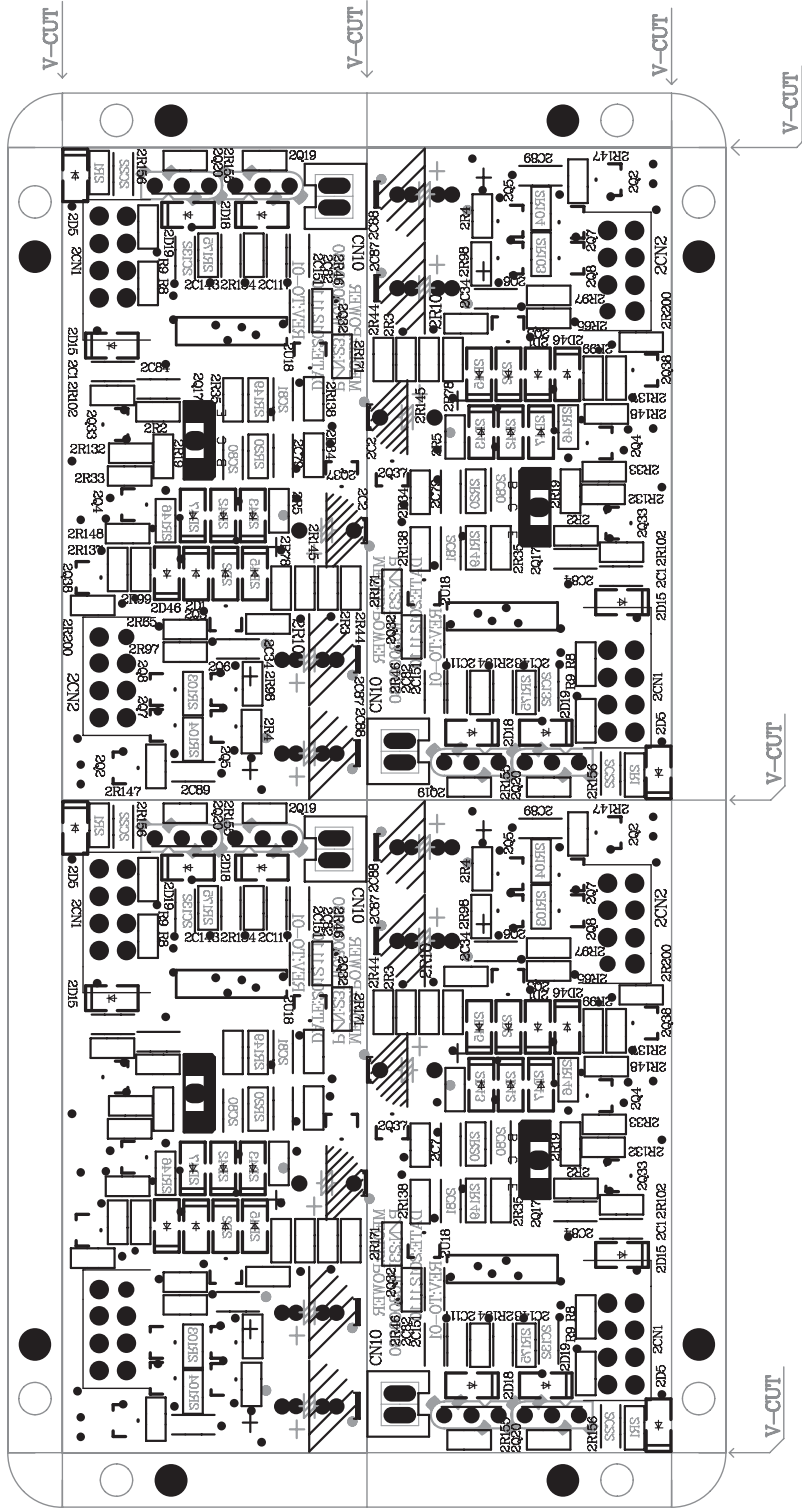
Schematic Diagram



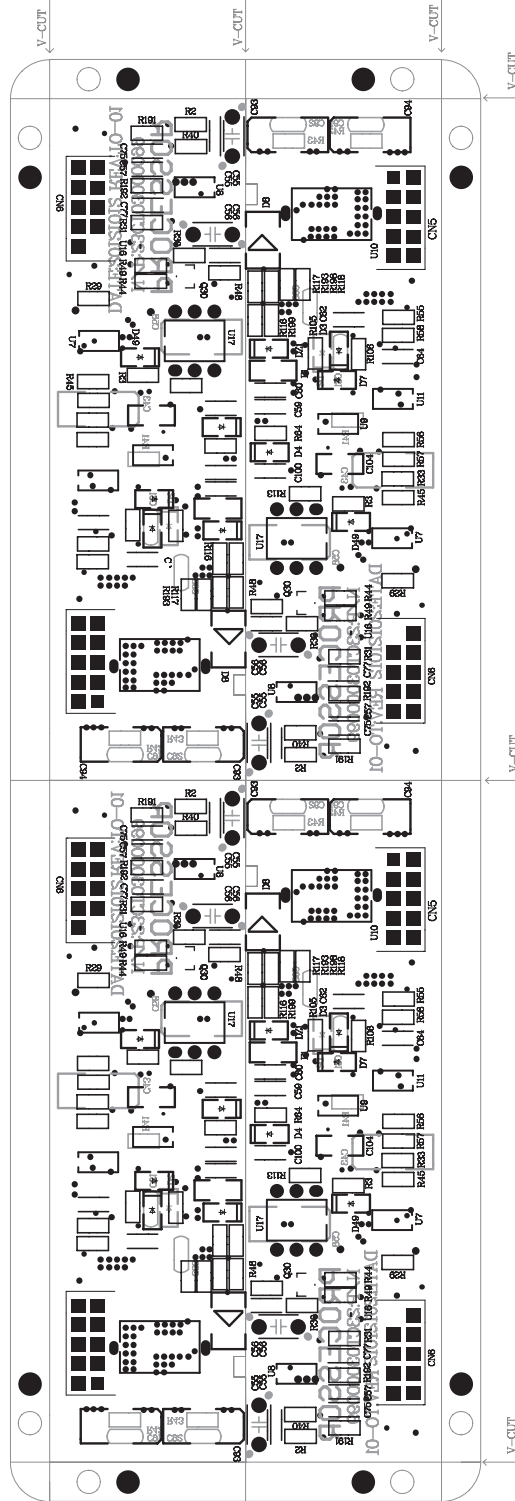
POWER PCB



SHEE PCB

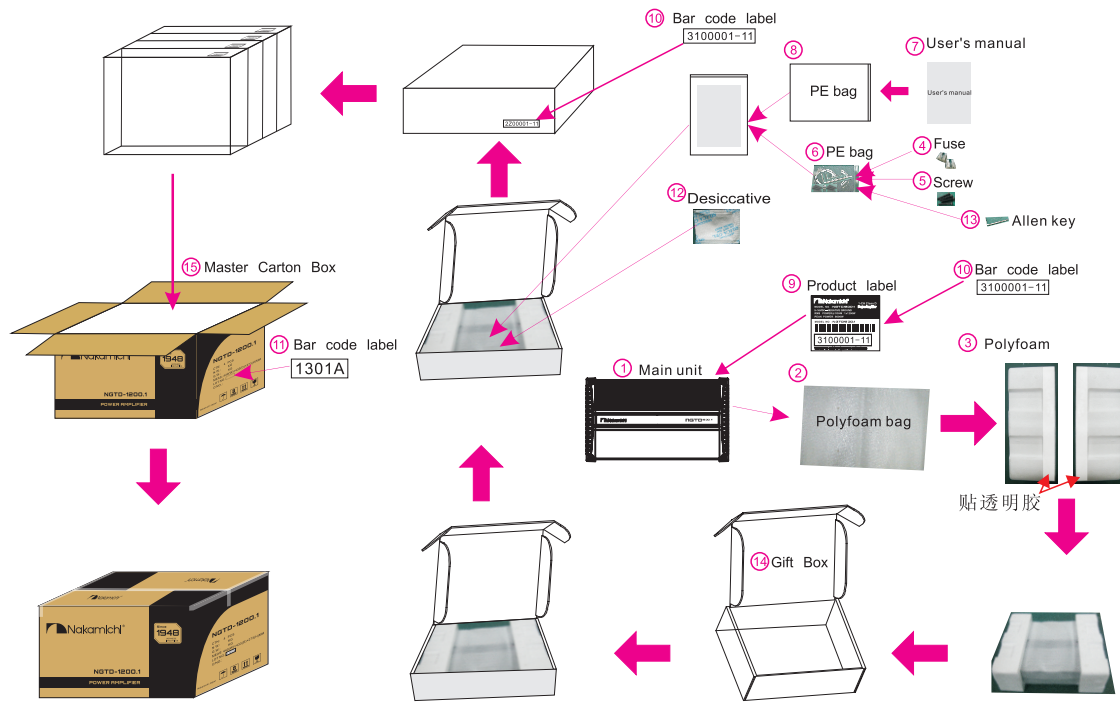


SHEE PCB



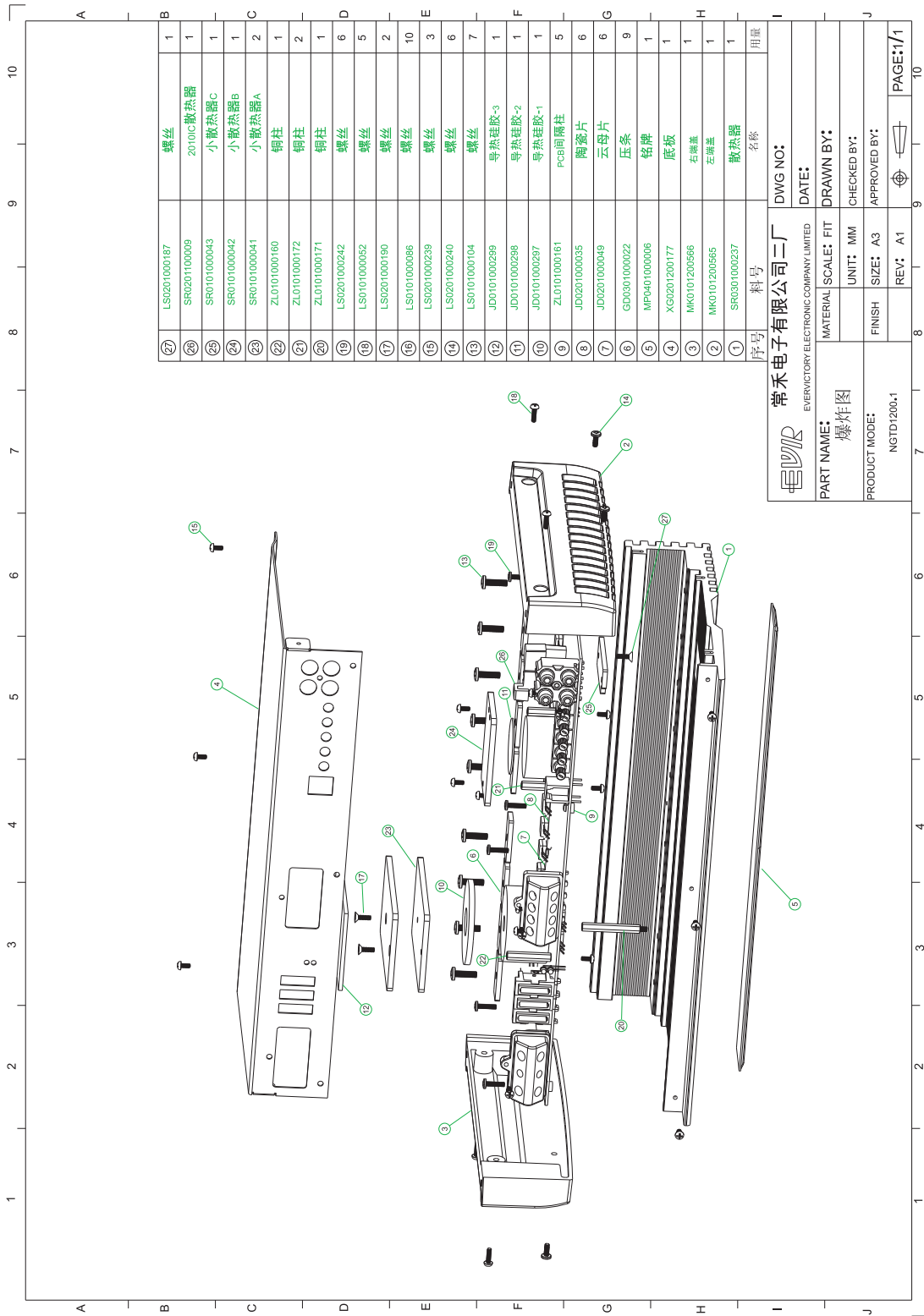
Packaging exploded Drawing

NGTD1200.1 Packaging exploded Drawing



NO.	Part No	Part Name	QTY	REMARK
(1)	ANGTD12M0002	Main unit	1	
(2)	BZ0102000142	Polyfoam bag	1	
(3)	BZ0902000119	Polyfoam	2	因为机器重，所以要粘透明胶！
(4)	140203000018	Fuse	3	
(5)	LS0201000083	Screw	4	
(6)	BZ0302000009	PE bag	1	
(7)	LP0102000707	User's manual	1	
(8)	BZ0302000003	PE bag	1	装说明书
(9)	TZ0102000411	Product label	1	
(10)	Tz0302000688	Bar code label	2	50*10mm
(11)	TZ0302000687	Bar code label	3/4	30*10mm
(12)	LP0202000004	Desiccative	1	
(13)	LP0401000005	Allen key	1	
(14)	CH0102000399	Gift Box	1	
(15)	WX0302000368	Master Carton Box	1/4	

Mechanical Exploded View




常禾电子有限公司二厂
 EVERVICTORY ELECTRONIC COMPANY LIMITED
 PART NAME: 爆炸图
 MATERIAL: SCALE: FIT
 UNIT: MM
 FINISH: SIZE: A3
 REV: A1
 DWG NO: NGTD1200.1
 DATE:
 DRAWN BY:
 CHECKED BY:
 APPROVED BY:
 PAGE: 1/1