

Car Power Amplifier

Service
Service
Service

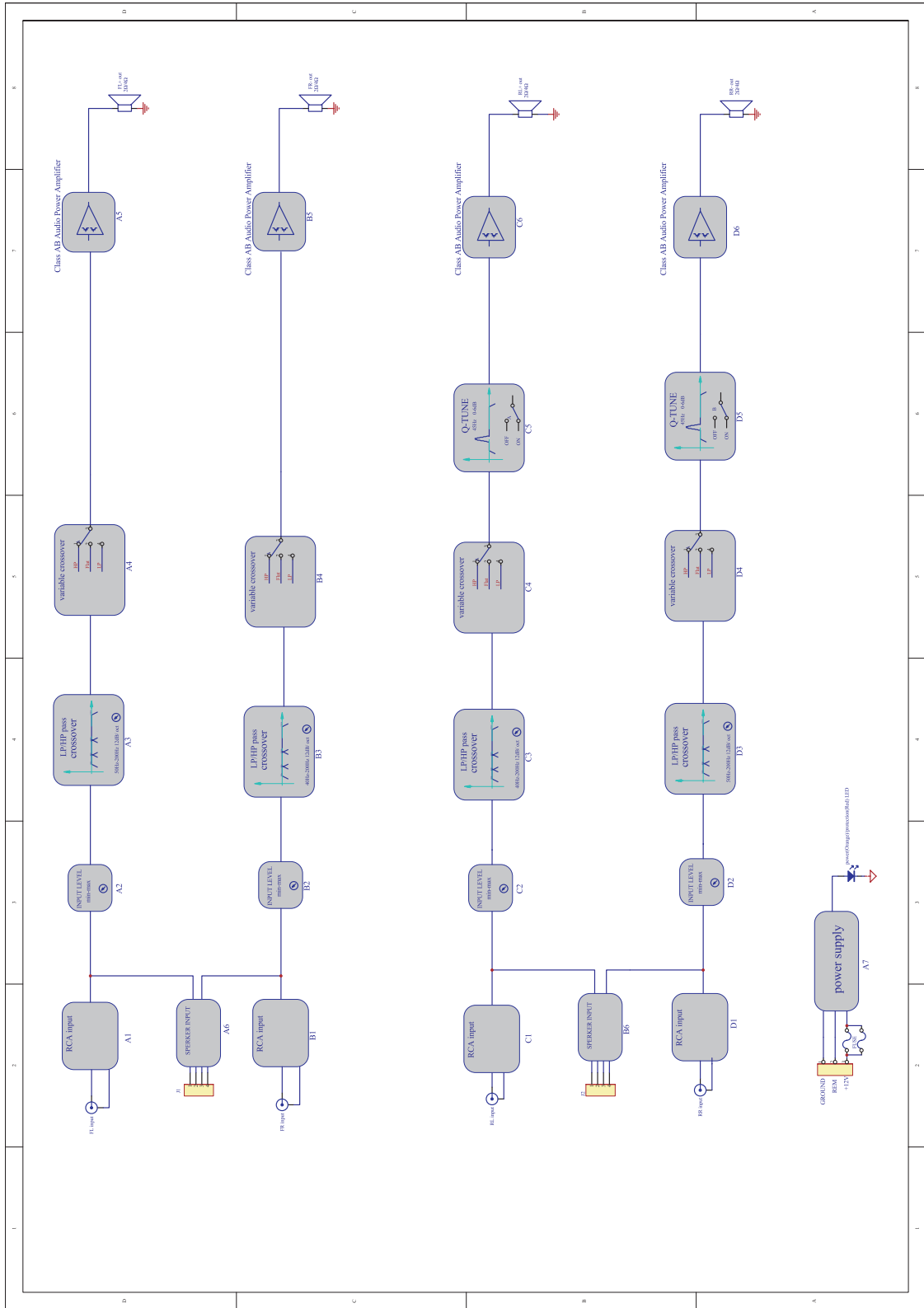
NGTA704

Service Manual

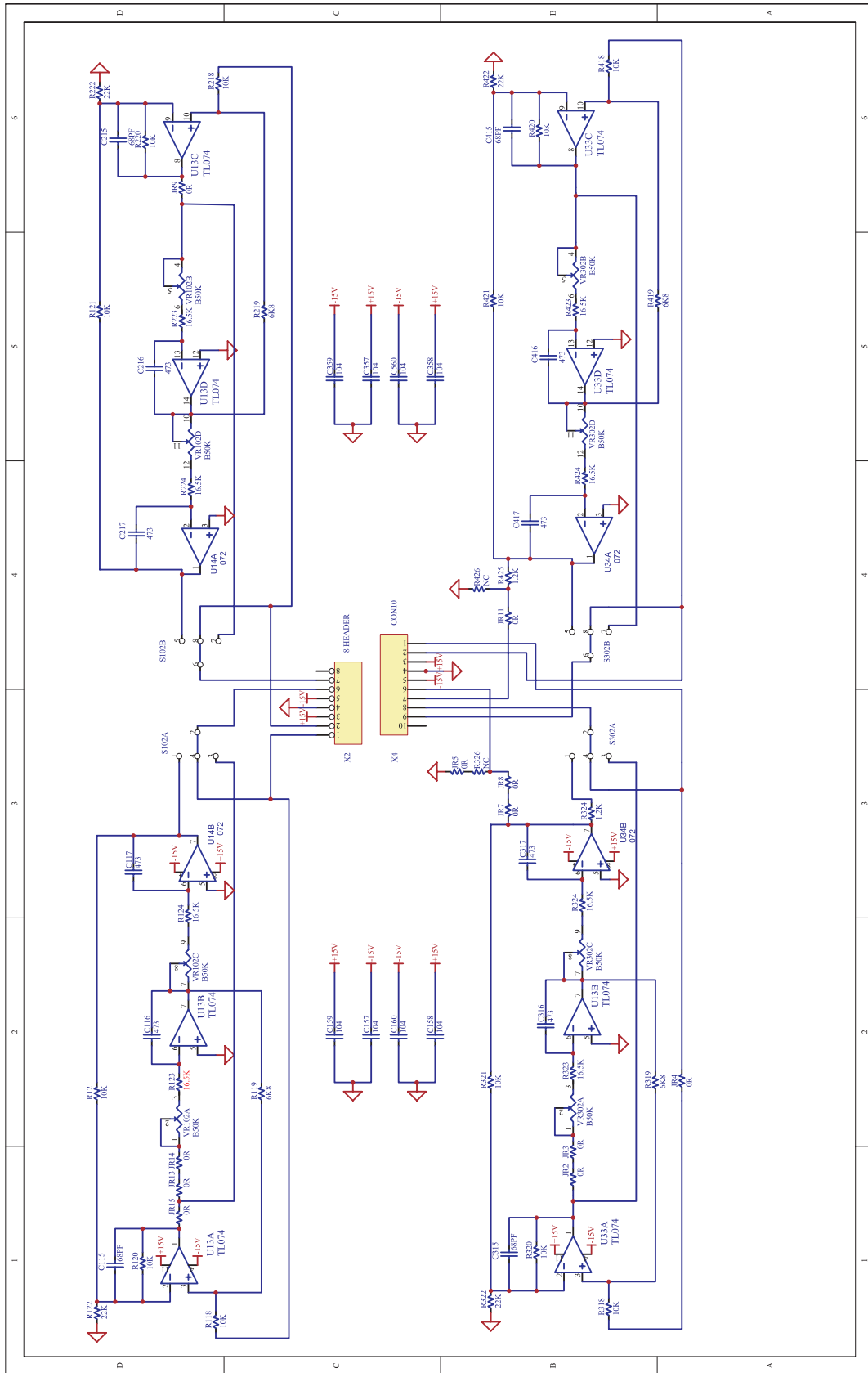
Specifications

1. SPECIFICATIONS	1
2. SCH BLOCK DIAGRAM.....	2
3. SCHEMATIC DIAGRAM.....	3-8
4. AMPLIFIER PCB.....	9-10
POWER PCB	9
SHEE PCB	10
5. PACKAGING EXPLODED DRAWING.....	11
6. MECHANICAL EXPLODED VIEW	12

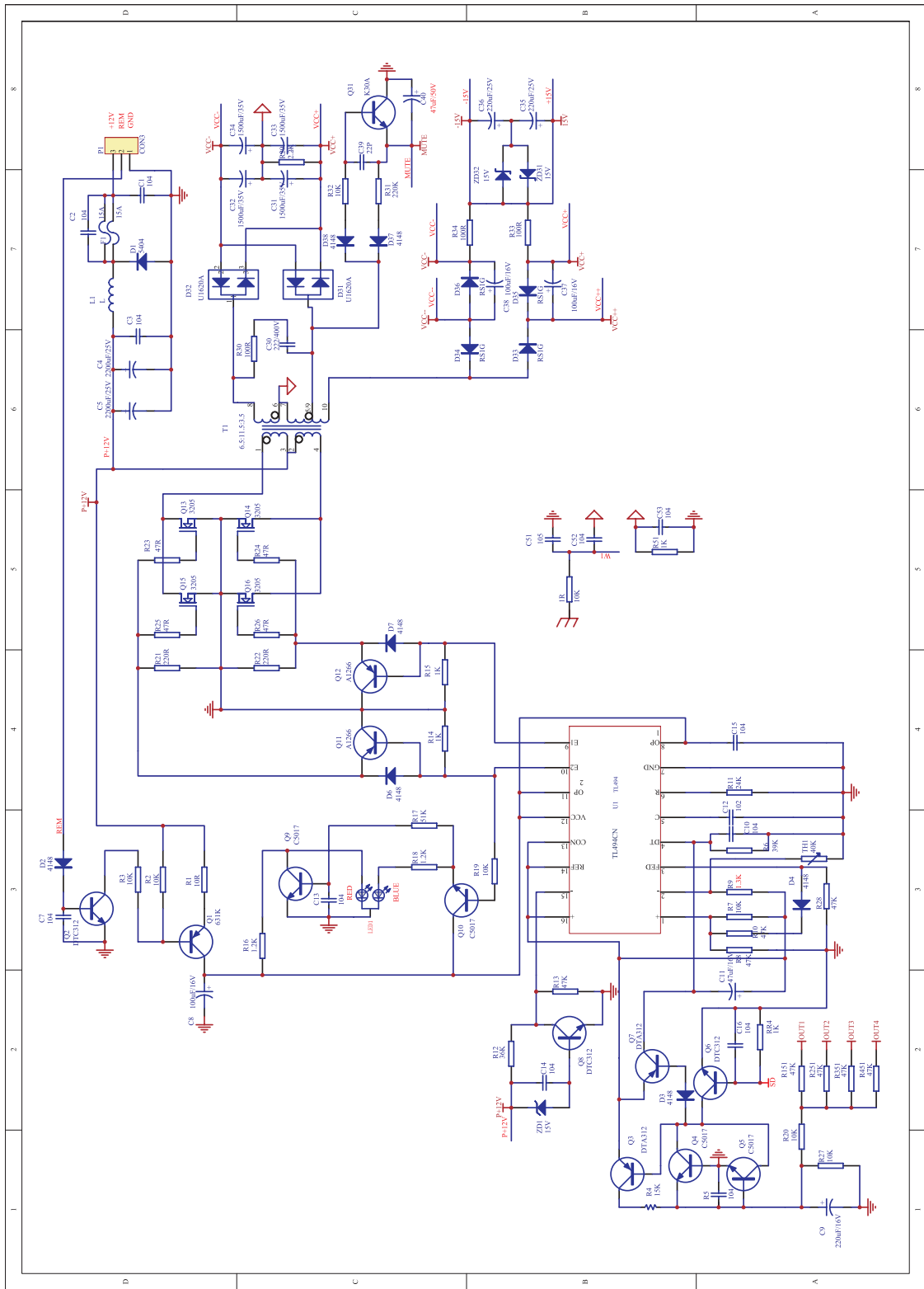
Sch Block Diagram



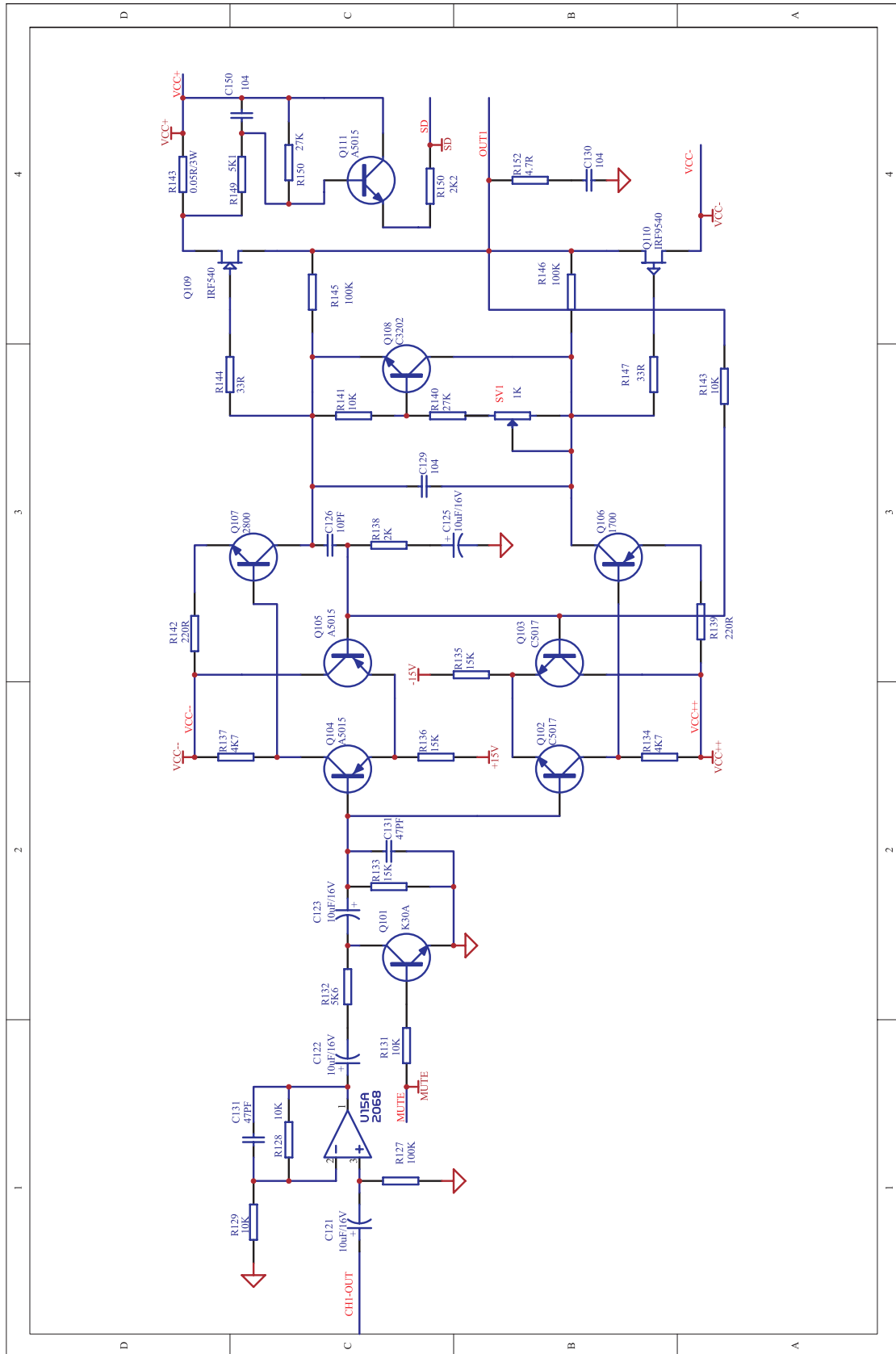
Schematic Diagram



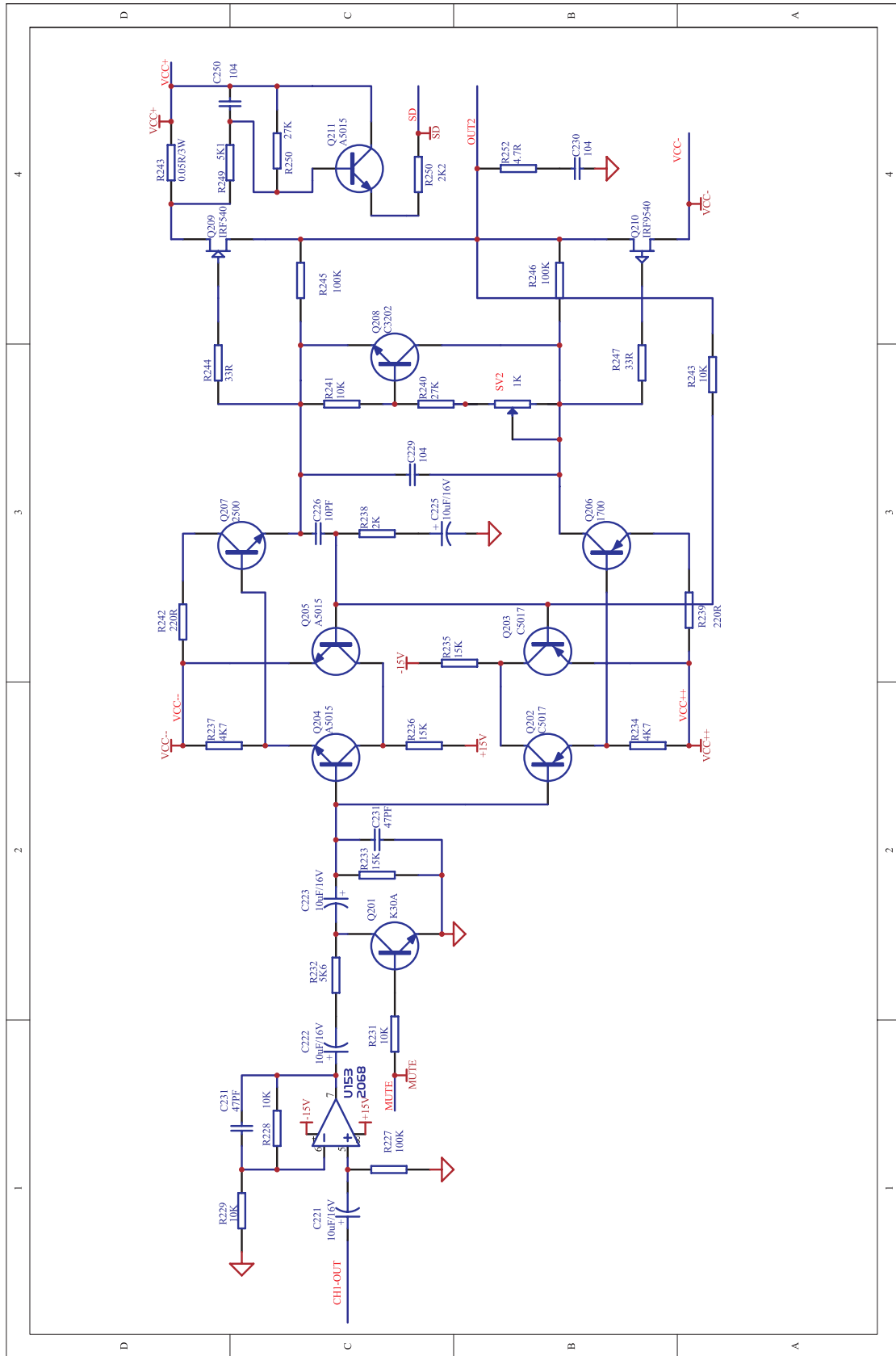
Schematic Diagram



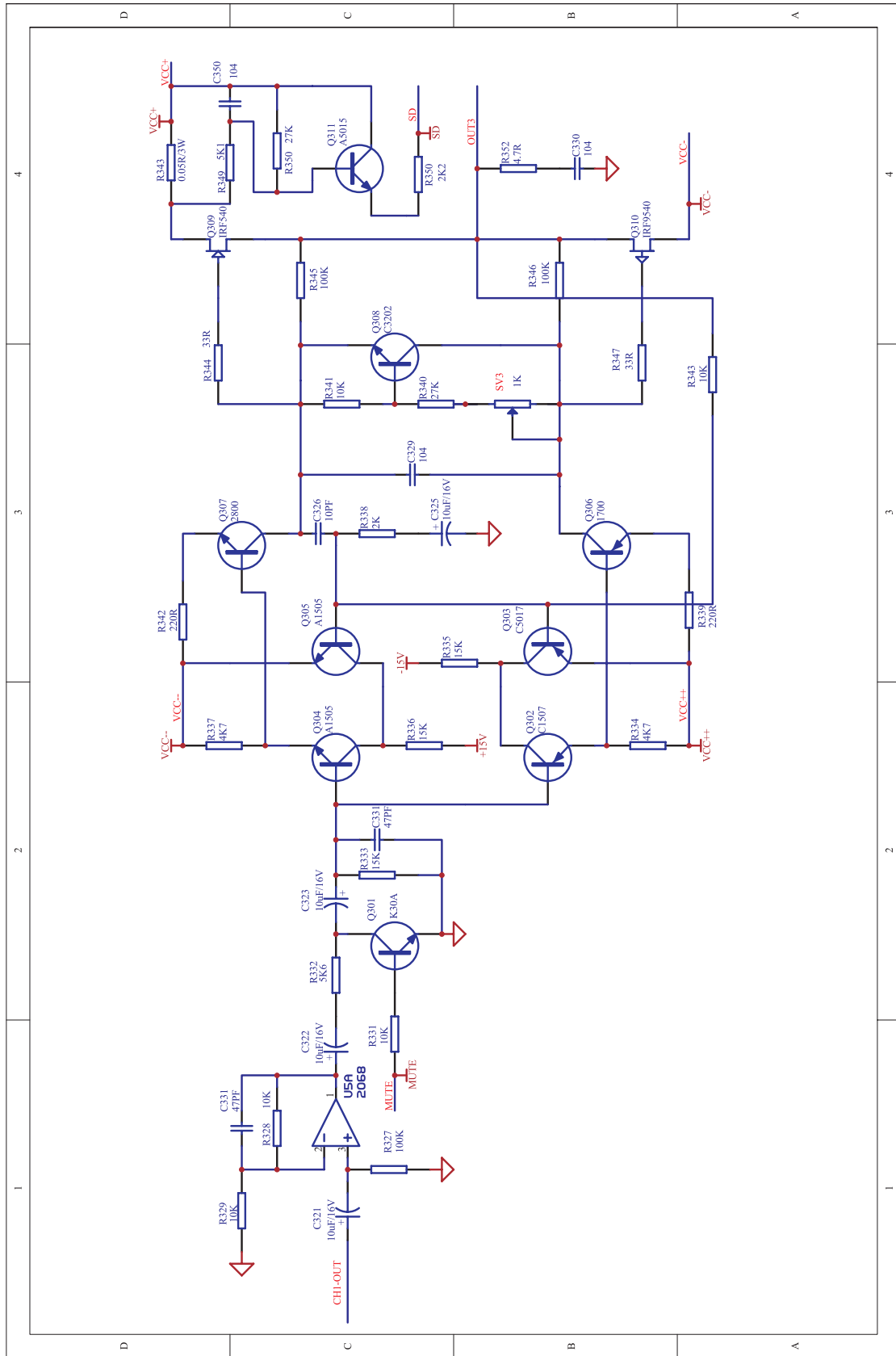
Schematic Diagram



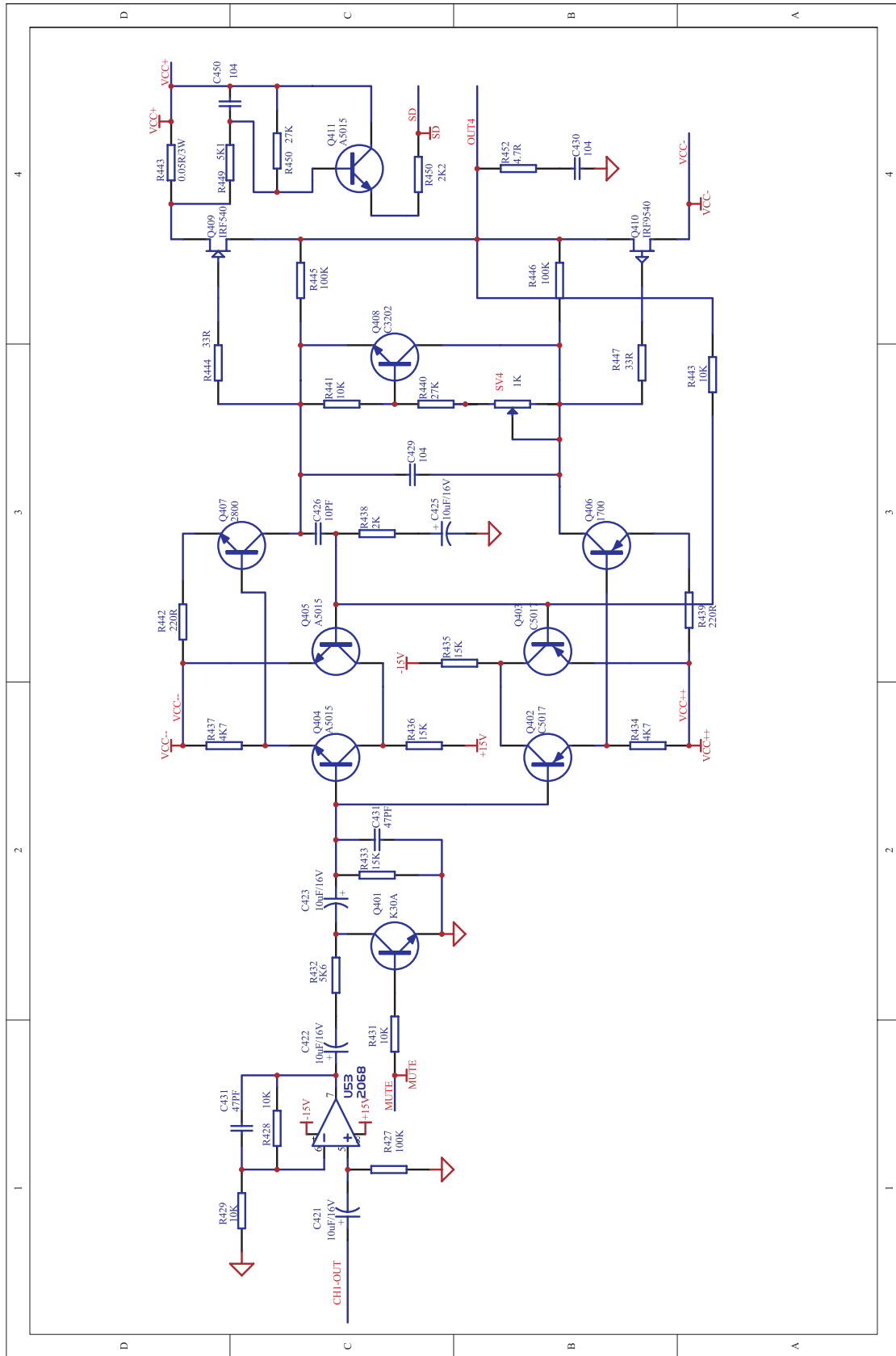
Schematic Diagram



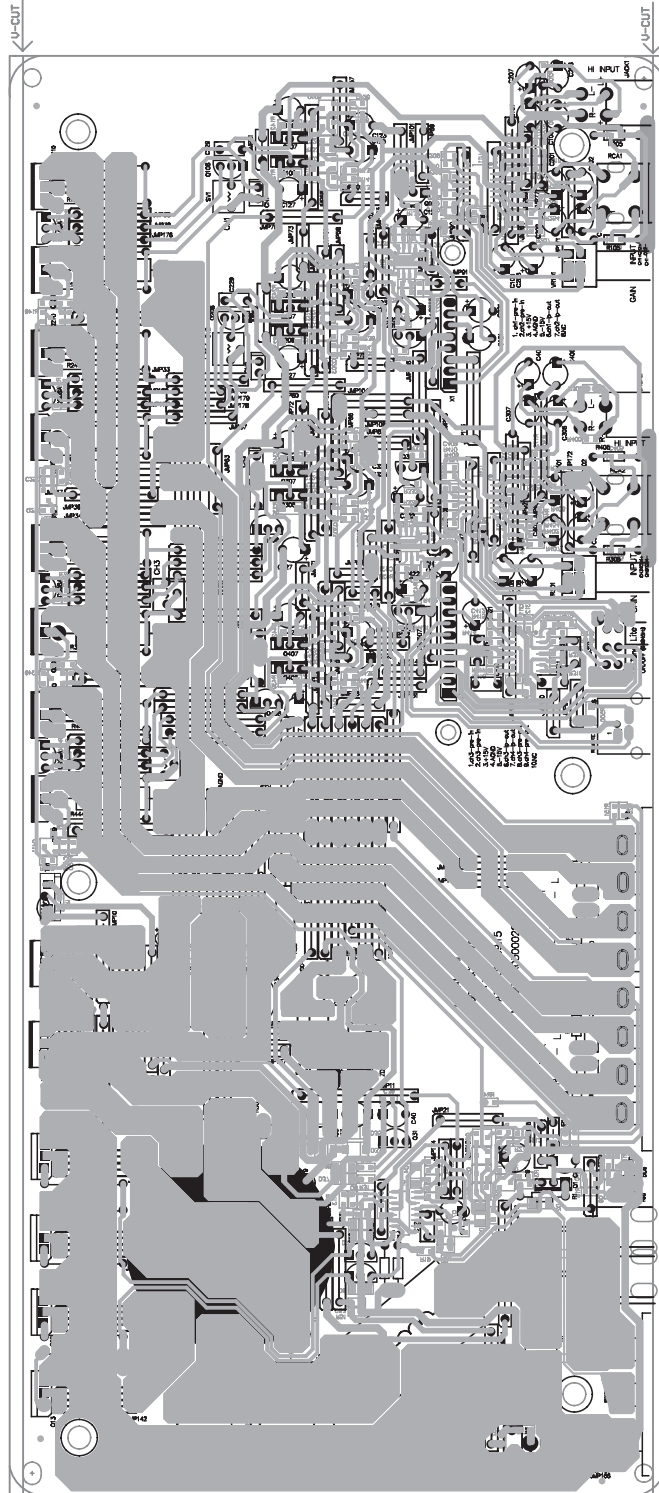
Schematic Diagram



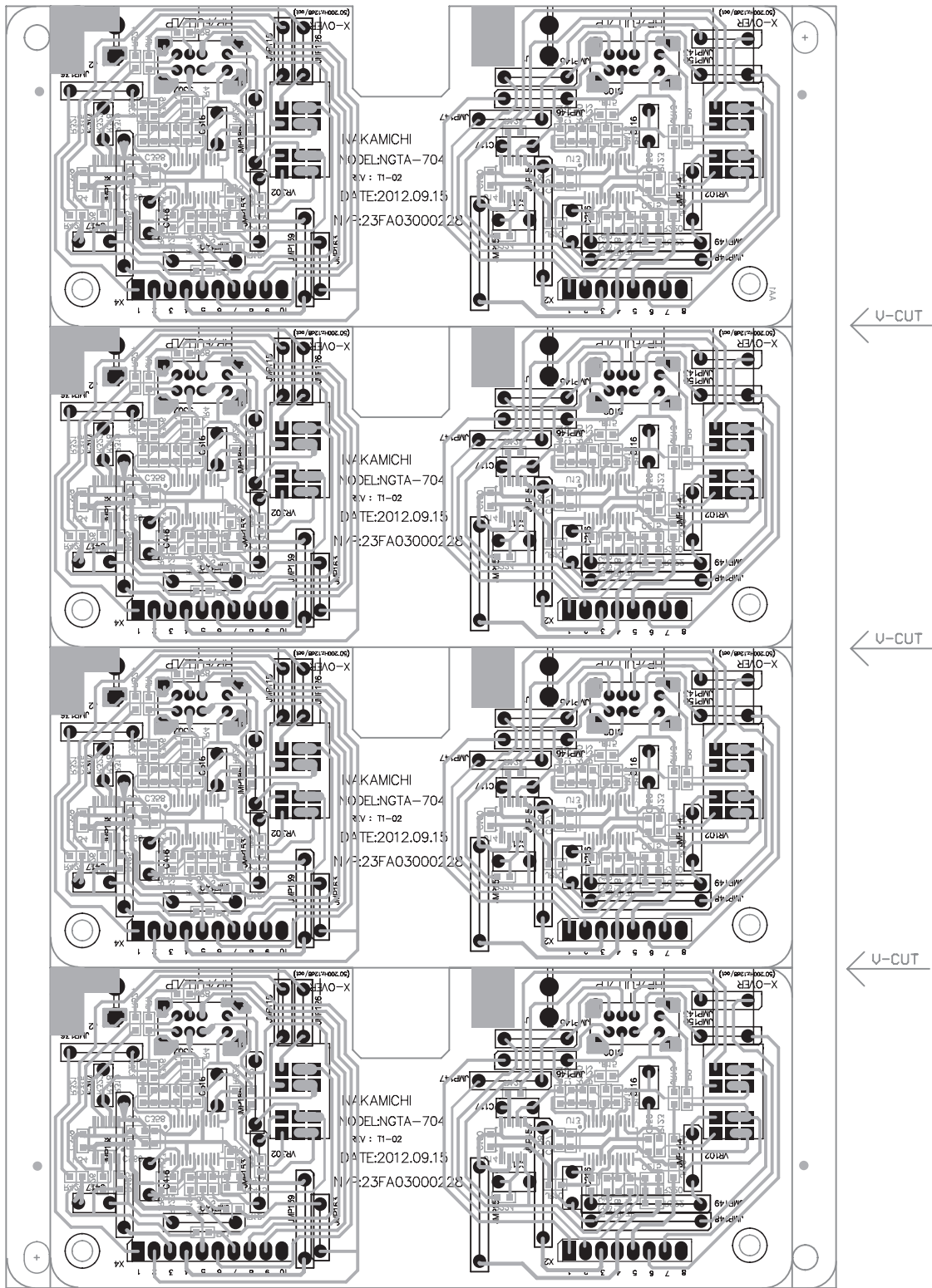
Schematic Diagram



POWER PCB

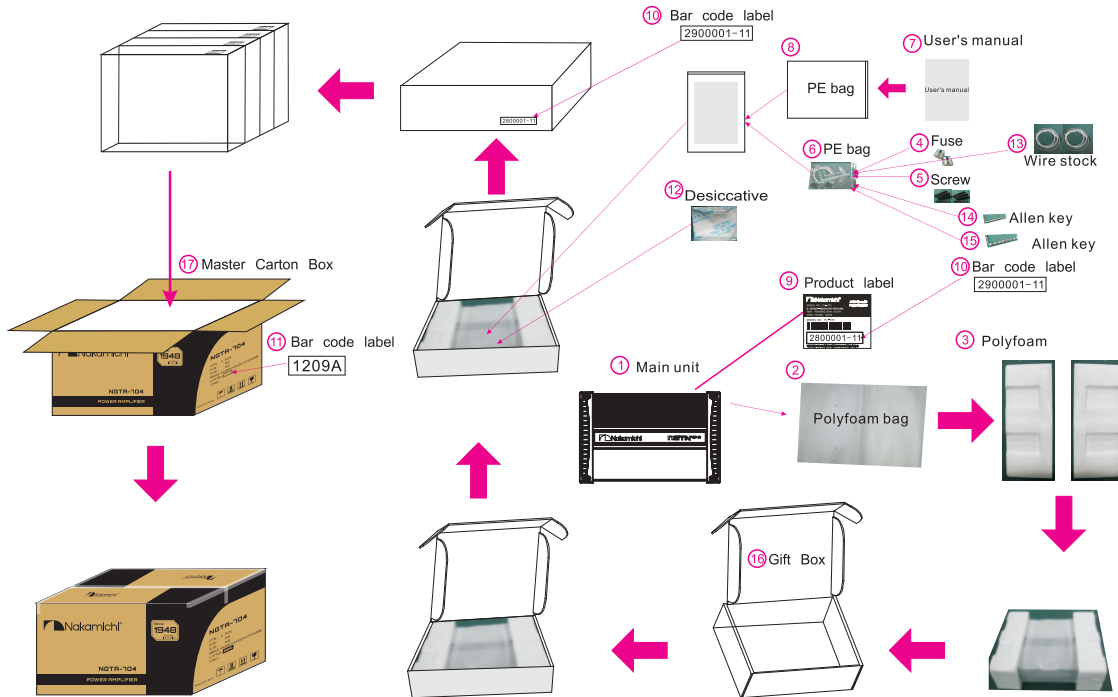


SHEE PCB



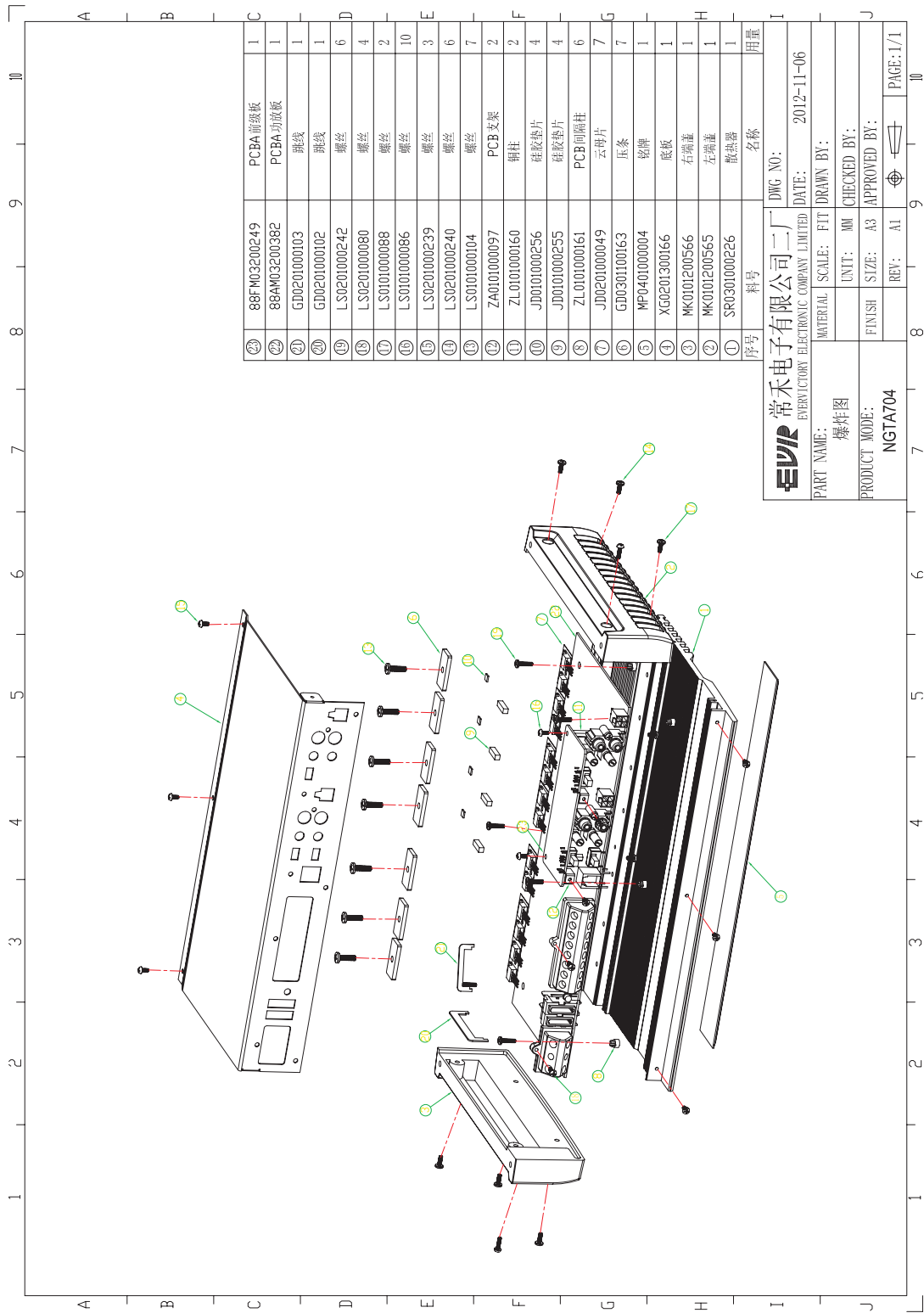
Packaging exploded Drawing

NGTA704 Packaging exploded Drawing



NO.	Part No	Part Name	QTY	REMARK
(1)	AGTA704M0002	Main unit	1	
(2)	Bz0102000142	Polyfoam bag	1	
(3)	Bz0902000119	Polyfoam	2	
(4)	140203000010	Fuse	2	
(5)	LS0201000083	Screw	8	
(6)	Bz0302000009	PE bag	1	
(7)	Lp0102000660	User's manual	1	
(8)	Bz0302000003	PE bag	1	
(9)	Tz0102000374	Product label	1	
(10)	Tz0302000688	Bar code label	2	50*10mm
(11)	Tz0302000687	Bar code label	2	30*10mm
(12)	LP0202000004	Desiccative	1	
(13)	170103000759	Wire stock	2	
(14)	Lp0401000005	Allen key	1	
(15)	Lp0401000002	Allen key	1	
(16)	Ch0102000391	Gift Box	1	
(17)	Wx0302000355	Master Carton Box	1/4	

Mechanical Exploded View



②③	88FM03200249	PCBA 前级板	1	
②④	88AM03200382	PCBA 功放板	1	
②①	GD0201000103	跳线	1	
②②	GD0201000102	跳线	1	
①⑨	LS0201000242	螺丝	6	
①⑩	LS0201000080	螺丝	4	
①①	LS0101000088	螺丝	2	
①②	LS0101000086	螺丝	10	
①③	LS0201000239	螺丝	3	
①④	LS0201000240	螺丝	6	
①⑤	LS0101000104	螺丝	7	
①⑥	Z40101000097	PCB 支架	2	
①⑦	ZL0101000160	铜柱	2	
①⑧	JD0101000256	硅胶垫片	4	
①⑨	JD0101000255	硅胶垫片	4	
②	ZL0101000161	PCB 间隔柱	6	
③	JD0201000049	云母片	7	
④	GD0301000163	压条	7	
⑤	MP0401000004	铭牌	1	
⑥	XG0201300166	底板	1	
⑦	MK0101200566	右端盖	1	
⑧	MK0101200565	左端盖	1	
⑨	SF0301000226	散热器	1	
⑩	序号	料号	名称	用量

EVIR 常禾电子有限公司二厂
EVERETT ELECTRONIC COMPANY LIMITED

DWG NO: 2012-11-06
DATE: 2012-11-06

MATERIAL: FIT
SCALE: MM
DRAWN BY: _____

UNIT: MM
CHECKED BY: _____

PRODUCT MODE: NGTA704
FINISH: A3
APPROVED BY: _____

REV: A1
PAGE: 1/1