



# NA98

---

Car Audio System Player

## INSTRUCTION MANUAL



[www.nakamichiasia.com](http://www.nakamichiasia.com)

**CD MP3 WMA USB AUX-IN**

## Safety

### WARNING

Stop the car before operating the unit.

### Important to know...

- ★ To prevent a short circuit, never put or leave any metallic objects (such as coins or metal tools) inside the unit.
- ★ **Caution:** Adjust the volume so that you can hear sounds outside the car. Driving with the volume too high may cause an accident.
- ★ **Condensation:** When the car is air-conditioned, moisture may collect on the laser lens. This may cause disc read errors. In this case, remove the disc and wait for the moisture to evaporate.
- ★ The illustrations in this manual are examples used to explain more clearly how the controls are used. Therefore, what appears on the illustrations may differ from what appears on the actual equipment.
- ★ If you experience problems during installation, consult your Nakamichi dealer.
- ★ When you purchase external components, check with your Nakamichi dealer to make sure that they work with your model and in your area.

### Maintenance

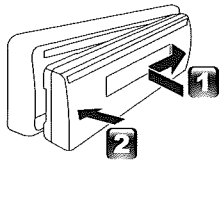
**Cleaning the unit:** Wipe off the dirt on the panel with a dry silicon or soft cloth. Failure to observe this precaution may result in damage to the monitor or unit.

**Cleaning the connector:** Wipe off dirt on the connector of the unit and faceplate. Use a cotton swab or cloth.

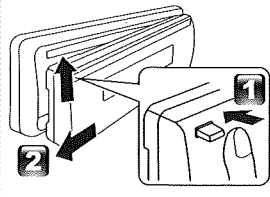
## Preparation

### How to attach/detach the faceplate

#### Attach



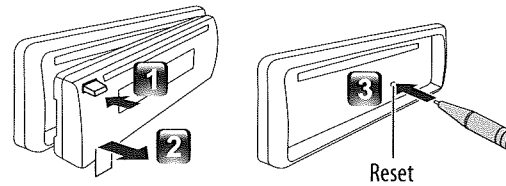
#### Detach



- ★ Do not expose the faceplate to direct sunlight, excessive heat, or humidity. Also avoid places with too much dust or the possibility of water splashing.
- ★ Keep the faceplate in its casing while detached.
- ★ The faceplate is a precision piece of equipment and can be damaged by shocks or jolts.

- ★ To prevent deterioration, do not touch the terminals of the unit and faceplate with your fingers.

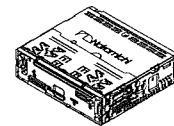
### How to reset your unit



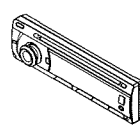
- ★ If this unit fails to operate properly, press the reset button.
- ★ The unit return to factory setting when the reset button is pressed.

## What's in the box

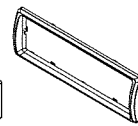
Check and identify the contents of your package:



Main unit  
(with sleeve)



Front panel



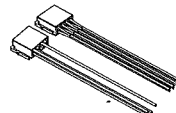
Trim plate



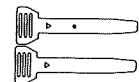
Carrying case  
(for front panel)



Remote control



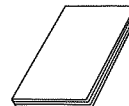
ISO male connector



Disassembly tool  
(2pcs)



Screw x 4pcs



User manual

## Product Information

### General

Power Supply: 12V DC (10.5-14.4V), negative ground  
 Fuse: 15A  
 Suitable Speaker Impedance: 4-8Ω  
 Aux-In level: 500mV

### Audio Section

Maximum Power Output: Mosfet 50W x 4 Channels  
 Continuous Power Output: 20W x 4 RMS  
 Pre-AMP Output Voltage: 1.8V

### FM tuner section

Frequency Range: 87.5 - 108MHz  
 Usable Sensitivity: Better than 15dB at S/N 30dB

### AM tuner section

Frequency Range: 522 - 1620KHz  
 Usable Sensitivity: Better than 45dB at S/N 26dB

### USB devices

USB Flash Memory: USB 1.1 & 2.0 Compatible

### About Audio file

- USB or memory file system: FAT16, FAT32
- MP3/WMA bit rate: 32-320kbps and variable bit rate
- MP3 sampling frequencies: 8-48kHz
- WMA sampling frequencies: 32kHz, 44.1kHz, 48kHz
- ID3 tag v1.0 or later

## Installation / Connection

### Basic Procedure

- 1 Remove the key from the ignition switch, then disconnect the ⊖ terminal of the car battery.
- 2 Make proper input and output wire connections.
- 3 Install the unit to your car.
- 4 Reconnect the ⊖ terminal of the car battery.
- 5 Reset the unit.

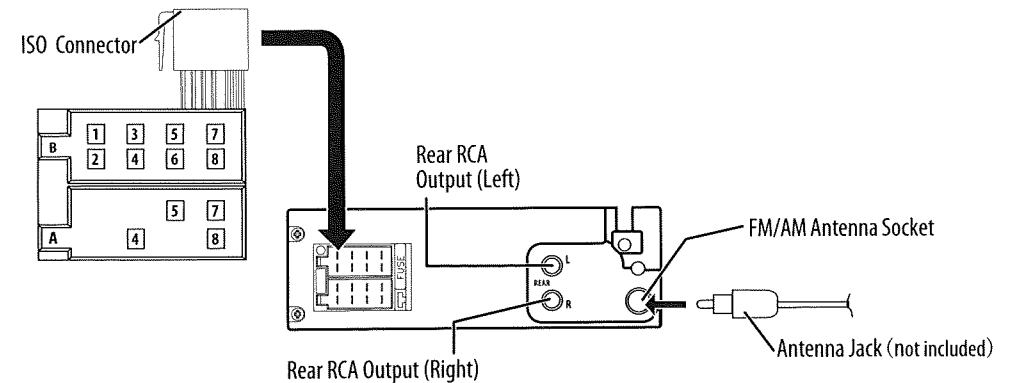
### Warning

- ★ The unit can only be installed in a car with a 12V DC power supply, negative ground.
- ★ If you connect the ignition wire (red) and the battery wire (yellow) to the car chassis (ground), you may cause a short circuit, that in turn may start a fire. Always connect those wires to the power source running through the fuse box.
- ★ Disconnect the battery's negative terminal and make all electrical connections before installing the unit.
- ★ Insulate unconnected wires with vinyl tape or other similar material. To prevent a short circuit, do not remove the caps on the ends of the unconnected wires or the terminals.
- ★ Be sure to ground this unit to the car's chassis again after installation.
- ★ If the power is not turned ON, the speaker wire may have a short-circuit or touched the chassis of the vehicle and the protection function may have been activated. Therefore, the speaker wire should be checked.

### Caution

- ★ If your car's ignition does not have an ACC position, connect the ignition wires to a power source that can be turned on and off with the ignition key. If you connect the ignition wire to a power source with a constant voltage supply, as with battery wires, the battery may die.
- ★ Install this unit in the console of your vehicle. Make sure the faceplate will not hit the lid of the console (if any) when closing and opening.
- ★ After the unit is installed, check whether the brake lamps, blinkers, wipers, etc. on the car are working properly.
- ★ Mount the unit so that the mounting angle is 30° or less.
- ★ If the fuse blows, first make sure the wires are not touching to cause a short circuit, then replace the old fuse with one that has the same rating.
- ★ Connect the speaker wires correctly to the terminals to which they correspond. The unit may be damaged or fail to work if you share the ⊖ wires or ground them to any metal part in the car.
- ★ When only two speakers are being connected to the system, connect the connectors either to both the front output terminals or to both the rear output terminals (do not mix front and rear).
- ★ Mounting and wiring this product requires skills and experience. For safety's sake, leave this work to professionals. If you experience problems during installation, consult your Nakamichi dealer.

### Wiring Connection

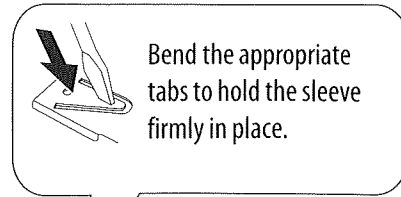
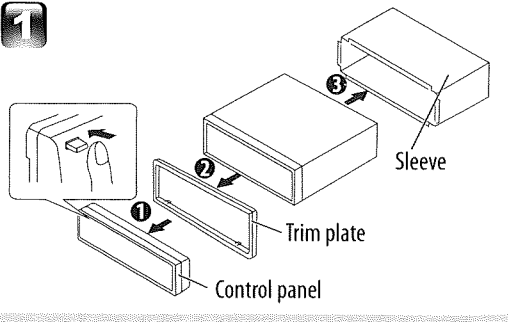


### ISO Connector Wiring Chart

Pin	Color and function	Pin	Color and function
A4	Yellow Battery(+)	B1/B2	Violet ⊕ / Violet/Black ⊖ Right rear speaker
A5	Blue Connect to system control terminal of the power AMP or auto antenna relay control terminal(Max 150MA 12VDC)	B3/B4	Grey ⊕ / Grey/Black ⊖ Right front speaker
A7	Red Ignition(ACC)	B5/B6	White ⊕ / White/Black ⊖ Left front speaker
A8	Black Ground	B7/B8	Green ⊕ / Green/Black ⊖ Left rear speaker

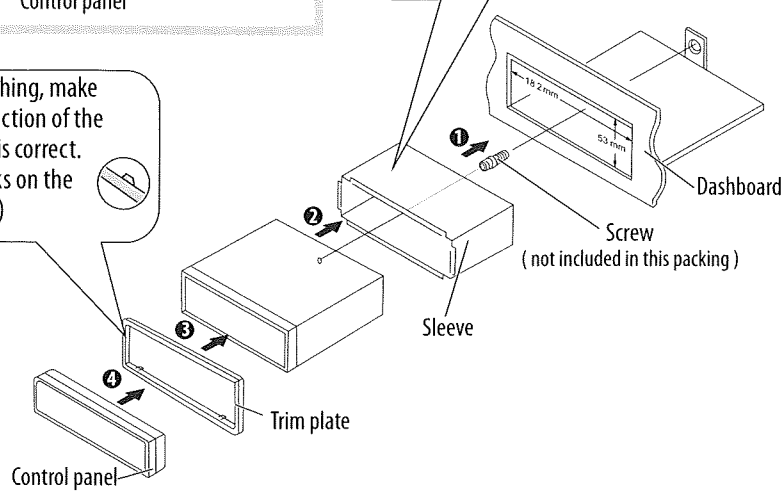
## Installing the unit

1



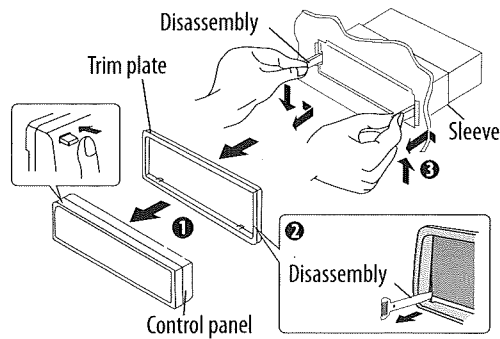
2

Before attaching, make sure the direction of the escutcheon is correct. (Wider hooks on the bottom side.)

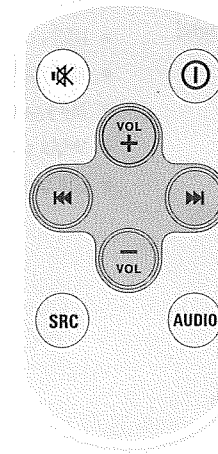


## Removing the unit

- 1 Detach the control panel.
- 2 Engage the catch pin on the removal tools into the holes on both sides of the escutcheon, then pull it out.
- 3 Insert the disassembly tools deeply into the slots on each side, then follow the arrows instructions as shown on the right.



## Remote Control Operation



### When you press or hold the following button(s)...

Main unit	General operation
	Turn mute or restore volume.
	Press turn the unit on or off.
	Press increase the volume.
	Press decrease the volume.
	<ul style="list-style-type: none"> <li>■ Under Radio mode to enter into the Auto Seek mode, press and hold to enter into the Manual Seek mode.</li> <li>■ Under Media playback mode to skip track / file, press and hold to fast forward / backward.</li> </ul>
	Select the available sources (Radio, Disc, USB (USB-iPod/iPhone), SD or Aux-In ), if the power is turned on.
	Press to access into the Audio Menu mode.

## Function Setting

- 1 Press **MENU** to access into the [AUDIO MENU] mode, press and hold to enter into the [MENU] mode.
- 2 Press **◀▶** repeatedly to select the item to be adjusted.
- 3 Turn the encoder volume knob to select a value / option.

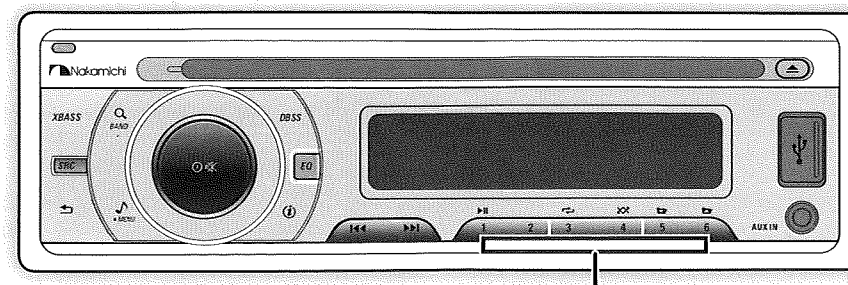
### [AUDIO MENU] ...

Item	Selectable Setting
BASS ADJUST	
BASS LEVEL	Adjust the level -7 to +7.
TREBLE ADJUST	
TREBLE LEVEL	Adjust the level -7 to +7.
BALANCE	Adjust the balance between the right and left speakers from 12R (full right) to 12L (full left).
FADER	Adjust the fader between the front and rear speakers from 12R (full rear) to 12F (full front).

### [MENU] ...

Item	Selectable Setting
CLOCK	
CLOCK SET	Adjust the Hours and Minutes
CLOCK FORMAT	Select the time format 12H or 24H
BEEP TONE	Turn On or Off this beep sound
DIMMER	Adjust the LCD display backlight level between Hight or Low

## Listening to the Radio



- Hold for about 2 seconds to memorize the current station .
- Press briefly to recall memorized station.

- 1 Press **BAND** repeatedly to a band ( FM1, FM2, FM3, AM1(MW1) or AM2 (Mw2)).
- 2 Press **◀▶** to search for a station.

### Adjust [MENU] mode settings

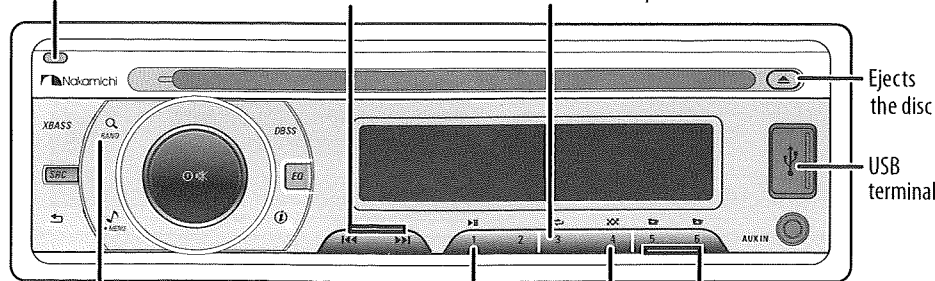
While listening to the radio...

- 1 Press and hold **MENU** to enter into the [MENU] mode.
- 2 Press **◀▶** repeatedly to select the item to be adjusted.
- 3 Turn the encoder volume knob to select a value / option.

Item	Selectable Setting
AUTO STORE <b>↵</b>	Press the <b>⊙</b> to access into Auto Store mode, the six strongest stations of the selected band are saved in preset channel automatically: FM1, FM2, FM3(1-6), AM1, AM2.
AREA	Select suitable country region of the radio: USA; LATIN; EUROPE; RUSSIA(Oirt); M-EAST; ASIA; JAPAN; AUST (Australia)
LOCAL SEEK	To receive more radio stations or only stations with strong signal, you can adjust the radio sensitivity.

## Listening to a Disc/ USB device

- Press to select a track / file.
- Press to repeat one track, press again to repeat all tracks.
- Press and hold for fast forward / backward.
- Press and hold repeat a folder.



Press into search mode Press to pause. Press again to resume playback. Press to move next/previous folder.

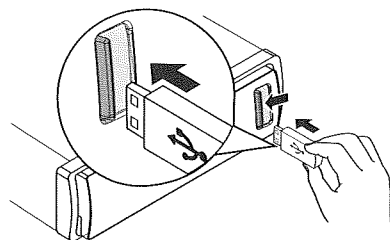
- Press to start random play, press again to cancel random play.
- Press and hold random a folder.

### Playing a disc

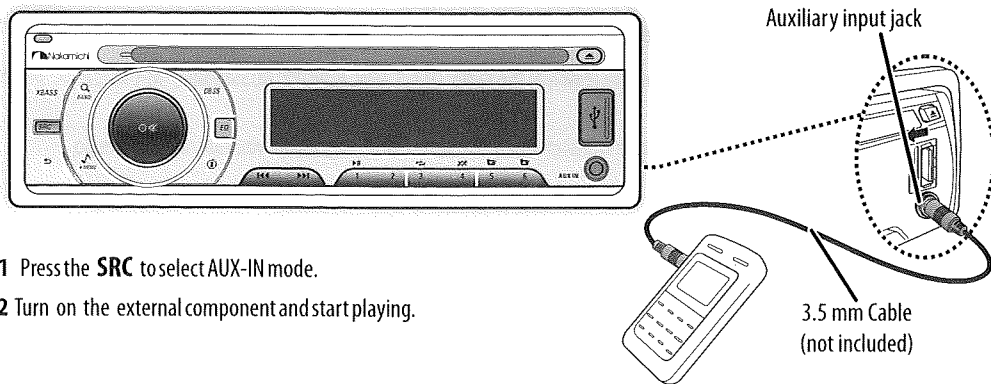
Insert the disc into the Disc Slot with label side facing up, the unit will play starts automatically.

### Playing a USB device

- 1 Slide the USB socket cover marked to the left.
- 2 Insert the USB device into the USB socket. The unit starts playing from the USB device automatically.

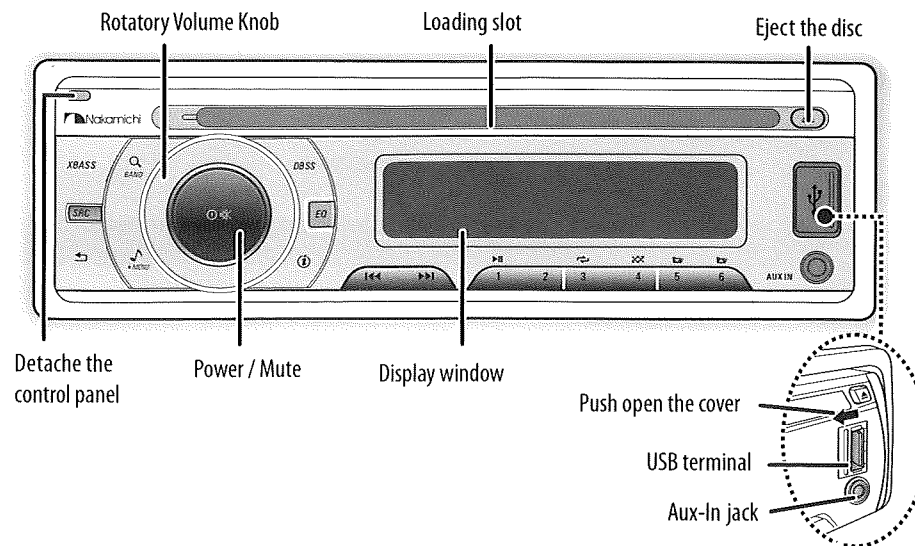


## Listening to the other external components



- 1 Press the **SRC** to select AUX-IN mode.
- 2 Turn on the external component and start playing.

## Basic Operation



### When you press or hold the following button(s)...

Main unit	General operation
<b>SRC</b>	Select the available sources (Radio, Disc, USB, Aux-In), if the power is turned on.
Rotatory Volume knob	Rotate it to increase or decrease the volume. Select items.
Power / Mute	<ul style="list-style-type: none"> <li>■ Turn mute or restore volume.</li> <li>■ Turn the unit on. Press and hold again to turn the unit off.</li> <li>■ Confirms selection.</li> </ul>
<b>BAND</b>	<ul style="list-style-type: none"> <li>■ Select the FM bands (FM1/ FM2/ FM3) or AM1 (MW1) / AM2 (MW2).</li> <li>■ Under media playback to access into search mode.</li> </ul>
<b>1   </b>	Pause/resumes playback of a Disc, USB.
<b>1 &lt;&lt; / &gt;&gt; 1</b>	<ul style="list-style-type: none"> <li>■ Under Radio mode to enter into the Auto Seek mode, press and hold to enter into the Manual Seek mode.</li> <li>■ Under Media playback mode to skip track / file, press and hold to fast forward / backward.</li> </ul>
<b>MENU</b>	To access into the Audio Menu mode, press and hold to enter into the System Menu mode.
<b>DBSS</b>	Press and hold to turn On or Off dynamic bass boost sound.
<b>i</b>	<ul style="list-style-type: none"> <li>■ To view the Clock</li> <li>■ Under Media playback mode to view play informations.</li> </ul>
<b>XBASS</b>	Turn On or Off the Xbass booster function.
<b>EQ</b>	To adjust the EQ (Preset Equalizer) setting.
<b>←</b>	■ Returns to the previous item.