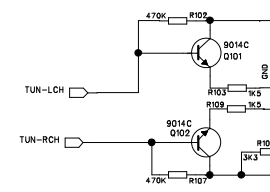


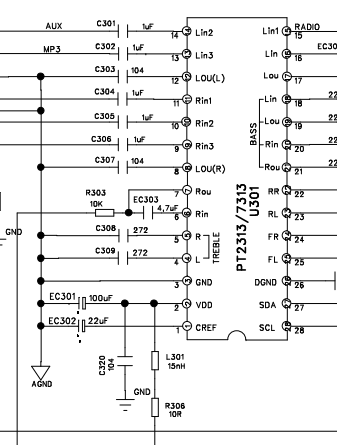
BLUE TOOTH

R0301

CN201 22P to Panel



R703,R704 EC152=10K,NA80=3K,3.



PT2313/7313 U301

