

# Service Manual



## CONTENTS

Technical specification .....	1-1
Main board	
Circuit diagram .....	2-1... 2-4
Layout diagram .....	2-5... 2-6
Panel board	
Circuit diagram .....	3-1
Layout diagram .....	3-2... 3-3
Exploded view diagram .....	4-1
Instruction Manual .....	page13-25

**General**

Power Supply: 12V DC (10.5-14.4V), negative ground  
Fuse: 15A  
Suitable Speaker Impedance: 4 -8Ω  
Aux-In level: 800mV

**Audio Section**

Maximum Power Output: Mosfet 50W x 4 Channels  
Continous Power Output: 24W x 4 RMS  
Pre-AMP Output Voltage: 4V  
Subwoofer Output Voltage: 3V

**FM tuner section**

Frequency Range: 87.5 - 108MHz  
Usable Sensitivity: Better than 15dB at S/N 30dB

**AM tuner section**

Frequency Range: 522 - 1620KHz  
Usable Sensitivity: Better than 45dB at S/N 26dB

**USB devices**

USB Flash Memory: USB 1.1 & 2.0 Compatible

**Memory Card**

Support type of memory card: SD/SDHC

**Bluetooth**

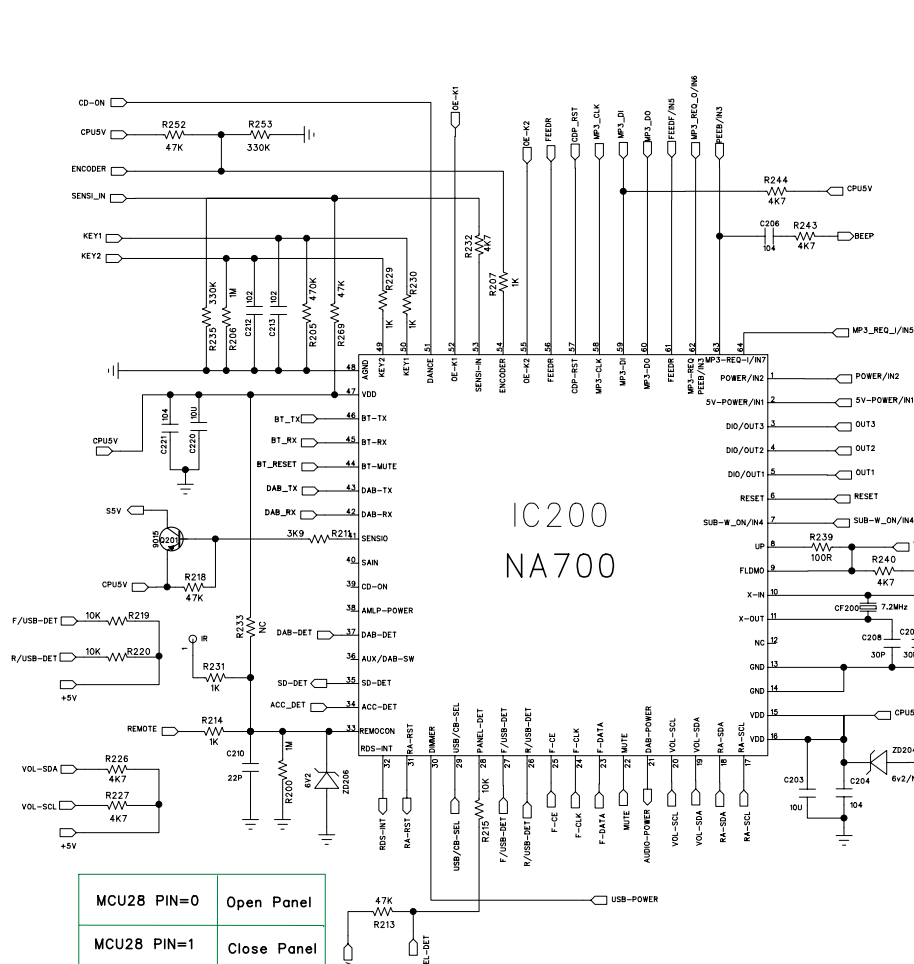
Output power: Class 2  
Frequency band: 2.4000GHz-2.4835GHz ISM Band  
Range: 3 meters (free space)  
Standard: Bluetooth 2.0 specification

**About Audio file**

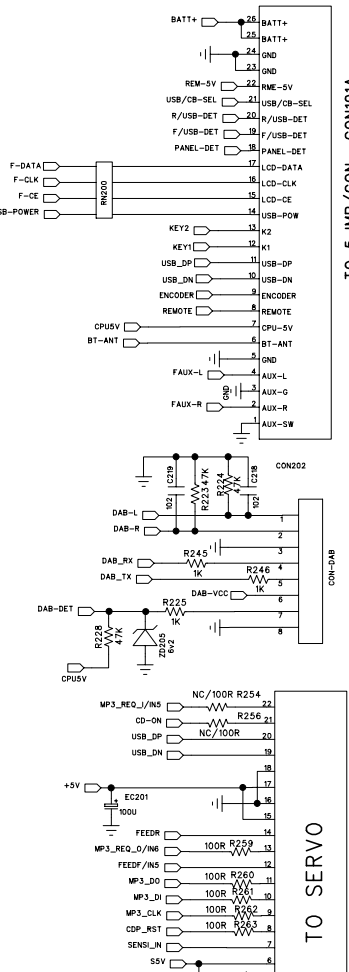
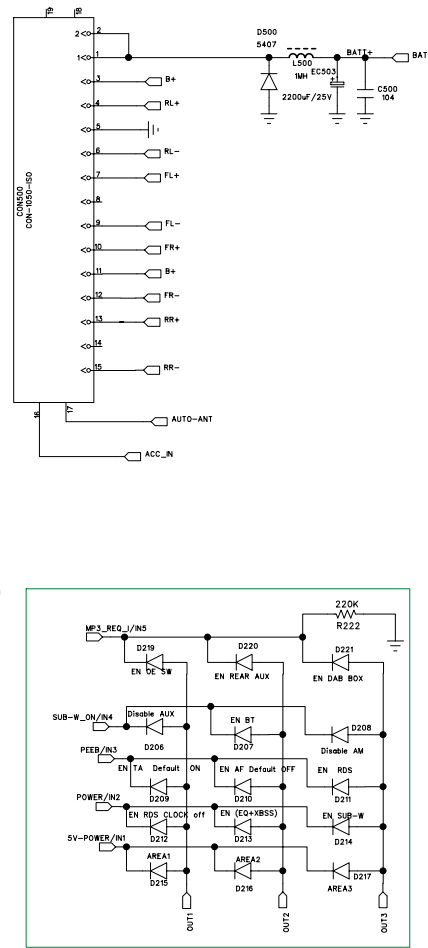
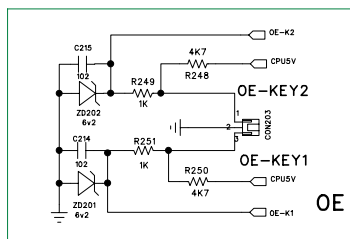
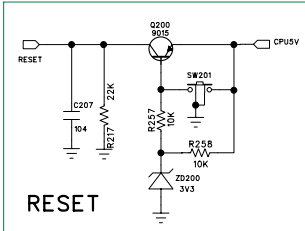
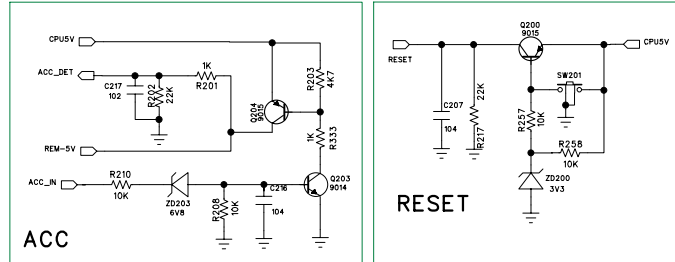
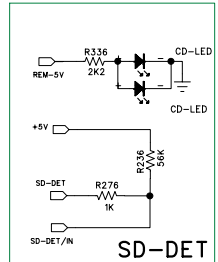
USB or memory file system: FAT16, FAT32  
MP3/WMA bit rate: 32-320kbps and variable bit rate  
MP3 sampling frequencies: 8-48kHz  
WMA sampling frequencies: 32kHz, 44.1kHz, 48kHz  
ID3 tag v1.0 or later

**USB Smart Phone 1A charging**

Output Voltage: 5 V DC  
Output Current: 1000 mA (1A)

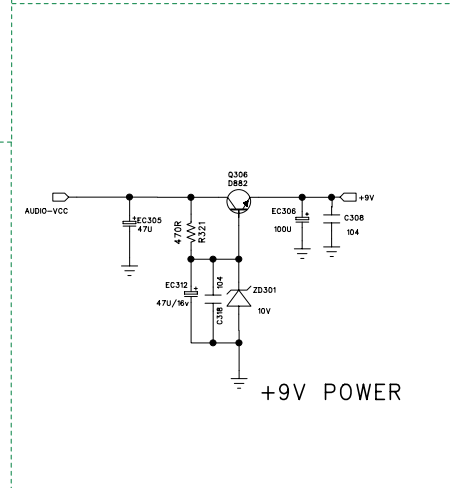
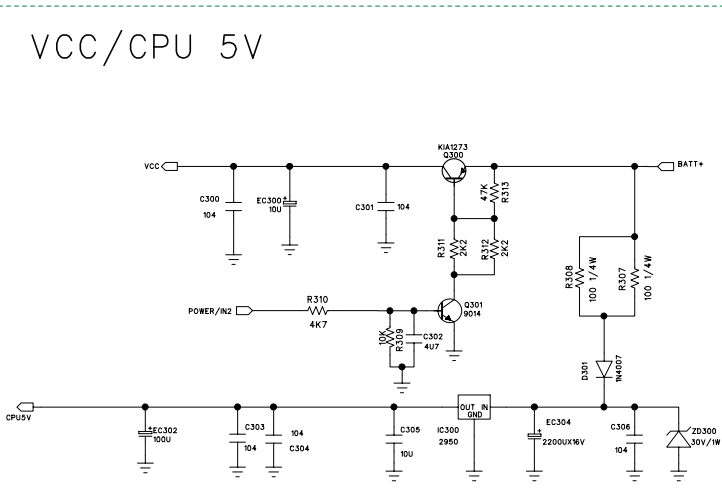
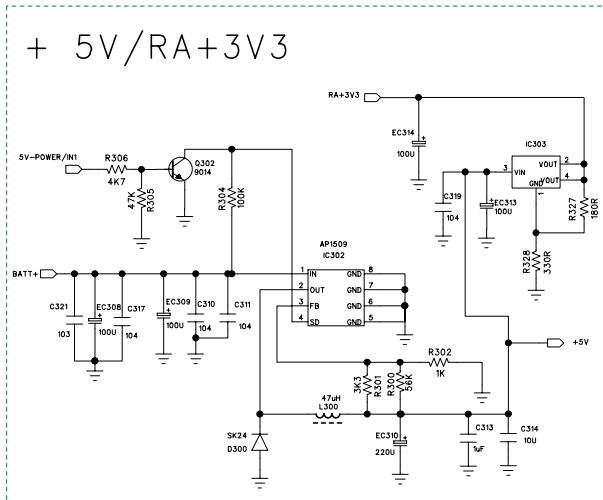
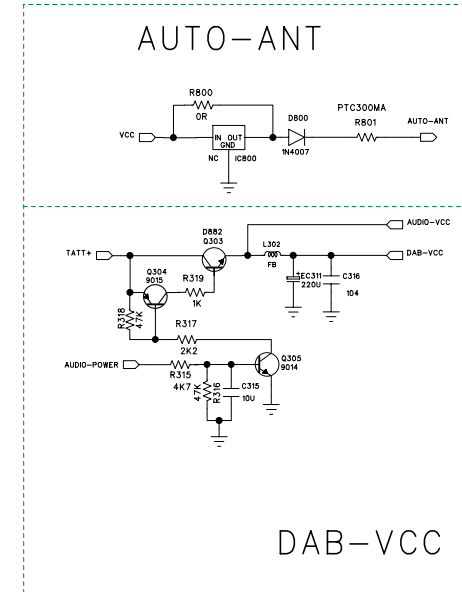
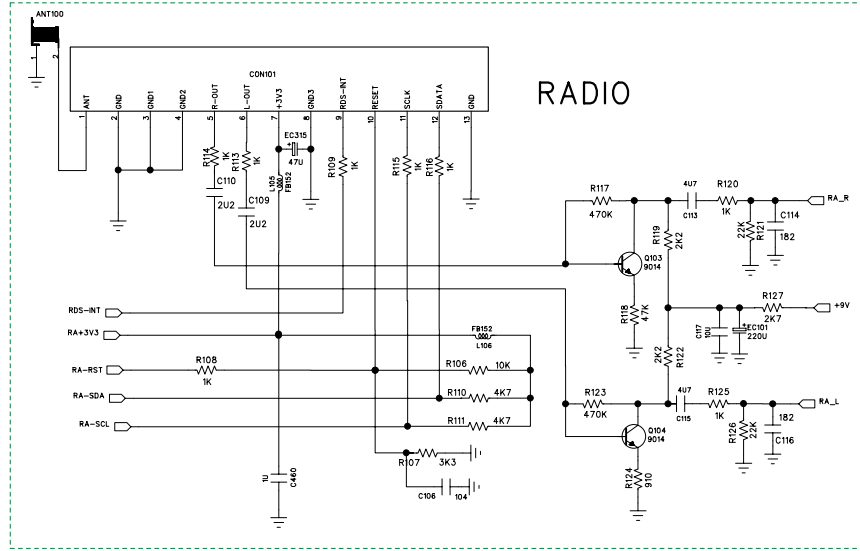
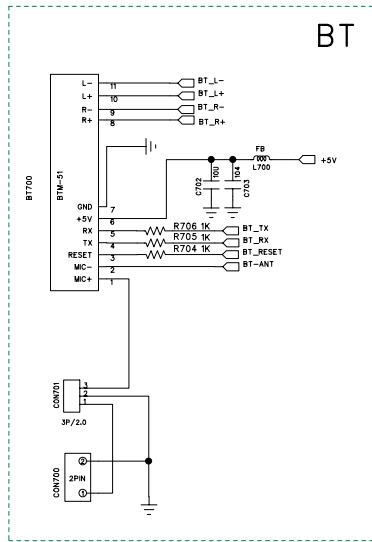


MCU28 PIN=0	Open Panel
MCU28 PIN=1	Close Panel

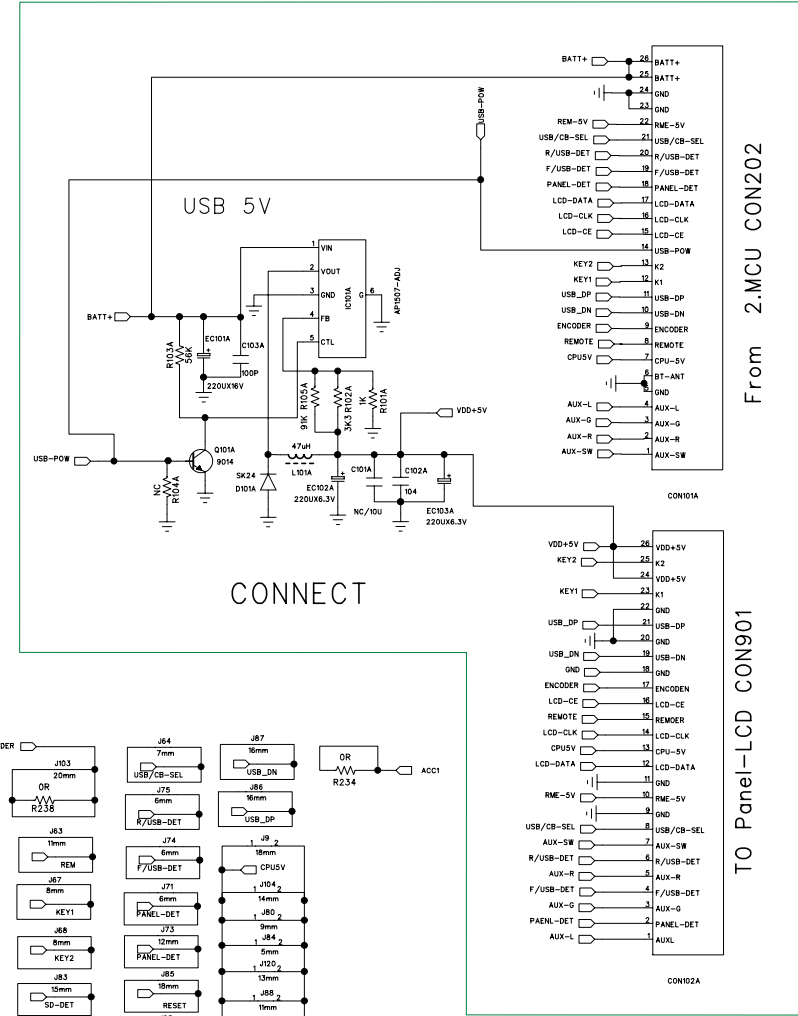
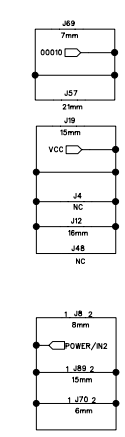
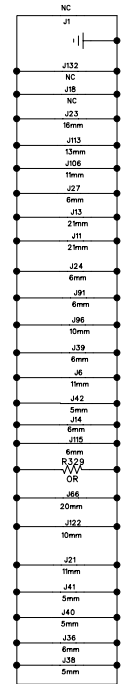
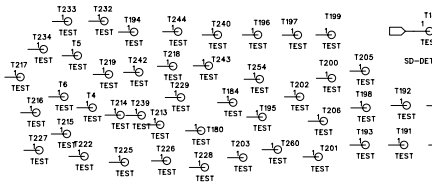
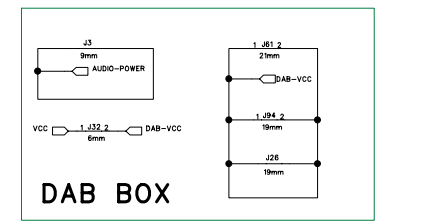
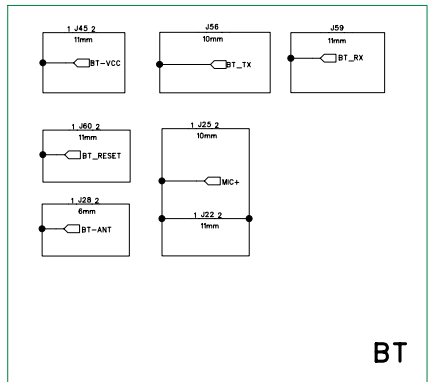
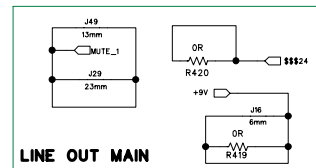
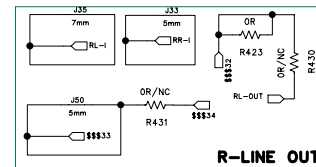
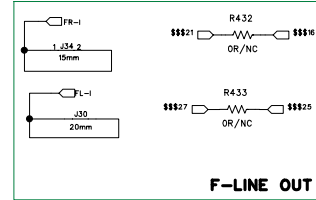
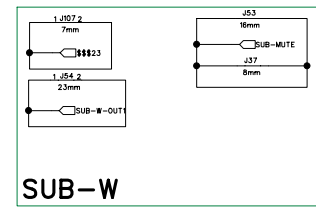
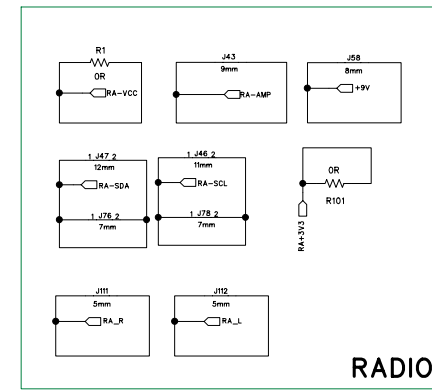


TO 5.JMP/CON - CON101A

TO SERVO

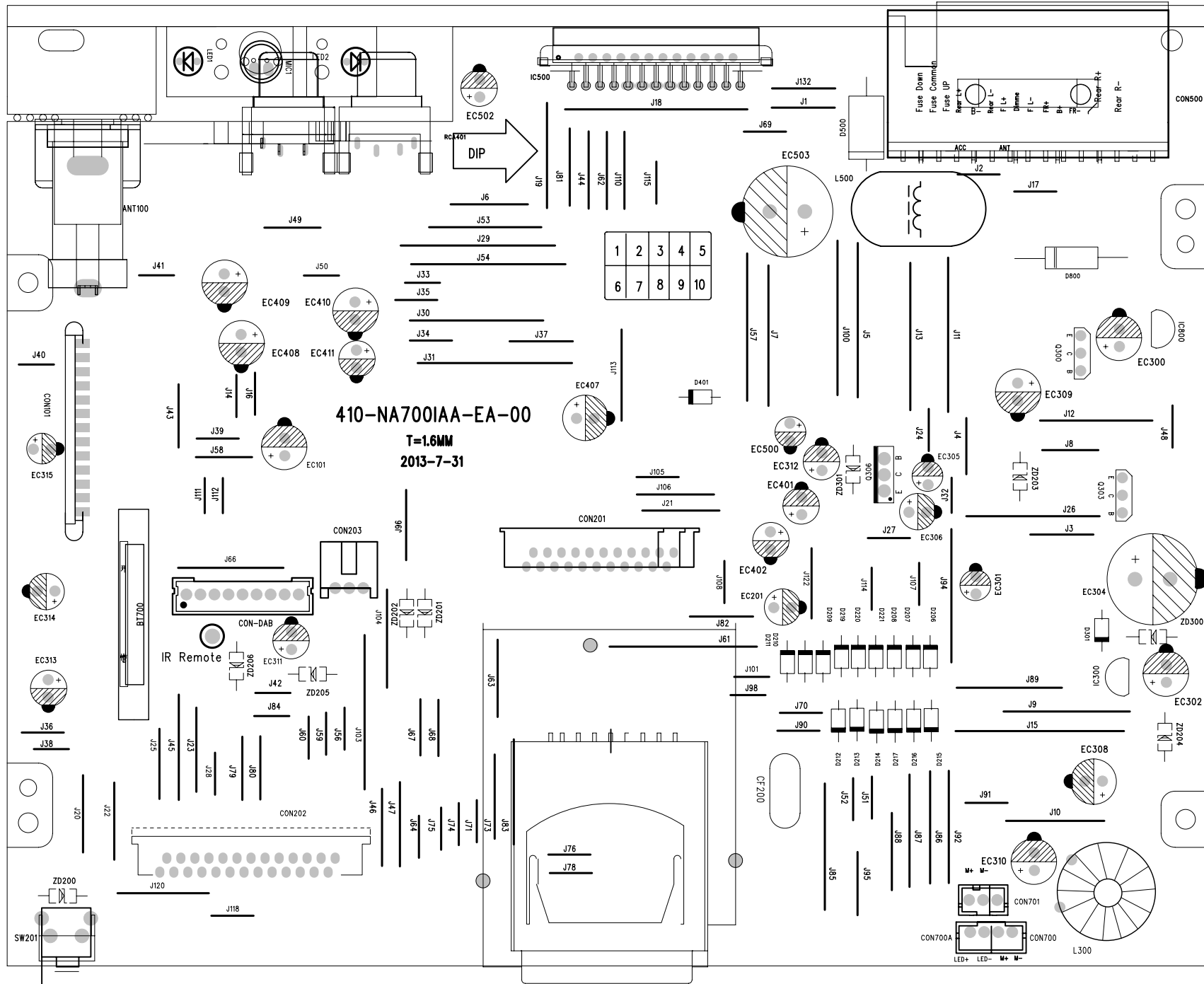


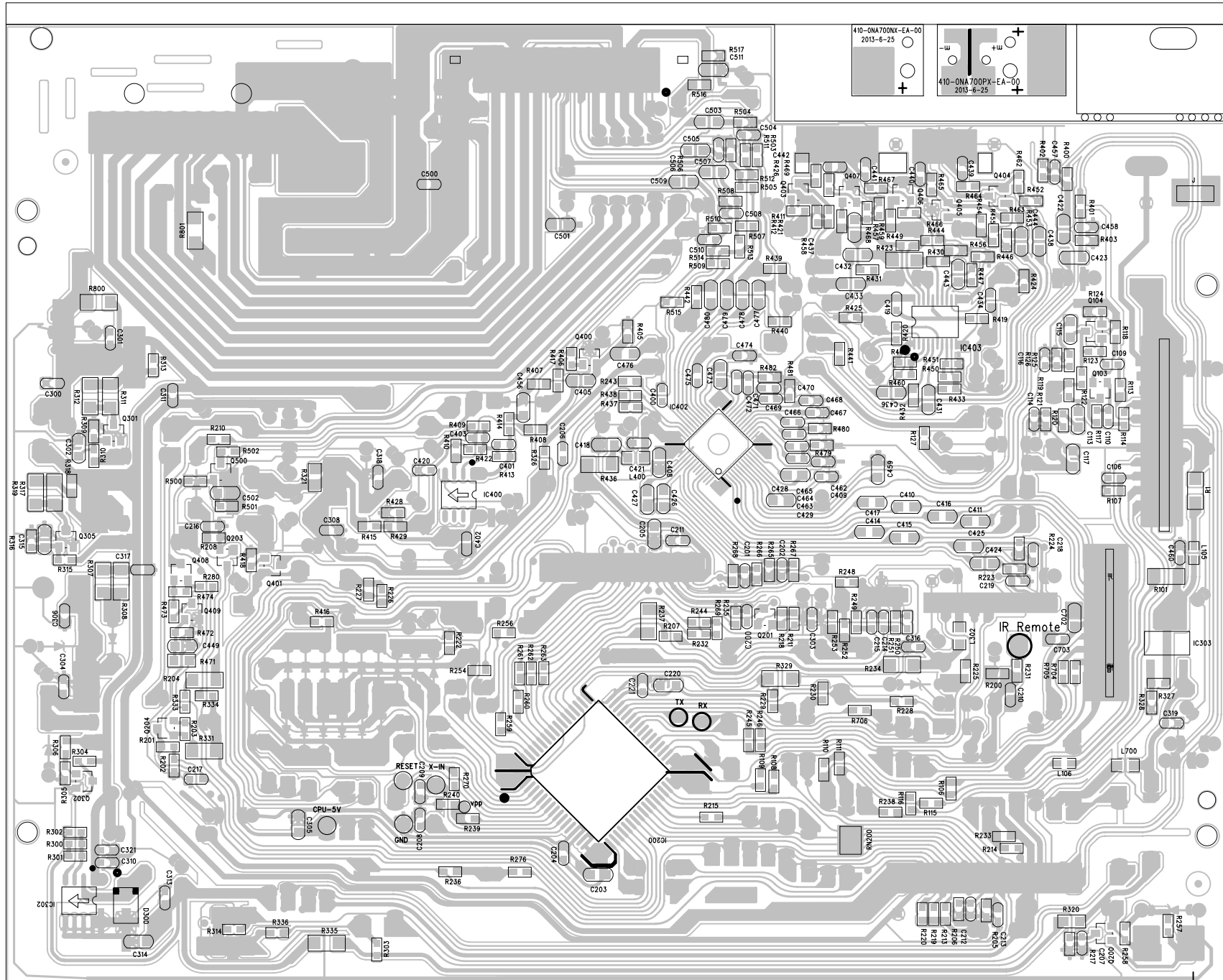




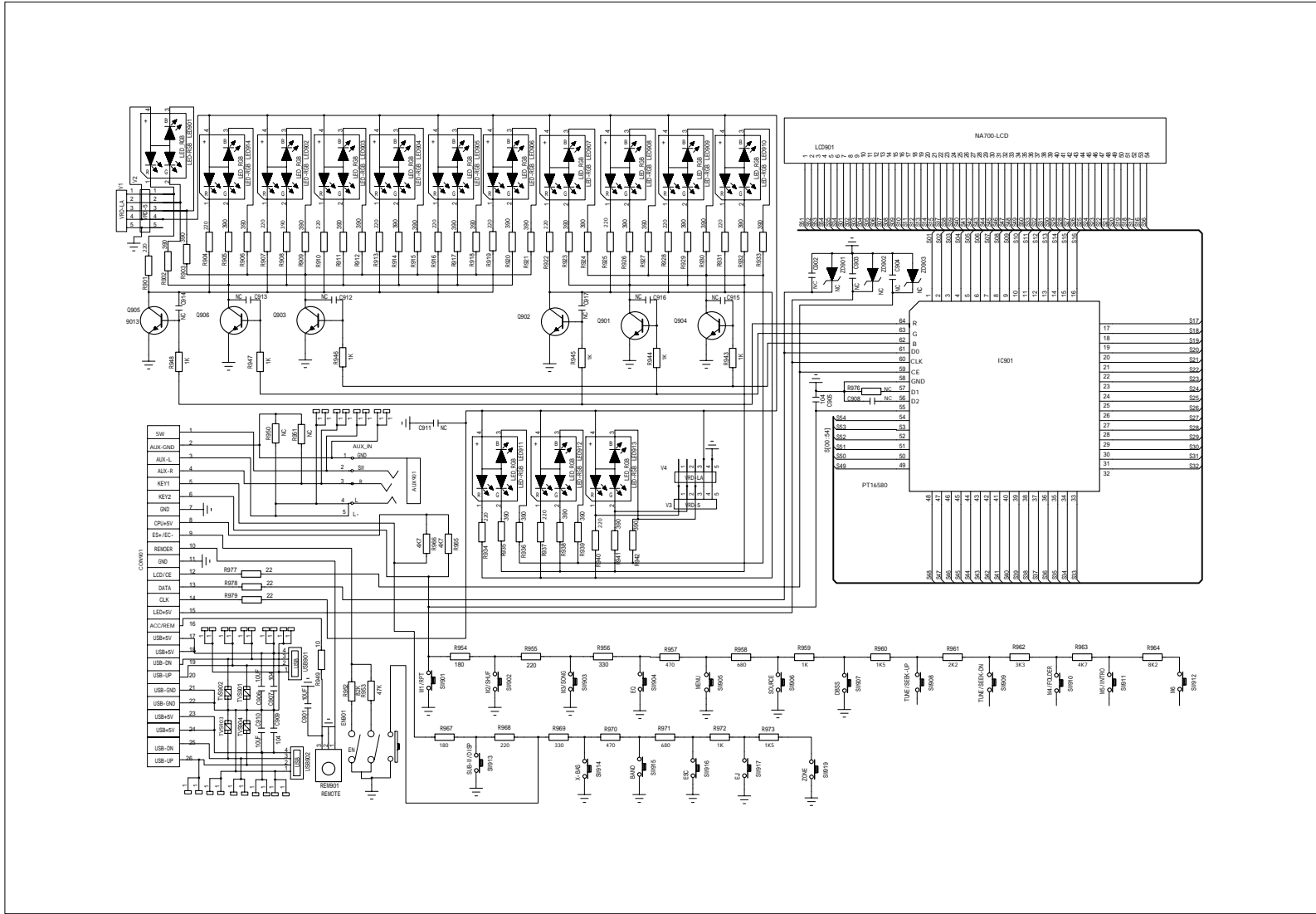
From 2.MCU CON202

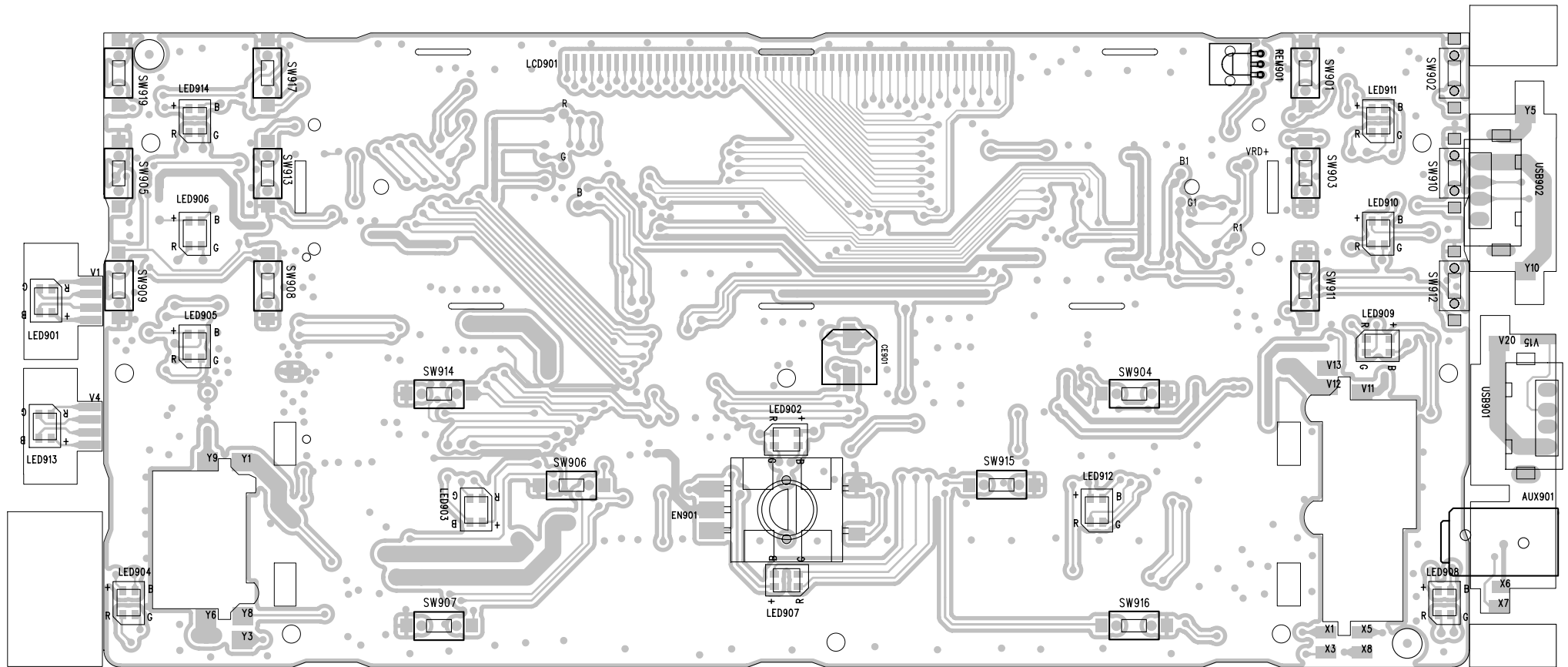
TO Panel-LCD CON901

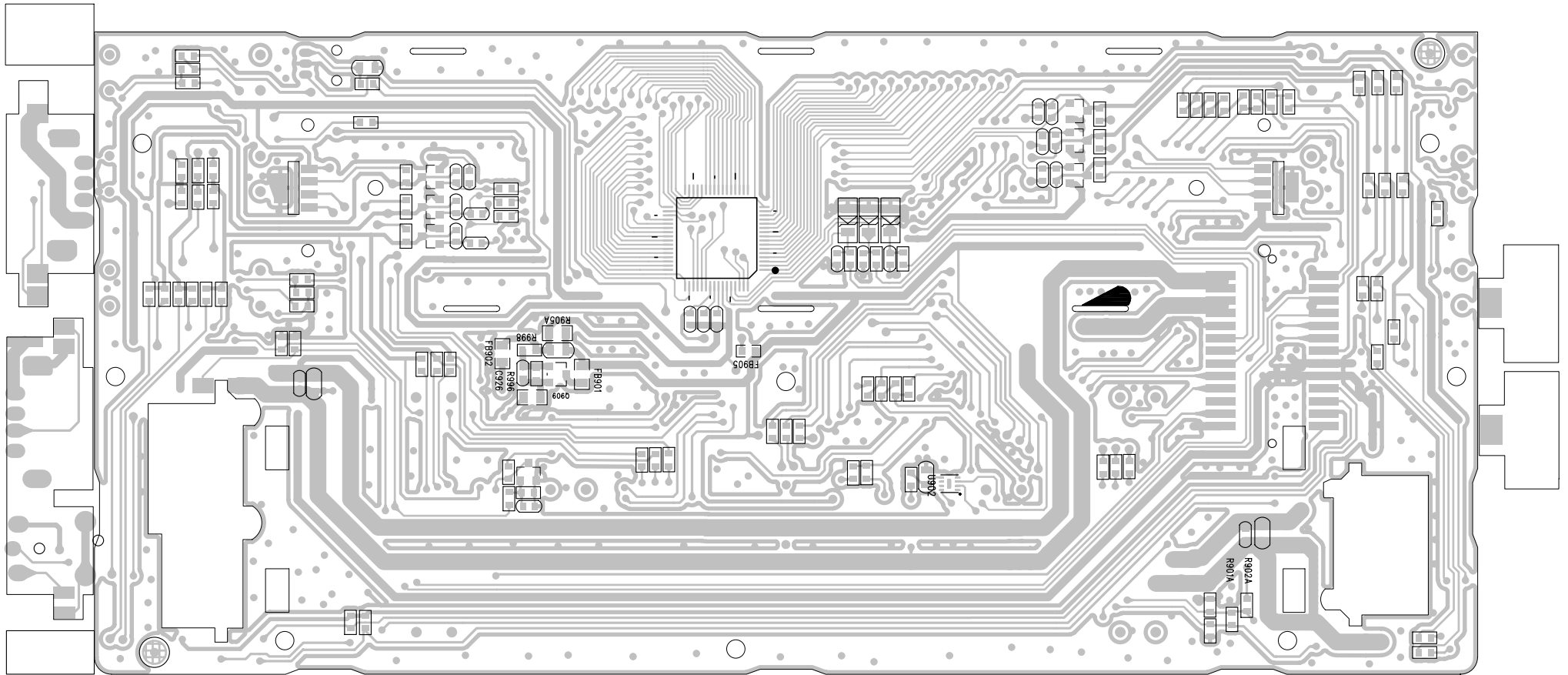


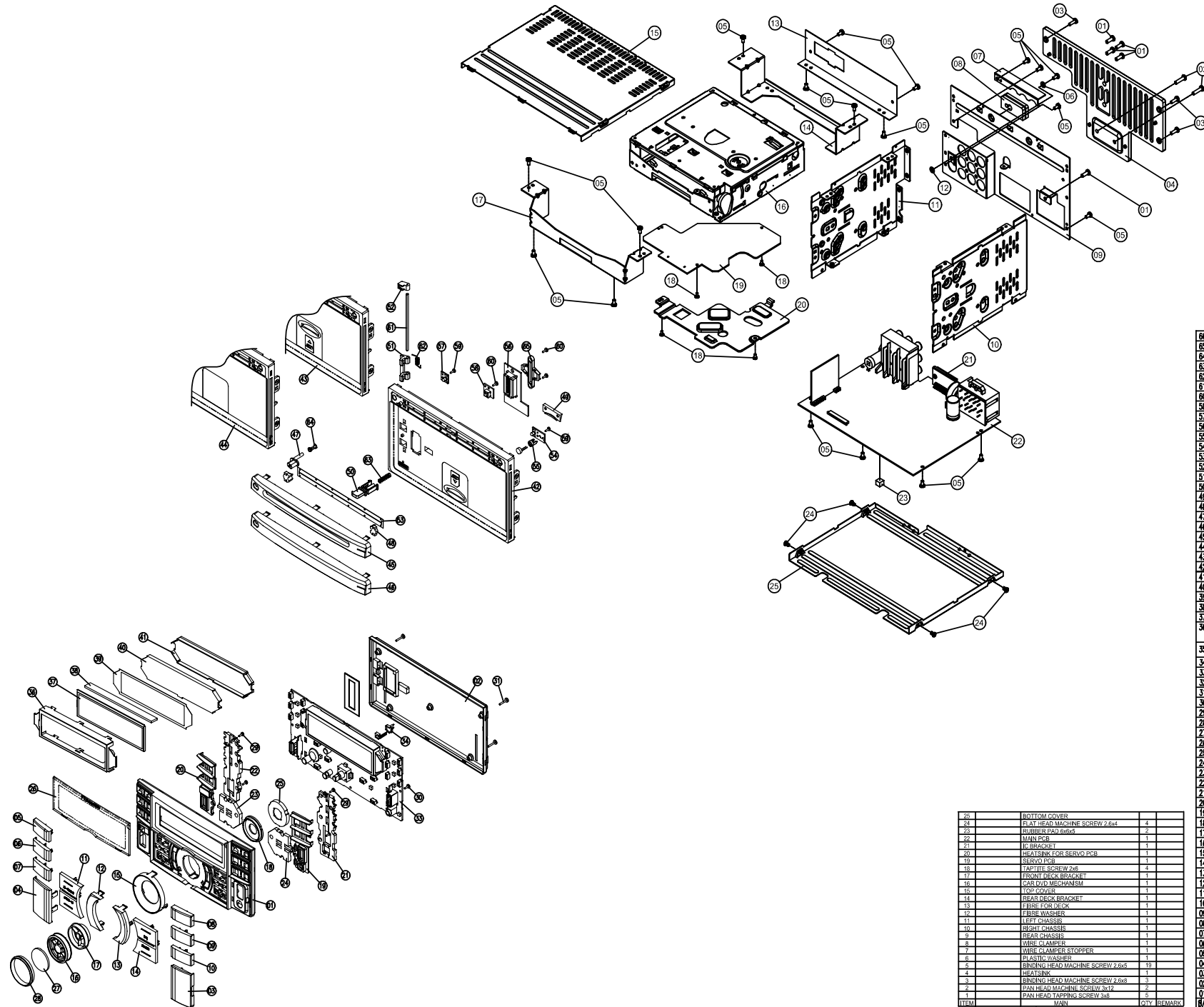












65	线材 7mm, 绝缘丝 1.4mm	1	
65	线材 4mm, 绝缘丝 1.0mm, 长10mm, 20根	1	
64	线材 6mm, 绝缘丝 1.5mm, 总长 20根	1	
63	PCB 5mm, 孔径 0.8mm, 总长 100mm	1	
62	SCREW, S1.2, 5x5mm P/B	3	
61	SCREW, S1.1, 7x5mm P/B	2	
60	Reset PCB	1	
58	LED PCB	1	
57	2PIN Connector PCB	1	
56	800-V470021 MIC Holder, ABS	1	
55	Wic PCB	1	
54	CD Dust Proof	1	
53	800-V470014 Locker Head, 黑色POM	1	
52	800-V470013 Locker Hook, 黑色POM	1	
51	800-V470012 Panel Pusher, 黑色POM	1	
50	800-V470024 Lens SH, 透明110度透明ABS	1	
49	800-V470023 Lens CD, 透明110度透明ABS	2	
48	800-V470018 Press Block, ABS	1	
47	800-V470017 Darton Release, ABS	1	
46	800-V470041 CD Lens Cover, ABS	1	
45	800-V470040 CD Cover, ABS	1	
44	800-V470046 Base SH W/ 黑色ABS	1	
43	800-V470045 Base SH Mid, 黑色ABS	1	
42	800-V470039 Base SH Bottom, 黑色ABS	1	
41	800-V470038 NV700-CD Holder, 白色ABS	1	
40	800-V470037 NV700-Reflector LD, PMA	1	
39	705-V470001 Filter Sheet, 白色聚碳酸酯, 70.0mm	1	
38	413-V470001 Zebra, black, size: 99x8.6x2.0mm	1	
37	440-V470001 LD, size: 99x30x2.5mm, 凹3度	1	
36	850-V470001 LCD Housing, 0.4mm厚半铁片 白色PCBA	2	
35	800-V470020 LED Holder, ABS	2	
34	800-V470019 IR Holder, ABS	1	
33	Main PCB with AV and USB	1	
32	Fibre Pad, Black	1	
31	SCREW, S1.2, 0x10mm P/A oxid Black	5	
30	SCREW, S1.1, 5x5mm P/B	3	
29	SCREW, S1.1, 7x5mm P/B	4	
28	800-V470001 Reflector Head, ABS	1	
27	413-V470001 Knob Cover, 黑色ABS	1	
26	600-V470038 Display Lens, PMMA	1	
25	600-V470034 Reflector Encoder, PMA	1	
24	600-V470033 Reflector Bottom2, PMA	1	
23	600-V470032 Reflector Bottom1, PMA	1	
22	600-V470031 Reflector Left, PMA	1	
21	600-V470030 Reflector Right, PMA	1	
20	600-V470029 Filter Left, 透明110度透明ABS	1	
19	600-V470028 Filter Right, 透明110度透明ABS	1	
18	600-V470025 Filter Ring, 透明110度透明ABS	1	
17	600-V470022 Knob Core, 透明110度透明ABS	1	
16	600-V470016 Knob Body, 黑色ABS	1	
15	600-V470015 Trim Ring, 黑色ABS	1	
14	600-V470014 Button Bottom4, 透明110度透明ABS	1	
13	600-V470013 Button Bottom3, 透明110度透明ABS	1	
12	600-V470012 Button Bottom2, 透明110度透明ABS	1	
11	600-V470011 Button Bottom1, 透明110度透明ABS	1	
10	600-V470010 Button Right03, 透明110度透明ABS	1	
9	600-V470009 Button Right02, 透明110度透明ABS	1	
8	600-V470008 Button Right01, 透明110度透明ABS	1	
07	600-V470007 Button Left03, 透明110度透明ABS	1	
06	600-V470006 Button Left02, 透明110度透明ABS	1	
05	600-V470005 Button Left01, 透明110度透明ABS	1	
04	600-V470004 Left Cover, ABS+PU	1	
03	600-V470003 Right Cover, ABS+PU	1	
02	600-V470002 Back Cabinet, ABS	1	
01	600-V470001 Front Cabinet, ABS	1	
25	BOTTOM COVER	1	
24	FLAT HEAD MACHINE SCREW 2.6x4	4	
23	RUBBER PAD 6x6x5	2	
22	MAIN PCB	1	
21	TOP BRACKET	1	
20	HEATSHINK FOR SERVO PCB	1	
19	SERVO PCB	1	
18	YAPITE SCREW 2x6	4	
17	FRONT DECK BRACKET	1	
16	CAR DVD MECHANISM	1	
15	TOP COVER	1	
14	REAR DECK BRACKET	1	
13	FIBRE WASHER	1	
12	FIBRE FOR DECK	1	
11	LEFT CHASSIS	1	
10	RIGHT CHASSIS	1	
9	HEAD CHASSIS	1	
8	WIRE CLAMPER	1	
7	WIRE CLAMPER STOPPER	1	
6	PLASTIC WASHER	1	
5	BINDING HEAD MACHINE SCREW 2.6x5	19	
4	HEATSHINK	1	
3	BINDING HEAD MACHINE SCREW 2.6x3	3	
2	PAN HEAD MACHINE SCREW 3x12	2	
1	PAN HEAD TAPPING SCREW 3x8	5	
ITEM	MAN.	QTY	REMARK



# **NA788**

---

Car Audio System Player

## **INSTRUCTION MANUAL**

**CD MP3 WMA USB SD**

**AUX-IN BT iPod/iPhone**

**USB 1A Smart Phone Battery Charge**

## Safety

### WARNING

Stop the car before operating the unit.

### Important to know...

- ★ To prevent a short circuit, never put or leave any metallic objects (such as coins or metal tools) inside the unit.
- ★ **Caution:** Adjust the volume so that you can hear sounds outside the car. Driving with the volume too high may cause an accident.
- ★ **Condensation:** When the car is air-conditioned, moisture may collect on the laser lens. This may cause disc read errors. In this case, remove the disc and wait for the moisture to evaporate.
- ★ The illustrations in this manual are examples used to explain more clearly how the controls are used. Therefore, what appears on the illustrations may differ from what appears on the actual equipment.
- ★ If you experience problems during installation, consult your Nakamichi dealer.
- ★ When you purchase external components, check with your Nakamichi dealer to make sure that they work with your model and in your area.

### Maintenance

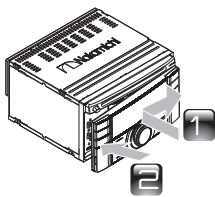
Cleaning the unit: Wipe off the dirt on the panel with a dry silicon or soft cloth. Failure to observe this precaution may result in damage to the monitor or unit.

Cleaning the connector: Wipe off dirt on the connector of the unit and faceplate. Use a cotton swab or cloth.

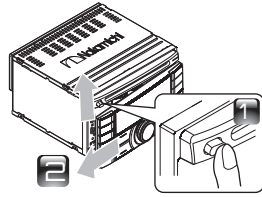
## Preparation

### How to attach/detach the faceplate

#### Attach



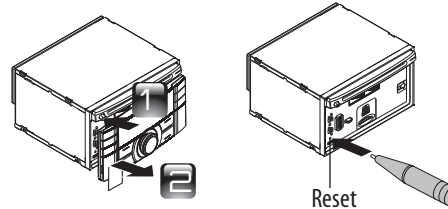
#### Detach



- ★ Do not expose the faceplate to direct sunlight, excessive heat, or humidity. Also avoid places with too much dust or the possibility of water splashing.
- ★ Keep the faceplate in its casing while detached.
- ★ The faceplate is a precision piece of equipment and can be damaged by shocks or jolts.

- ★ To prevent deterioration, do not touch the terminals of the unit and faceplate with your fingers.

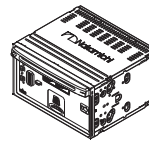
### How to reset your unit



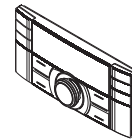
- ★ If this unit fails to operate properly, press the reset button.
- ★ The unit returns to factory settings when the reset button is pressed.

## What's in the box

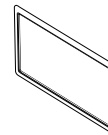
Check and identify the contents of your package:



Main unit



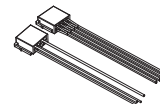
Front panel



Trim plate



Remote control



ISO male connector



Screw x 4pcs



Hexagon head screw



Rubber cushion



User manual

## Installation / Connection

### Basic Procedure

- 1 Remove the key from the ignition switch, then disconnect the  $\ominus$  terminal of the car battery.
- 2 Make proper input and output wire connections.
- 3 Install the unit to your car.
- 4 Reconnect the  $\ominus$  terminal of the car battery.
- 5 Reset the unit.

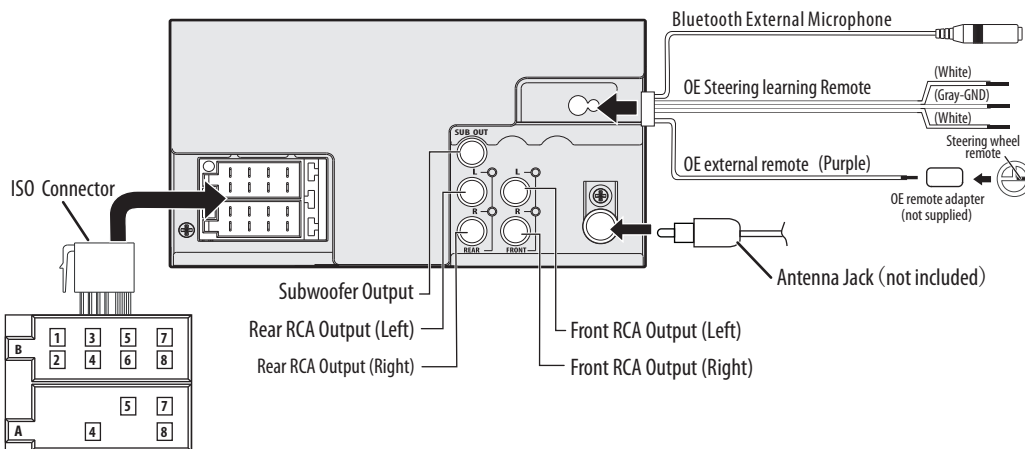
### Warning

- ★ The unit can only be installed in a car with a 12V DC power supply, negative ground.
- ★ If you connect the ignition wire (red) and the battery wire (yellow) to the car chassis (ground), you may cause a short circuit, that in turn may start a fire. Always connect those wires to the power source running through the fuse box.
- ★ Disconnect the battery's negative terminal and make all electrical connections before installing the unit.
- ★ Insulate unconnected wires with vinyl tape or other similar material. To prevent a short circuit, do not remove the caps on the ends of the unconnected wires or the terminals.
- ★ Be sure to ground this unit to the car's chassis again after installation.
- ★ If the power is not turned ON, the speaker wire may have a short-circuit or touched the chassis of the vehicle and the protection function may have been activated. Therefore, the speaker wire should be checked.

### Caution

- ★ If your car's ignition does not have an ACC position, connect the ignition wires to a power source that can be turned on and off with the ignition key. If you connect the ignition wire to a power source with a constant voltage supply, as with battery wires, the battery may die.
- ★ Install this unit in the console of your vehicle. Make sure the faceplate will not hit the lid of the console (if any) when closing and opening.
- ★ After the unit is installed, check whether the brake lamps, blinkers, wipers, etc. on the car are working properly.
- ★ Mount the unit so that the mounting angle is 30° or less.
- ★ If the fuse blows, first make sure the wires are not touching to cause a short circuit, then replace the old fuse with one that has the same rating.
- ★ Connect the speaker wires correctly to the terminals to which they correspond. The unit may be damaged or fail to work if you share the  $\ominus$  wires or ground them to any metal part in the car.
- ★ When only two speakers are being connected to the system, connect the connectors either to both the front output terminals or to both the rear output terminals (do not mix front and rear).
- ★ Mounting and wiring this product requires skills and experience. For safety's sake, leave this work to professionals. If you experience problems during installation, consult your Nakamichi dealer.

### Wiring Connection



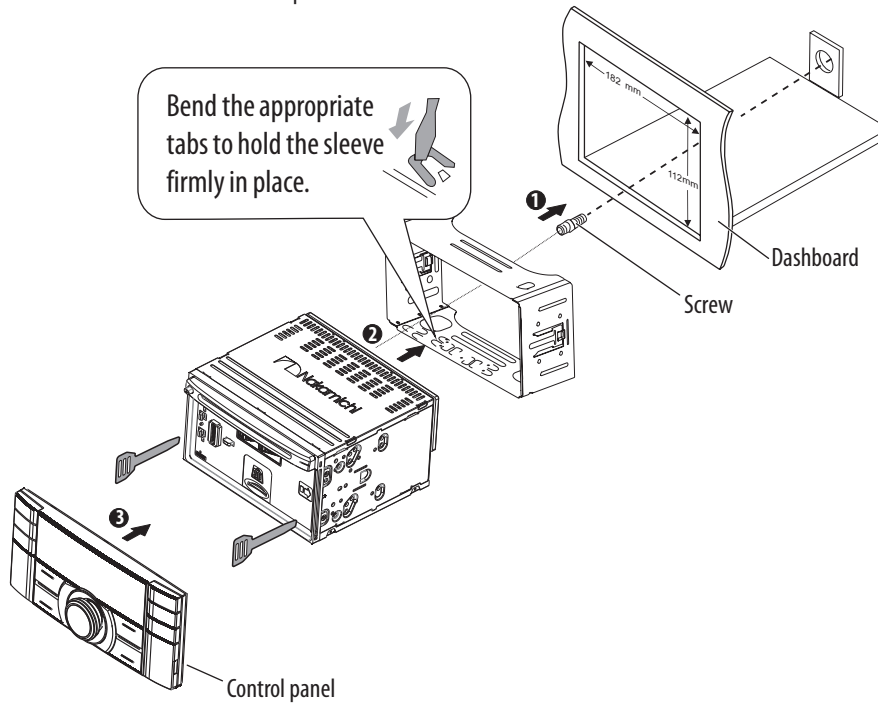
### ISO Connector Wiring Chart

Pin	Color	function	Pin	Color	function
A4	Yellow	Battery(+)	B1/B2	Violet $\oplus$ / Violet/Black $\ominus$	Right rear speaker
A5	Blue	Connect to system control terminal of the power AMP or auto antenna relay control terminal(Max 150MA 12VDC)	B3/B4	Grey $\oplus$ / Grey/Black $\ominus$	Right front speaker
A7	Red	Ignition(ACC)	B5/B6	White $\oplus$ / White/Black $\ominus$	Left front speaker
A8	Black	Ground	B7/B8	Green $\oplus$ / Green/Black $\ominus$	Left rear speaker

## Installing the unit

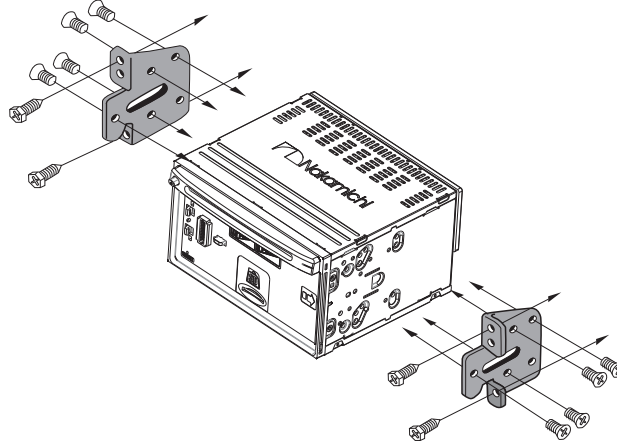
### Installation with the half sleeve

After inserting the half sleeve into the dashboard, select the appropriate tab according to the thickness of the dashboard material and bend them inwards to secure the holder in place.



### Installation using the screw holes on the side of the unit

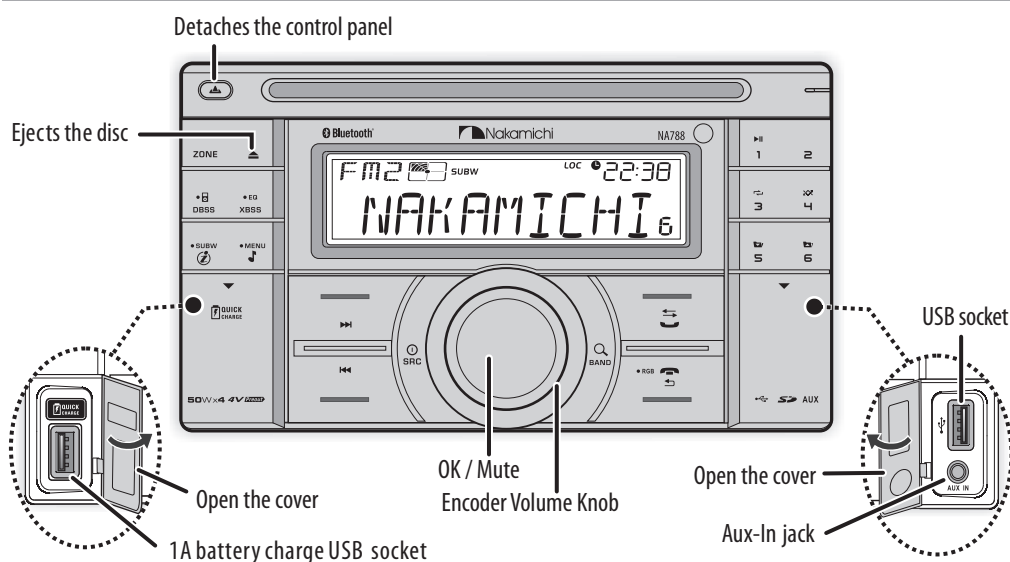
Select a position where the screw holes of the bracket and the screw holes of the main unit become aligned (are fitted) and tighten the screws at 2 places on each side.



**⚠** All the mounting sleeve & screw are not included in this packing.



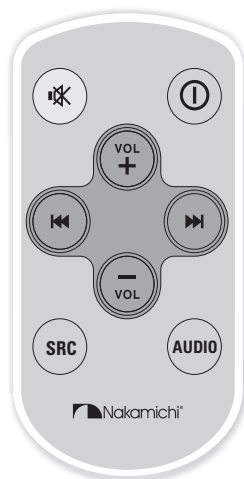
## Basic Operation



### When you press or hold the following button(s)...

Main unit	General operation
ZONE	Switch music listening zone for the best speaker sound. (FRONT ALL / FRONT LEFT / FRONT RIGHT / ZONE OFF).
• EQ XBSS	<ul style="list-style-type: none"> <li>To adjust the EQ (Preset Equalizer) setting.</li> <li>Turn On or Off the Xbass booster function.</li> </ul>
• DBSS	<ul style="list-style-type: none"> <li>To turn On or Off dynamic bass boost sound.</li> <li>Press and hold to enter into iPod/iPhone control mode.</li> </ul>
• MENU 🎵	<ul style="list-style-type: none"> <li>To access into the Audio Menu mode.</li> <li>press and hold to enter into the System Menu mode.</li> </ul>
• SUBW 🌀	<ul style="list-style-type: none"> <li>Under Media playback mode to view play informations.</li> <li>Under RDS mode to view RDS received information.</li> <li>Press and hold turn On or Off the subwoofer function.</li> </ul>
⏮️/⏭️	<ul style="list-style-type: none"> <li>Under Radio mode to enter into the Auto Seek mode, press and hold to enter into the Manual Seek mode.</li> <li>Under Media playback mode to skip track / file, press and hold to fast forward / backward.</li> </ul>
Ⓜ️ SRC	<ul style="list-style-type: none"> <li>Turn the unit on. Press and hold again to turn the unit off.</li> <li>Select the available sources (Radio, Disc, USB (USB-iPod/iPhone), SD, BT AUDIO or Aux-In), if the power is turned on.</li> </ul>
OK / Mute	<ul style="list-style-type: none"> <li>Turn mute or restore volume.</li> <li>Confirms selection.</li> </ul>
Rotatory Volume knob	<ul style="list-style-type: none"> <li>Rotate it to increase or decrease the volume.</li> <li>Select items.</li> </ul>
🔍 BAND	<ul style="list-style-type: none"> <li>Select the FM bands (FM1/ FM2/ FM3) or AM1 (MW1) / AM2 (MW2).</li> <li>Under media playback to access into search mode.</li> </ul>
📞	<ul style="list-style-type: none"> <li>To answer / accept the call.</li> <li>During the talking, press and hold to transfer the call.</li> </ul>
• RGB 📞	<ul style="list-style-type: none"> <li>To reject / end the call.</li> <li>Returns to the previous item.</li> <li>Press and hold access into the VRD display color setting mode.</li> </ul>
⏸️	Pause/resume playback of a Disc, USB / SD device, iPod/iPhone.

## Remote Control Operation



### When you press or hold the following button(s)...

Main unit	General operation
	Turn mute or restore volume.
	Press turn the unit on or off.
	Press increase the volume.
	Press decrease the volume.
	<ul style="list-style-type: none"> <li>■ Under Radio mode to enter into the Auto Seek mode, press and hold to enter into the Manual Seek mode.</li> <li>■ Under Media playback mode to skip track / file, press and hold to fast forward / backward.</li> </ul>
<b>SRC</b>	Selects the available sources (Radio, Disc, USB (USB-iPod/iPhone), SD, BT AUDIO or Aux-In), if the power is turned on.
<b>AUDIO</b>	Press to access into the Audio Menu mode.

## Function Settings

- 1 Press **MENU** to access into the **[AUDIO MENU]** mode, press and hold to enter into the **[MENU]** mode.
- 2 Press **◀/▶** repeatedly to select the item to be adjusted.
- 3 Turn the encoder volume knob to select a value / option.

### [AUDIO MENU]...

Item	Selectable Setting
BASS ADJUST	
BASS LEVEL	Adjust the level -7 to +7.
MIDDLE ADJUST	
MIDDLE LEVEL	Adjust the level -7 to +7.
TREBLE ADJUST	
TREBLE LEVEL	Adjust the level -7 to +7.
BALANCE	Adjust the balance between the right and left speakers from 12R (full right) to 12L (full left).
FADER	Adjust the fader between the front and rear speakers from 12R (full rear) to 12F (full front).
SUBWOOFER ADJUST	
SUBWOOFER LEVEL	Adjust the level 0 to 12.
SUBWOOFER LPF	Subwoofer low pass filter range: 80 / 120 / 160.
RESUME	Resume the preset EQ value to factory default value.

### [MENU]...

Item	Selectable Setting
CLOCK	
CLOCK SET	Adjust the Hours and Minutes
CLOCK FORMAT	Select the time format 12H or 24H
BEEP TONE	Turn On or Off this beep sound
DEMO	To automatically demo this unit's major features cyclic on LCD display.
SWC SET } }	If you car is equipped with the steering wheel remote controller, you can operate this unit using the controller. <ul style="list-style-type: none"> <li>■ Press the "OK / Mute" to access into SWC SET mode.</li> <li>■ Rotate encoder volume knob to select the function you want the steering remote to learn, then press and hold the same function button on the steering wheel remote until "SUCCEED" is displayed.</li> </ul>
RGB COLOR	This unit is equipped with variable color display. Once into the RGB COLOR mode, rotating encoder volue knob to selected the LCD color. <ul style="list-style-type: none"> <li>■ COLOR SCAN (default setting); WHITE; GREEN 1; GREEN 2; GREEN 3; AMBER; PINK 1; PINK 2; PURPLE 1; PURPLE 2; BLUE 1; BLUE 2; ORANGE; USER COLOR; SCAN.</li> </ul>

### [ZONE]...

This innovative Zone technology enables driver or passengers to enjoy music with the best speakers balance and experience a more vivid spacial effect as the artist is intended to create. User can switch the music listening zone from driver to passengers for the best speaker sound settings in car.

- 1 Press the **ZONE** button, The current setting is displayed.
- 2 Press the **ZONE** repeatedly to select one of the below setting :
  - **FRONT ALL** ( All)
  - **FRONT LEFT** ( Left)
  - **FRONT RIGHT**(Right)
  - **ZONE OFF** (Off)

## Listening to the Radio



- Hold for about 2 seconds to memorize the current station.
- Press briefly to recall memorized station.

In receive traffic, press to cancel receive the current traffic.

- 1 Press repeatedly to a band ( FM1, FM2, FM3, AM1(MW1) or AM2 (MW2) ).
- 2 Press to search for a station.
- 3 Press repeatedly to view RDS received information.

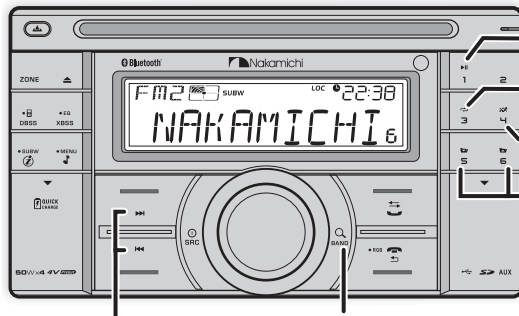
### Adjust [MENU] mode settings

While listening to the radio...

- 1 Press and hold to enter into the [MENU] mode.
- 2 Press repeatedly to select the item to be adjusted.
- 3 Turn the encoder volume knob to select a value / option.

Item	Selectable Setting
AUTO STORE	Press the "OK / Mute" to access into Auto Store mode, the six strongest stations of the selected band are saved in preset channel automatically: FM1, FM2, FM3(1-6), AM1, AM2.
PTY (Program Type)	Once into the PTY mode, press the "OK / Mute" get into program type item, and rotating encoder volume knob to selected category. <ul style="list-style-type: none"> <li>■ <b>Available Program Type:</b> POP M; ROCK M; EASY M; LIGHT M; CLASSICS; OTHER M; JAZZ M; COUNTRY; NATION M; OLDIES M; FOLK M; A-TEST; ALARM; NEWS; AFFAIRS; INFO; SPORT; EDUCATE; DRAMA; CULTURE; SCIENCE; VARIED; WEATHER; FINANCE; CHILDREN; SOCIAL; RELIGION; PHONE IN; TRAVEL; LEISURE; DOCUMENT</li> </ul>
AF (Alternate Frequencies)	<ul style="list-style-type: none"> <li>■ ON: The unit will be searches for another station with stronger signal, but with the same program identification as the current station automatically.</li> <li>■ OFF: Cancel</li> </ul>
TA (Traffic Announcement)	<ul style="list-style-type: none"> <li>■ ON: When there is traffic announcement, the unit switches to the tuner mode (regardless of the current mode) and begins to broadcast the announcemet on traffic conditions. When the trafficanouncement is over, it returns to the previous mode.</li> <li>■ OFF: Traffic announcement does not cut in.</li> </ul>
RDS On/Off	Turn On or Off the RDS function.
AREA	Select suitable country region of the radio: USA; LATIN; EUROPE; RUSSIA(0irt); M-EAST; ASIA; JAPAN; AUST (Australia)
LOCAL SEEK	To receive more radio stations or only stations with strong signal, you can adjust the radio sensitivity.

## Listening to a Disc/ USB/SD device




- Press to select a track / file.
- Press and hold for fast forward / backward.

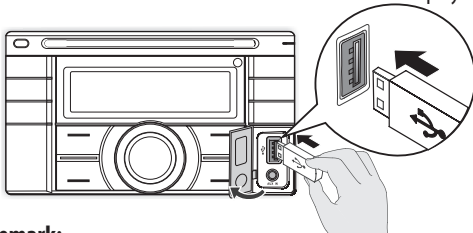
- Press to pause. Press again to resume playback.
- Press to repeat one track, press again to repeat all tracks.
- Press and hold repeat a folder.
- Press to start random play, press again to cancel random play.
- Press and hold random a folder.
- Press to move next/previous folder.

### Playing a disc

Insert the disc into the DiscSlot with label side facing up, Press the "SRC" button to select the Disc mode to start playing.

### Playing a USB device

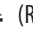
- 1 Open the cover marked  on the front panel.
- 2 Insert the USB device into the USB socket.
- 3 Press the "SRC" button to select the USB mode to start playing.

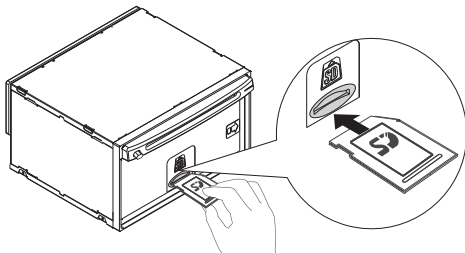


#### Remark:

This USB is compatible with iPhone / iPod, USB stick, and play the songs in some Hand phone & recharge them. ( Subject to the brand & model of the Hand phone )

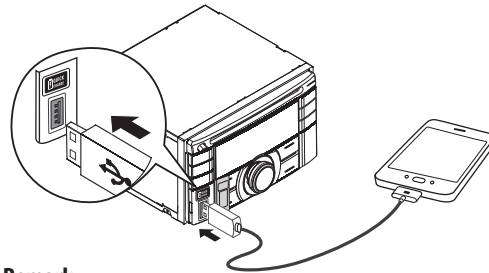
### Playing a SD memory card

- 1 Press the Panel  (Release) button.
- 2 Push the left side of the panel rightward
- 3 Insert the card into the card slot.
- 4 Close the front panel.
- 5 Press the "SRC" button to select the SD mode to start playing.



### USB Smart Phone 1A charging

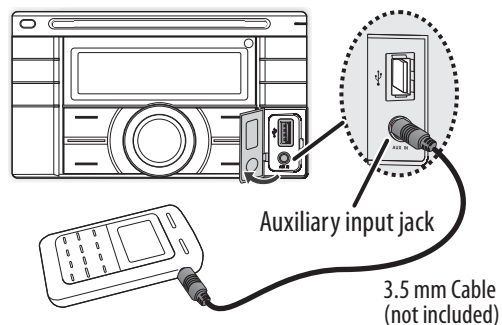
- 1 Open the cover marked "QUICK CHARGE" on the front panel.
- 2 Insert the iPhone/Smart Phone device into the USB socket.
- 3 Once the iPhone/Smart Phone is connected and recognized, the iPhone/Smart Phone begins to charge.



#### Remark:

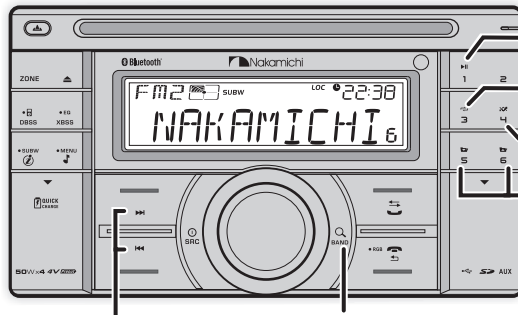
This USB only can charge Phones, but cannot play or decode music files.

### Listening to the other external components



- 1 Press the **SRC** to select AUX-IN mode.
- 2 Turn on the external component and start playing.

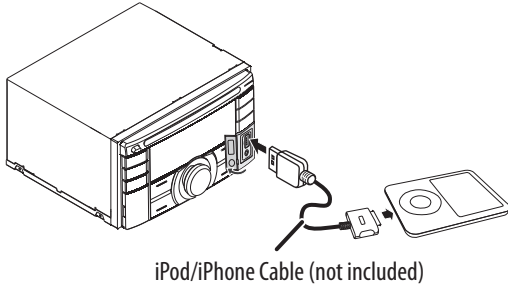
## Listening to the iPod / iPhone



- Press to pause. Press again to resume playback.
- Press to repeat one track, press again to repeat all tracks.
- Press and hold repeat a folder.
- Press to start random play, press again to cancel random play.
- Press and hold random a folder.
- Press to move next/previous folder.
- Press to select a track / file.
- Press into search mode
- Press and hold for fast forward / backward.

### Playing a iPod / iPhone

- 1 Open the cover marked on the front panel.
- 2 Insert the USB adaptor on one end of iPod/iPhone cable into the USB socket.
- 3 Press the "SRC" button to select the USB-iPod/iPhone mode to start playing.



### Search for music on unit

- 1 Press to browse iPod/iPhone menu.
- 2 Rotate Encoder Volume knob to select the Artist search mode, and press "OK/Mute" to confirm.
- 3 Press to search alphabetically.
- 4 Rotate Encoder Volume knob to select the Album, then press "OK/Mute" to confirm.
- 5 Rotate Encoder Volume knob to select desired song in the current album, press "OK/Mute" to confirm start play.

#### Remark:

To go back to upper level of a folder, press .

### Search for music on iPod / iPhone

- 1 Press on front panel to switch the iPod/iPhone control mode.
- 2 Use the iPod / iPhone to search / operates music control.

#### Remark:

Please make sure the iPod / iPhone cable is connected correctly. And please only use original iPod / iPhone cable (not supplied).

### Compatible iPod/iPhone

Apple iPod and iPhone models with a 30-pin dock connector:

- iPod nano (2nd generation)
- iPod nano (3rd generation, 4GB only)
- iPod nano (3rd generation, 8GB only)
- iPod nano (4th generation)
- iPod nano (5th generation)
- iPod classic (1st generation)
- iPod classic (2nd generation)
- iPod touch (1st generation)
- iPod touch (2nd generation)
- iPod touch (3rd generation)
- iPod video (30GB, 80GB only)
- iPhone
- iPhone 3G
- iPhone 3GS
- iPhone 4
- iPhone 4S
- iPhone 5

## Operation of Bluetooth Hands-Free



Press to change to "BT AUDIO" mode.

You can make or receive phone calls with Bluetooth-enabled phones through the unit. You can also listen to music from a Bluetooth-enabled device.

### Getting Started

Before use the Bluetooth device, you need to pair the device to the unit. Pairing needs only to be done once.

#### Pairing the Bluetooth devices

- 1 Open your mobile phone and switch bluetooth on.
- 2 Search for other bluetooth device with your device.
- 3 Select "NAKAMICHI" in the pairing list.
- 4 Input the password "0000"
- 5 [Pairing OK] will be displayed on the screen if pairing is successful, and the paired device will connect to the car audio system automatically.

#### Disconnect the bluetooth

- 1 Press and hold **MENU** to enter into the [MENU] mode.
- 2 Once the [DISCONN] is displayed, press "OK / Mute" to activate the manual Disconnect mode.

#### Re-connect the bluetooth

- 1 Press and hold **MENU** to enter into the [MENU] mode.
- 2 Once the [BT CONNECT] is displayed, press "OK / Mute" to activate the manual Re-connect mode.

### Making a Call

You can dial number through the mobile phone.

- 1 Use the Mobile Phone to dial and make an outgoing call.
- 2 Once completed the dialing, [CALLING] is displayed.

#### To redial number

- 1 Press **CALL** on front panel to redial.
- 2 Press **CALL** once again, unit will display [CALLING], and the unit starts dialing the number dialed last time.

#### Remark:

To make an outgoing call on this unit, the bluetooth connection between the unit and the phone must be active.

### Receiving a Call

- 1 If there is incoming call, the phone number is displayed. if the incoming call has no phone number, [PHONE IN] is displayed.
- 2 Press **CALL** to answer / accept the call.
- 3 When conversation ends, press **CALL** to terminate the call.

### Call Transfer

You can transfer voice from loudspeaker to mobile phones during call.

During talking, press and hold **CALL** voice transfers from loudspeaker to mobile phone.

### Bluetooth Audio Streaming A2DP

If the connected Bluetooth device supports Advanced Audio Distribution Profile (A2DP), you can listen to the music stored on the device through the unit. If the device also supports Audio Video Remote Control Profile (AVRCP) profile, you can use the control on the unit or its remote control to play music stored on the device.

- 1 Press **SRC** repeatedly to select [BT AUDIO].
- 2 Press **PLAY** to start play, press it again to pause.
- 3 To track up/down, press **PREV** / **NEXT**.

## Product Information

---

### General

Power Supply: 12V DC (10.5-14.4V), negative ground  
Fuse: 15A  
Suitable Speaker Impedance: 4-8 $\Omega$   
Aux-In level: 800mV

### Audio Section

Maximum Power Output: Mosfet 50W x 4 Channels  
Continous Power Output: 24W x 4 RMS  
Pre-AMP Output Voltage: 4V  
Subwoofer Output Voltage: 3V

### FM tuner section

Frequency Range: 87.5 - 108MHz  
Usable Sensitivity: Better than 15dB at S/N 30dB

### AM tuner section

Frequency Range: 522 - 1620KHz  
Usable Sensitivity: Better than 45dB at S/N 26dB

### USB devices

USB Flash Memory: USB 1.1 & 2.0 Compatible

### Memory Card

Support type of memory card: SD/SDHC

### Bluetooth

Output power: Class 2  
Frequency band: 2.4000GHz-2.4835GHz ISM Band  
Range: 3 meters (free space)  
Standard: Bluetooth 2.0 specification

### About Audio file

- USB or memory file system: FAT16, FAT32
- MP3/WMA bit rate: 32-320kbps and variable bit rate
- MP3 sampling frequencies: 8-48kHz
- WMA sampling frequencies: 32kHz, 44.1kHz, 48kHz
- ID3 tag v1.0 or later

### USB Smart Phone 1A charging

Output Voltage: 5 V DC  
Output Current: 1000 mA (1A)





---

 Nakamichi®

[www.nakamichicaraudio.com](http://www.nakamichicaraudio.com)