

Trim ring: matt black

IR windows: semi-transparent grey

front cabinet: spray matt black

hot-stamp finishing, dark chrome

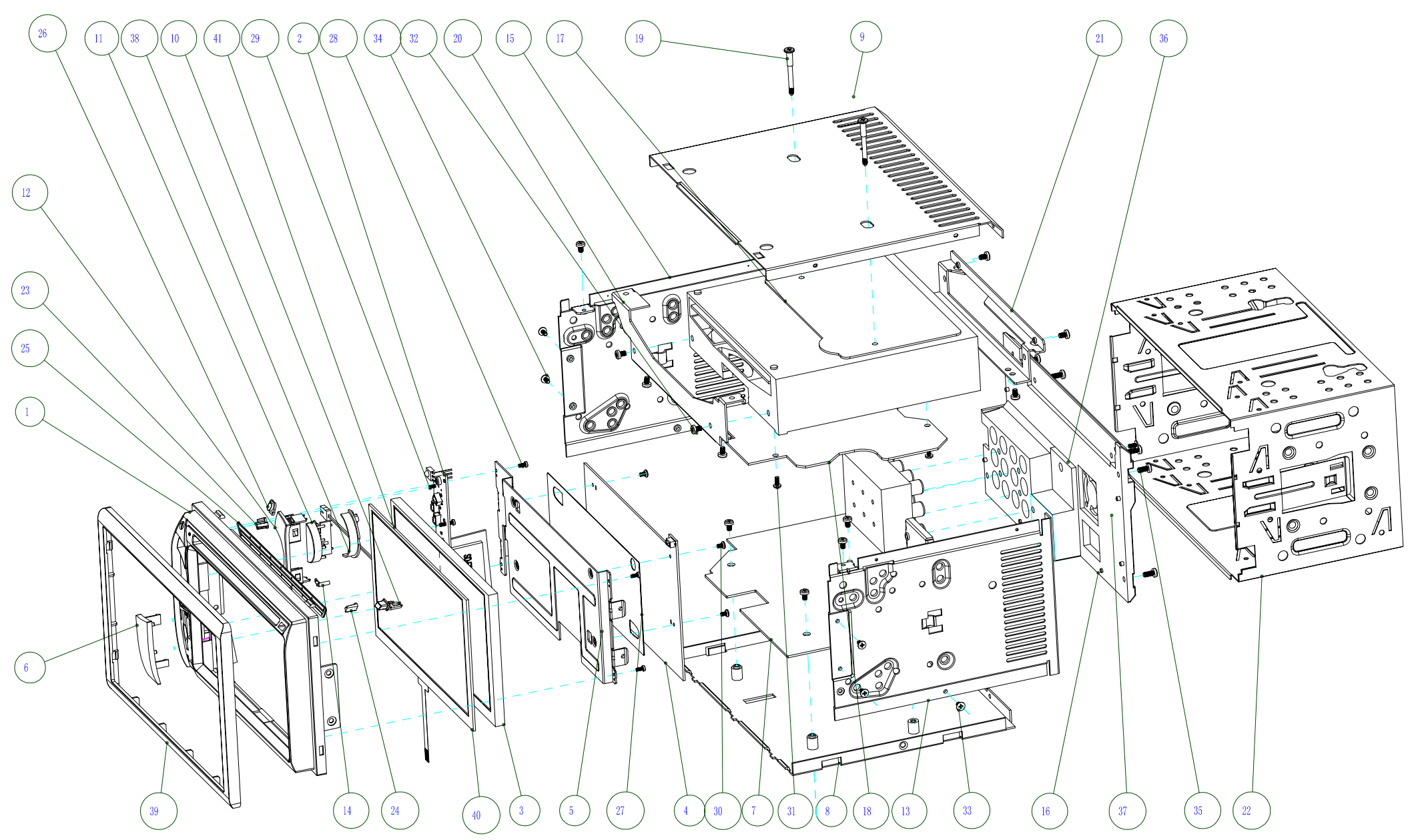


Button: spray matt black, red backlight

USB cover: spray matt black

dark chrome

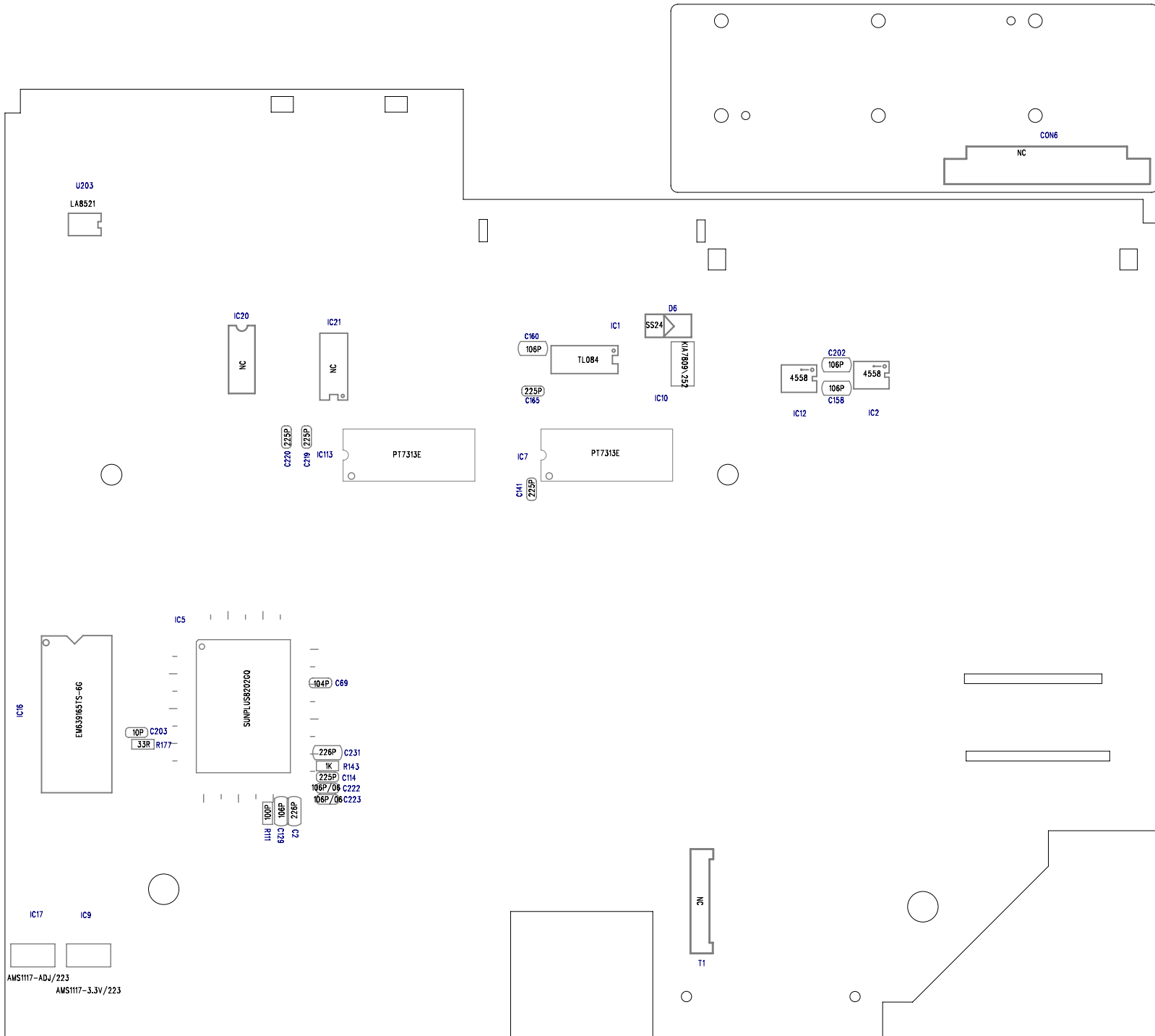
REV.	X POINT	REASON	DATE

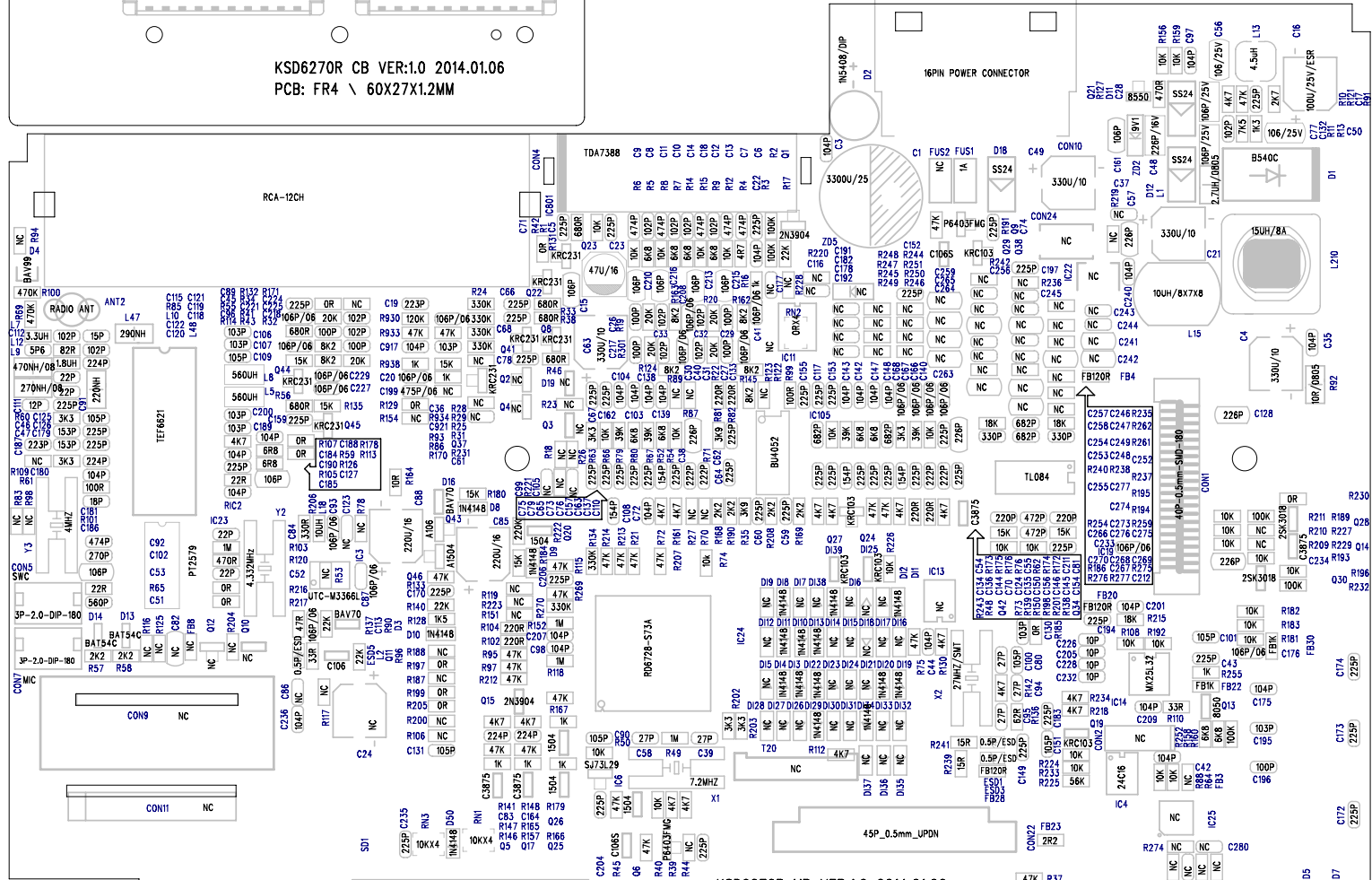
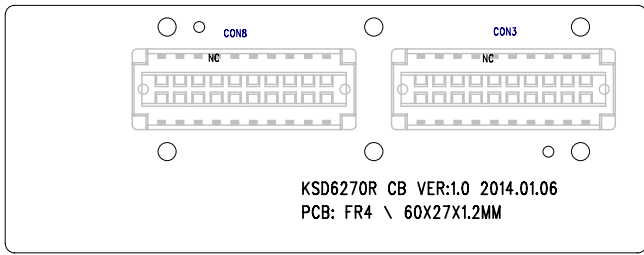


41	EVA	1	57-36100201-00-00	EVA
40	触摸屏	1		
39	装饰框	1	98-04626001-08-00	ABS
38	装饰圈	1	97-43610000-13-00	ABS
37	螺丝	2	70-30162000-10-00	低碳钢
36	螺丝	4	70-30100011-10-00	低碳钢
35	螺丝	6	70-26082000-10-02	低碳钢
34	螺丝	4	70-26051000-10-00	低碳钢
33	螺丝	4	70-26043000-10-00	低碳钢
32	螺丝	14	70-26042000-10-00	低碳钢
31	螺丝	3	70-20052000-00-00	低碳钢
30	螺丝	4	70-20032001-10-00	低碳钢
29	螺丝	3	70-17082001-10-00	低碳钢
28	螺丝	4	70-17041000-10-00	低碳钢
27	绝缘PC片	1	56-36110401-00-00	PC
26	红外镜片	1	94-14700000-00-00	PC
25	碟口防尘布	1	51-36110201-00-00	PET+仿狼皮
24	碟口灯镜	1	94-23611010-00-00	PC
23	碟口灯镜	1	94-23611000-0-00	PC
22	柜桶	1	60-36500121-00-00	SECC
21	机芯后支架	1	62-36100010-00-00	SECC
20	机芯前支架	1	61-36100000-01-00	SECC
19	机芯保护螺丝	2		低碳钢
18	机芯伺服板	1		
17	机芯	1		
16	散热片	1	60-36500121-00-00	压铸铝
15	左侧板	1	61-46260512-00-00	SECC
14	复位按钮	1	95-03610003-08-01	ABS
13	右侧板	1	61-46260612-00-00	SECC
12	双功能钮	1	95-03610001-08-01	ABS
11	单功能钮	1	95-03610002-08-01	ABS
10	出碟钮	1	95-03611003-08-01	ABS
9	五金顶盖	1	61-46260003-00-00	SECC
8	五金底盖	1	61-46260102-00-00	SECC
7	主板	1		
6	USB盖	1	98-03610002-08-01	ABS+TPU
5	TFT-PCB支架	1	62-36100020-00-00	SECC
4	TFT-PCB	1		
3	TFT-LCD	1		
2	KB板	1		
1	面壳	1	91-03610000-08-01	ABS+PMMA

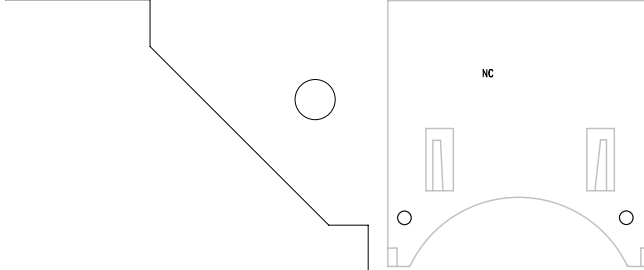
ITEM NO		PART NAME		QTY	PATR NUMBER	MATERIAL
* DO NOT SCALE DRAWING *						
UNLESS OTHERWISE SPECIFIED						
DIMENSIONS ARE IN MM						
DETAILS		TOLERANCES		ANGULAR		
0.5-1.0mm	±0.10mm	1.0-2.0mm	±0.20mm	±0.5°		
1.0-2.0mm	±0.15mm	2.0-5.0mm	±0.30mm			
5.0-10.0mm	±0.20mm	10.0-20.0mm	±0.40mm			
DRAWN BY:		CHECK BY:		APPROVAL BY:		
DATE:		DATE:		DATE:		
TITLE :				PART NO. :		MODEL :
MATERIAL :				VER. :		
SCALE :				IN THIS DRAWING		SIZE
				PROJECTION		A2
				SHEET :		

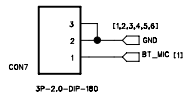
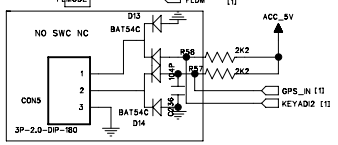
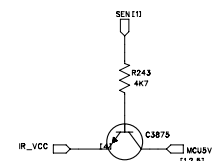
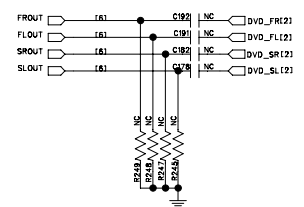
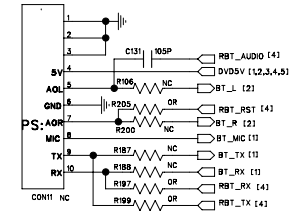
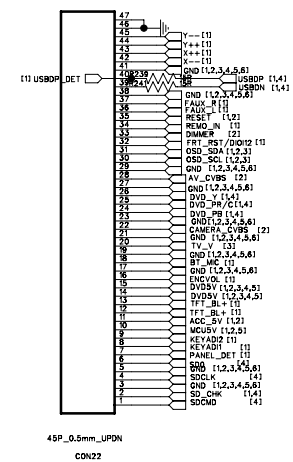
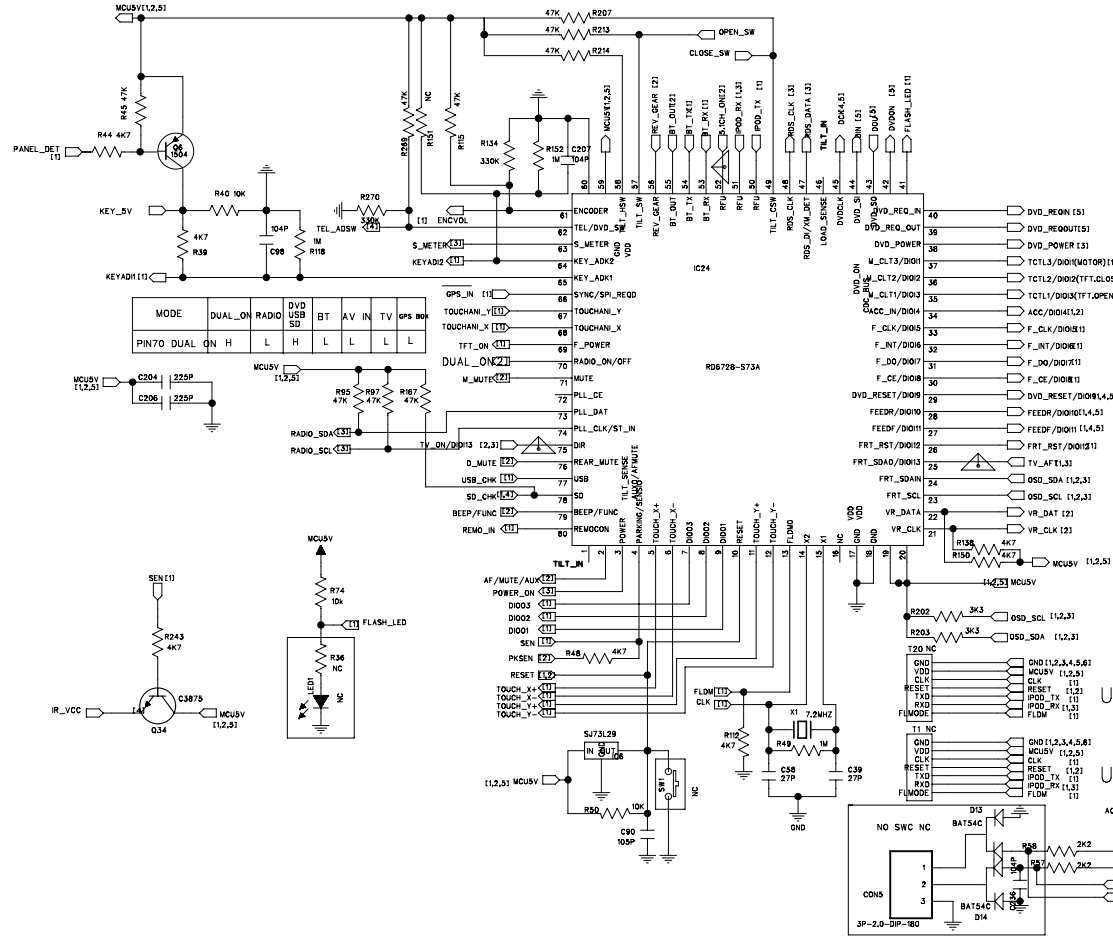
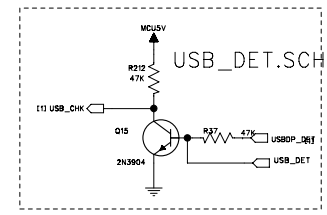
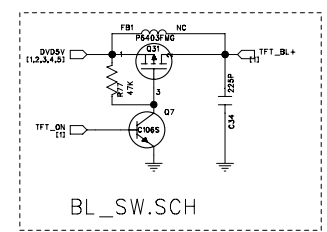
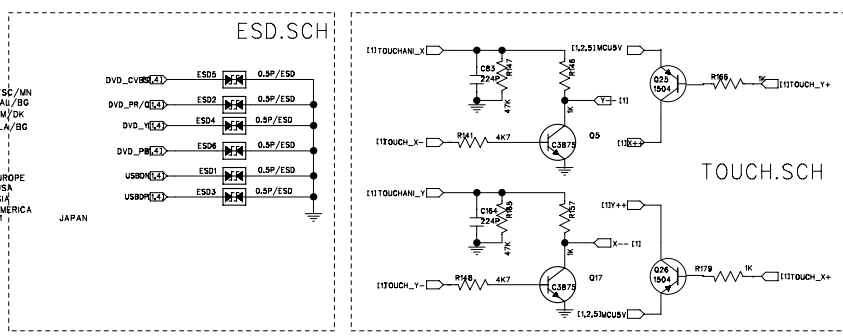
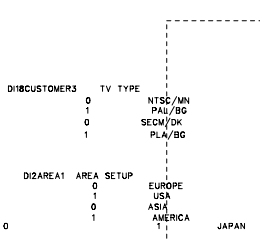
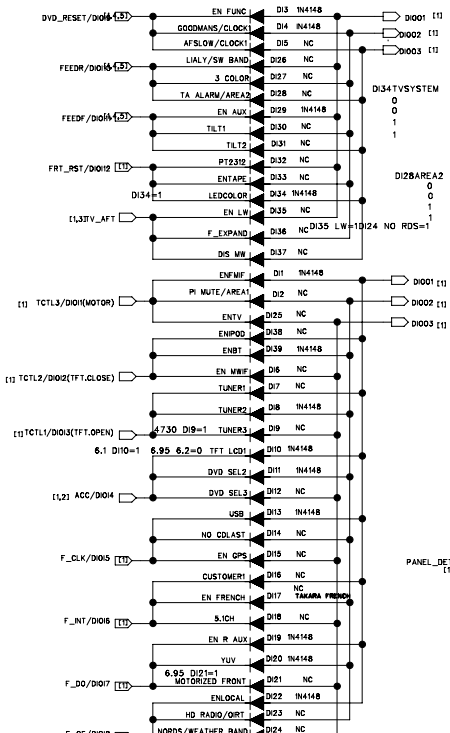
深圳东和精密技术有限公司
 DONGHE PRECISION TECHNOLOGY CO., LTD.





KSD6270R MB VER:1.0 2014.01.06
PCB: FR4 \ 165.6X136X1.2MM

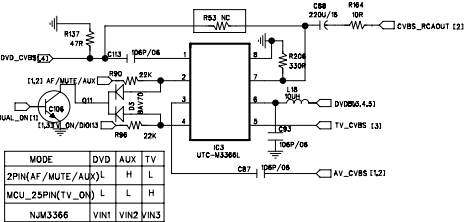




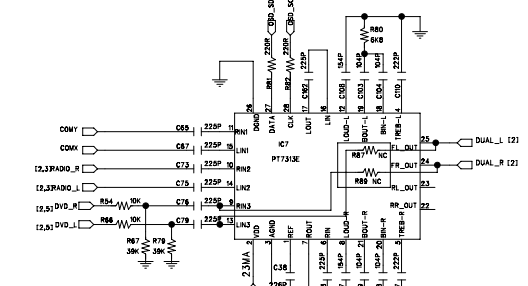
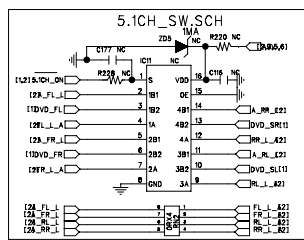
UPGRADE
UPGRADE

1.2	VER	REVISIONS	DATE
1.1			

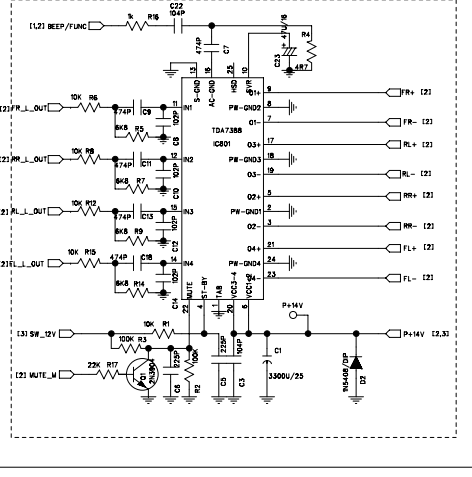
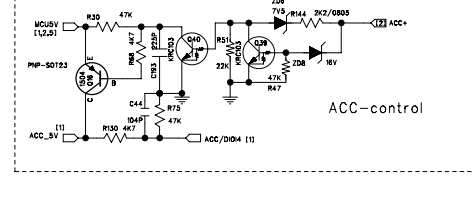
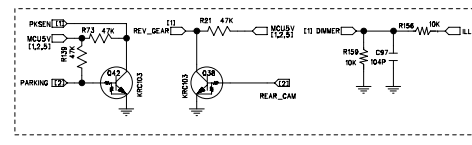
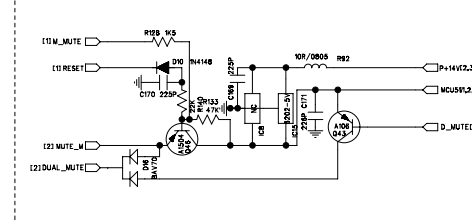
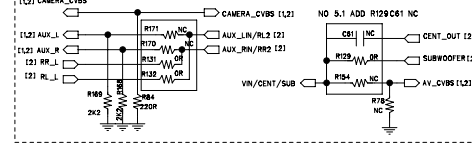
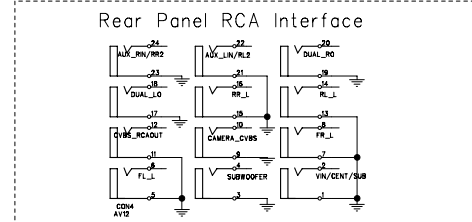
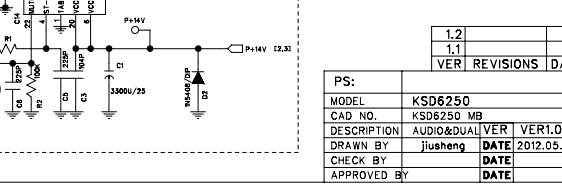
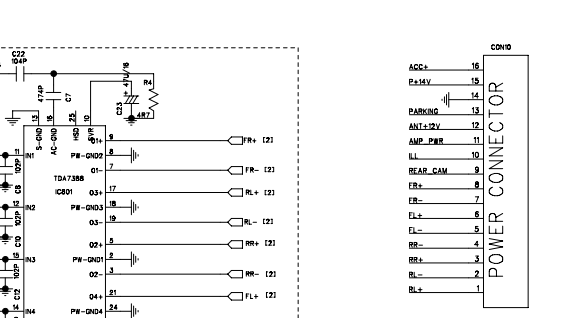
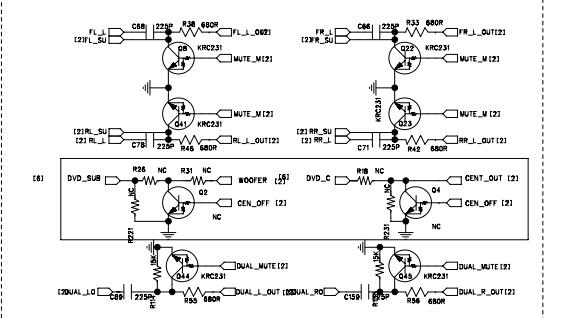
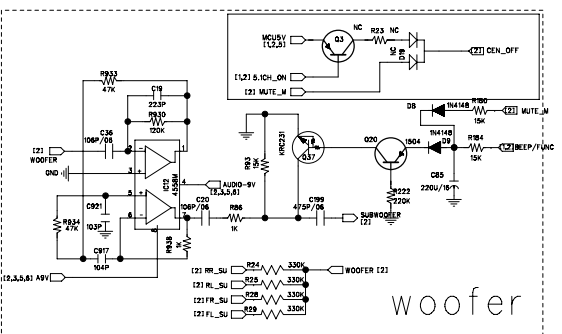
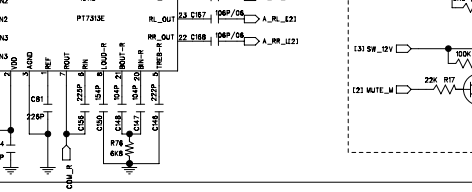
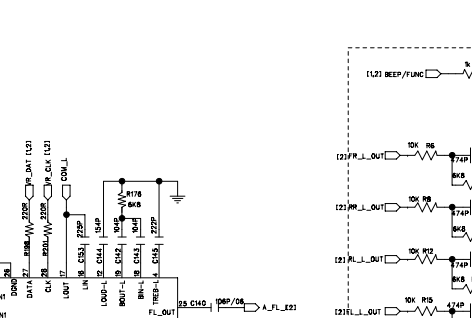
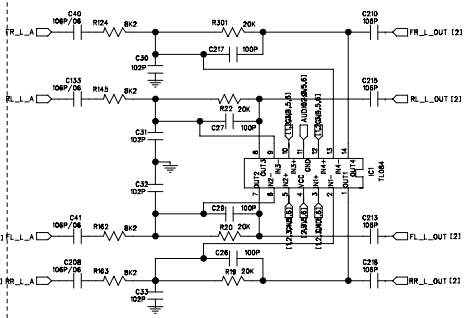
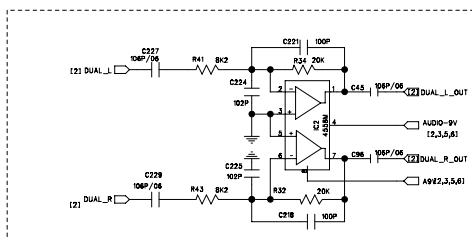
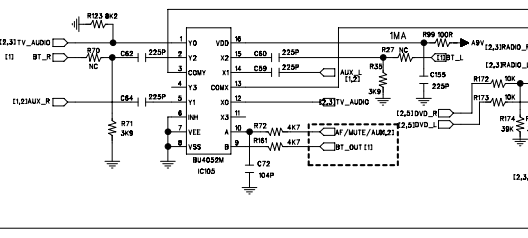
PS			
MODEL	KSD6250		
CAD NO.	KSD6250 MB		
DESCRIPTION	MCU&CONNECT	VER	VER1.0
DRAWN BY	jusheng	DATE	2012.05.28
CHECK BY		DATE	
APPROVED BY		DATE	



MODE	DVD	AUX	TV
2PIN(AF/MUTE/AUX)	L	H	L
MCU_25PIN(TV_ON)	L	L	H
NUM3366	VIN1	VIN2	VIN3

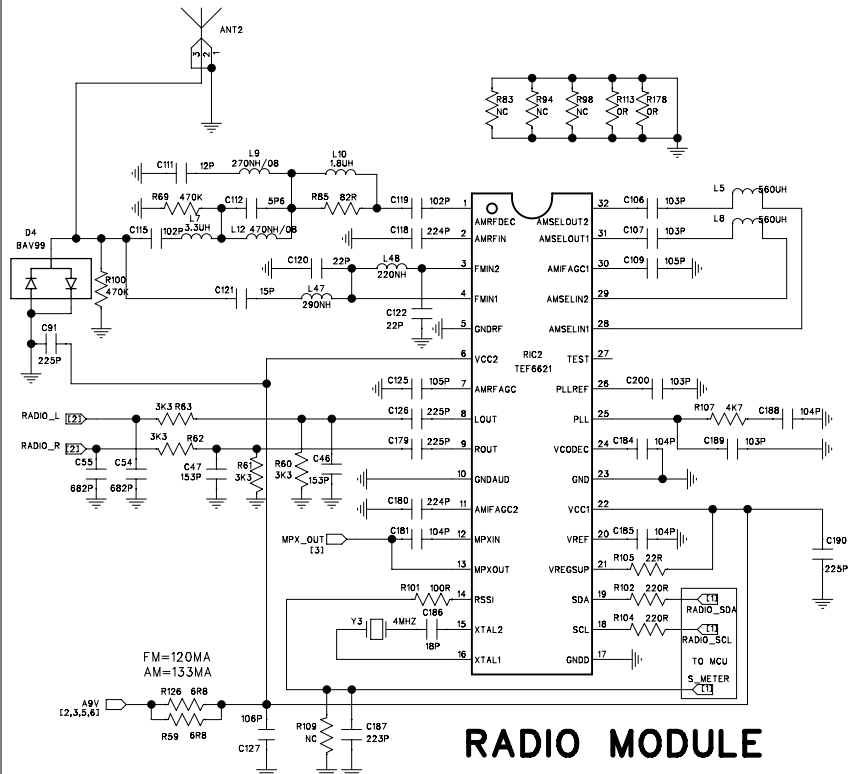


MODE	TV	AUX	SPS_3F	IP0D
MCU_2PIN(AF/MUTE/AUX)	L	L	L	H
MCU_55PIN(BT_OUT)	L	L	H	H
BU4052	NO/Y1/Y1	X2/Y2/X3/Y3		

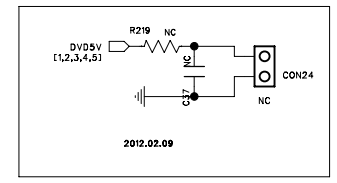
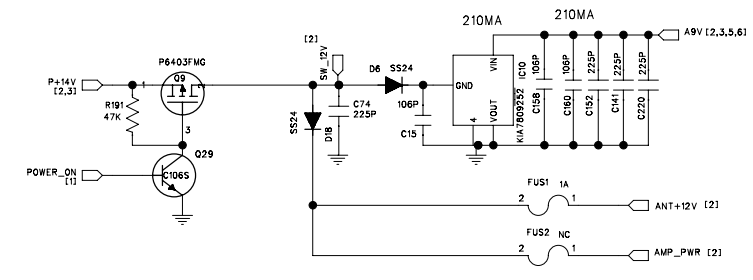


ACC+	16		
P+14V	14		
PARKING	13		
ANT+12V	12		
AMP_PWR	11		
LL	10		
REAR_CAM	9		
ERS	8		
RE	7		
FL+	6		
FL-	5		
RR-	4		
RR+	3		
RL-	2		
RL+	1		

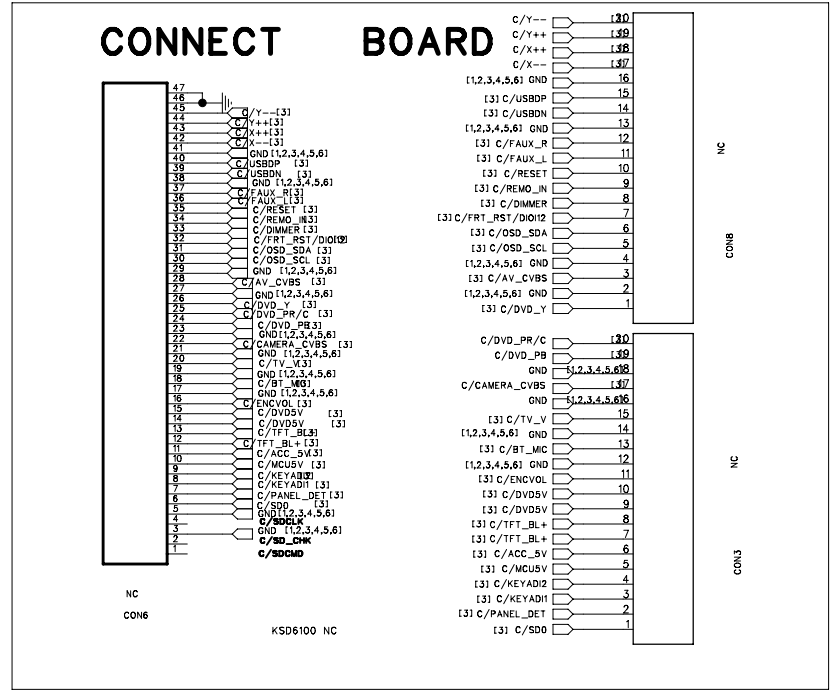
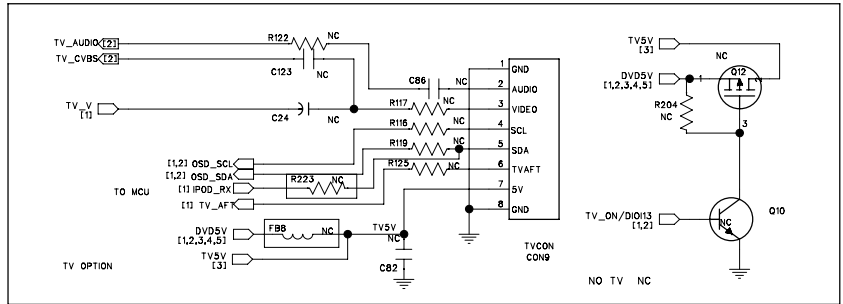
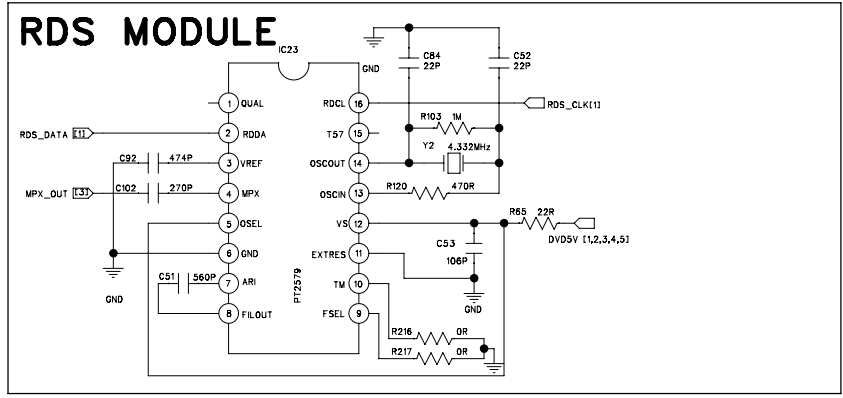
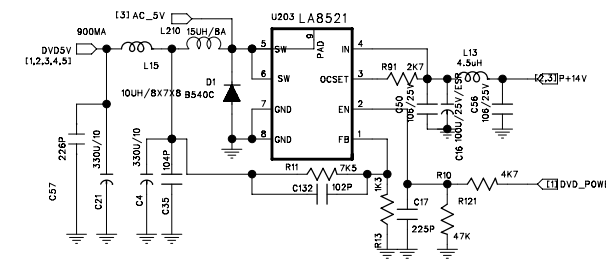
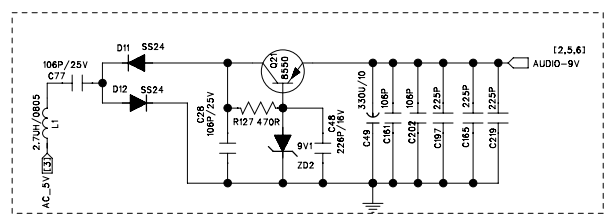
PS:			
MODEL	KSD6250		
CAD NO.	KSD6250_MB		
DESCRIPTION	AUDIO&DUAL	VER	VER1.0
DRAWN BY	jusheng	DATE	2012.05.28
CHECK BY		DATE	
APPROVED BY		DATE	



RADIO MODULE



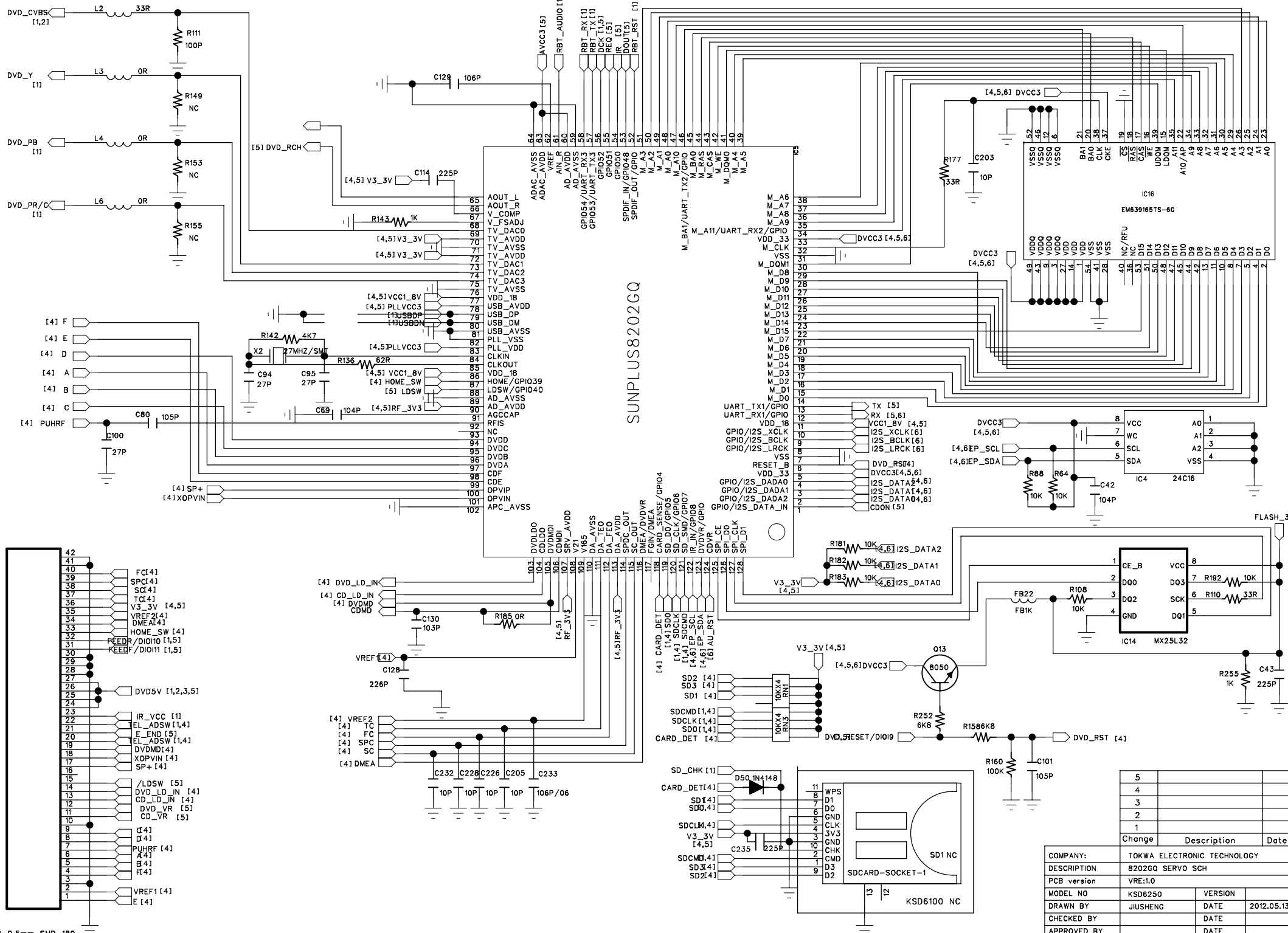
2012.02.09



C/Y--	130
C/Y++	132
C/X++	138
C/X--	137
[1,2,3,4,5,6] GND	16
[3] C/USBDP	15
[3] C/USBRN	14
[1,2,3,4,5,6] GND	13
[3] C/FAUX_R	12
[3] C/FAUX_L	11
[3] C/RESET	10
[3] C/REMO_IN	9
[3] C/DIMMER	8
[3] C/FRT_RST/DIO12	7
[3] C/OSD_SDA	6
[3] C/OSD_SCL	5
[1,2,3,4,5,6] GND	4
[3] C/AV_CVBS	3
[1,2,3,4,5,6] GND	2
[3] C/DVD_Y	1
C/DVD_PR/C	130
C/DVD_PB	139
GND	12,3,4,5,6,8
C/CAMERA_CVBS	137
GND	1,2,3,4,5,6,8
[3] C/TV_V	15
[1,2,3,4,5,6] GND	14
[3] C/BT_MC	13
[1,2,3,4,5,6] GND	12
[3] C/ENCVOL	11
[3] C/DVBSV	10
[3] C/DVBSV	9
[3] C/TFT_BL+	8
[3] C/TFT_BL-	7
[3] C/ACC_5V	6
[3] C/MCUSV	5
[3] C/KEYAD1	4
[3] C/KEYAD2	3
[3] C/PANEL_DET	2
[3] C/SDO	1

1.2		
1.1		
VER	REVISIONS	DATE

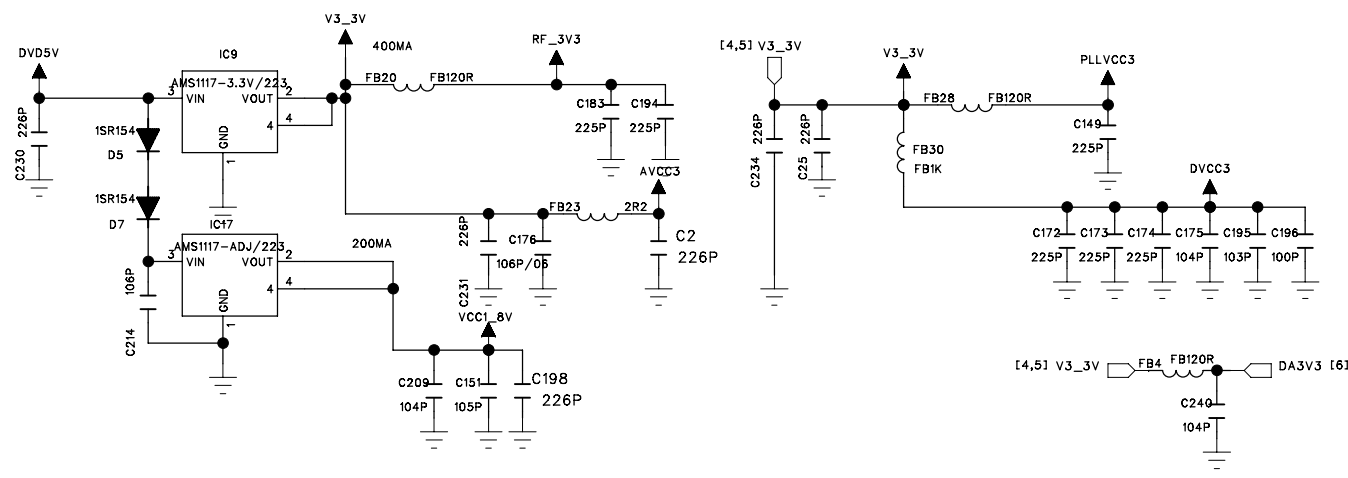
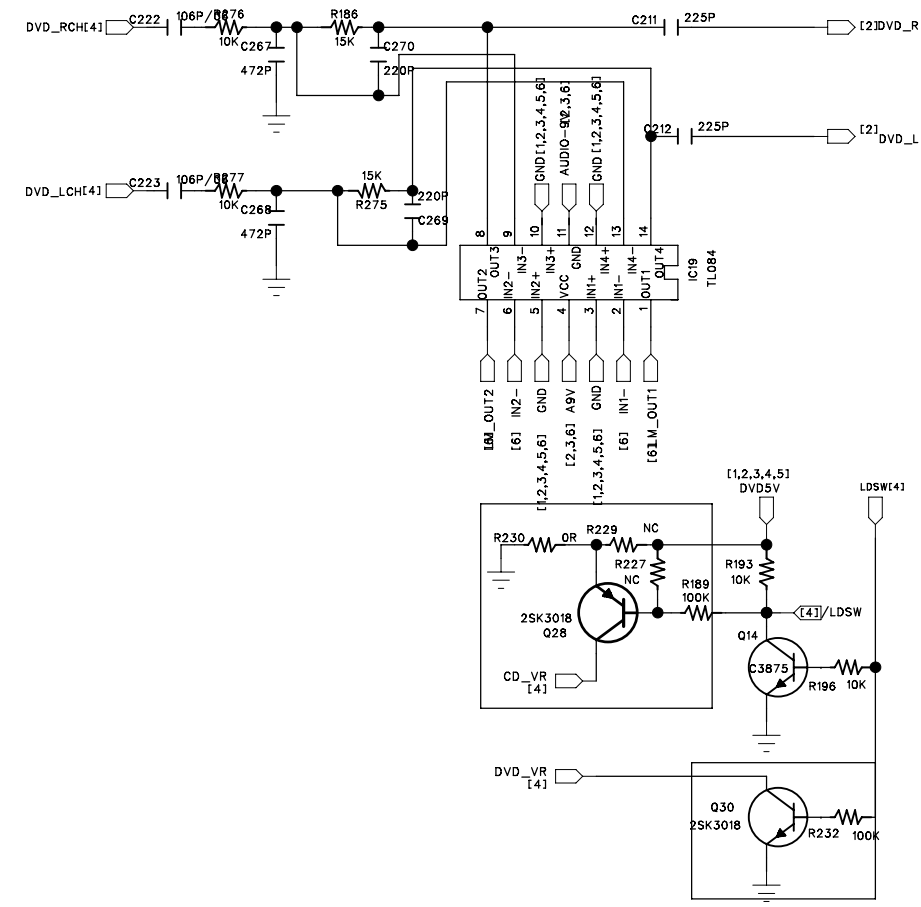
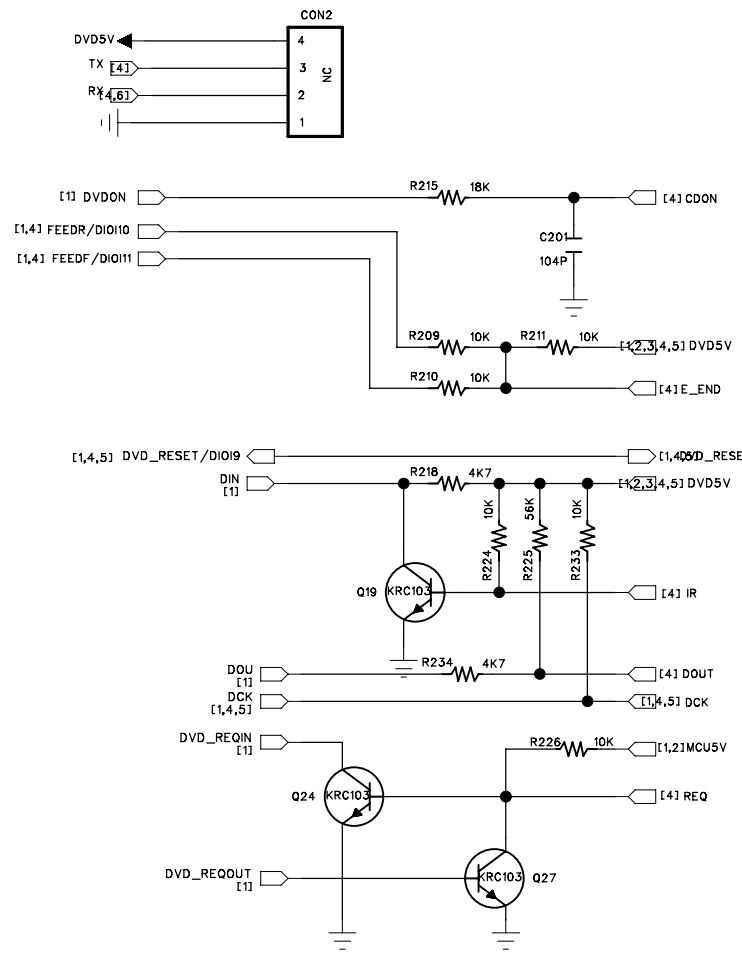
PS:	
MODEL	KSD6250
CAD NO.	KSD6250 MB
DESCRIPTION	TUNE&TV
DRAWN BY	jusheng
CHECK BY	DATE
APPROVED BY	DATE



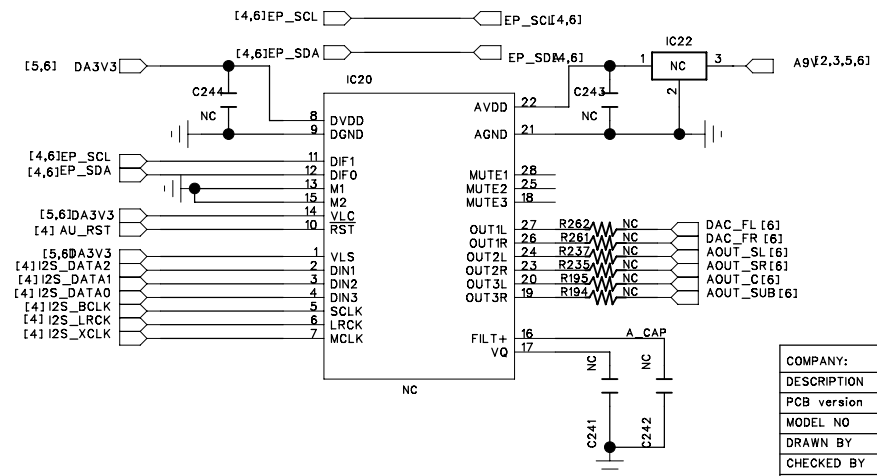
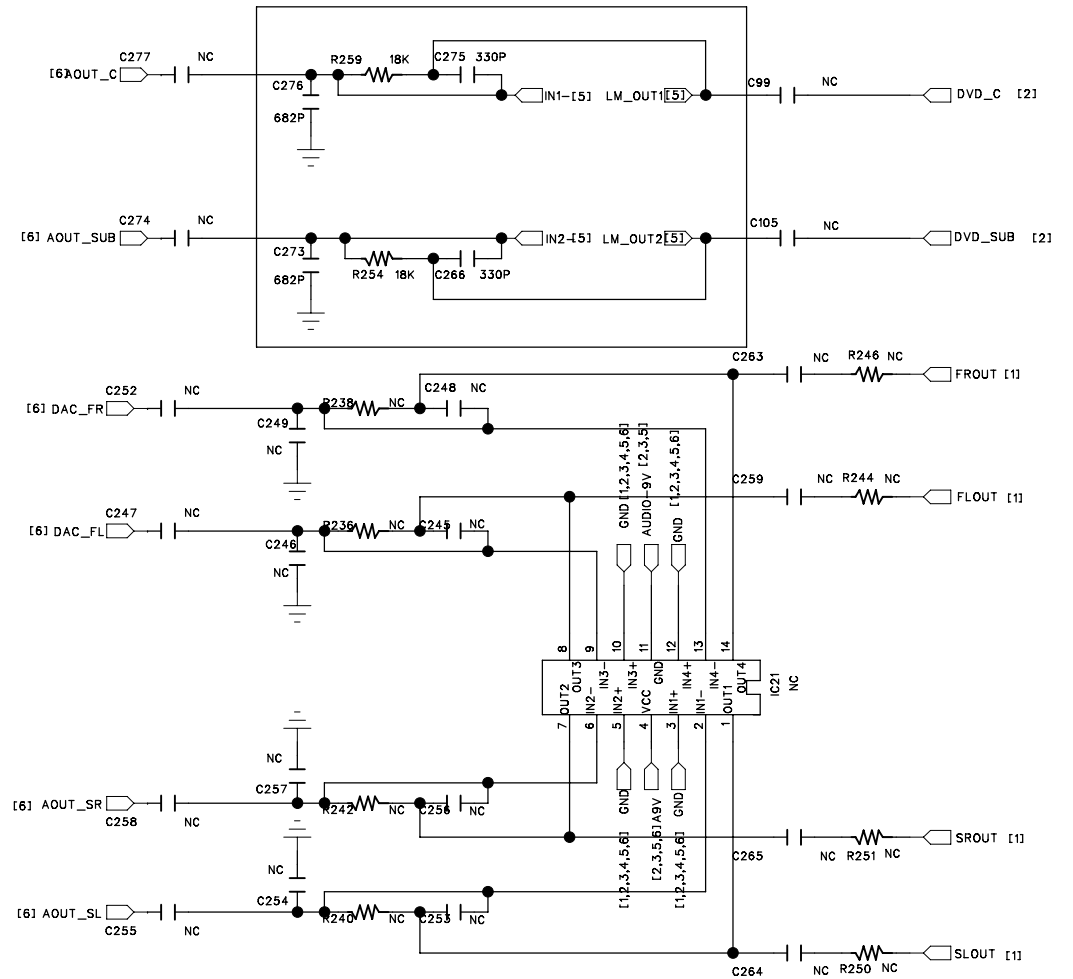
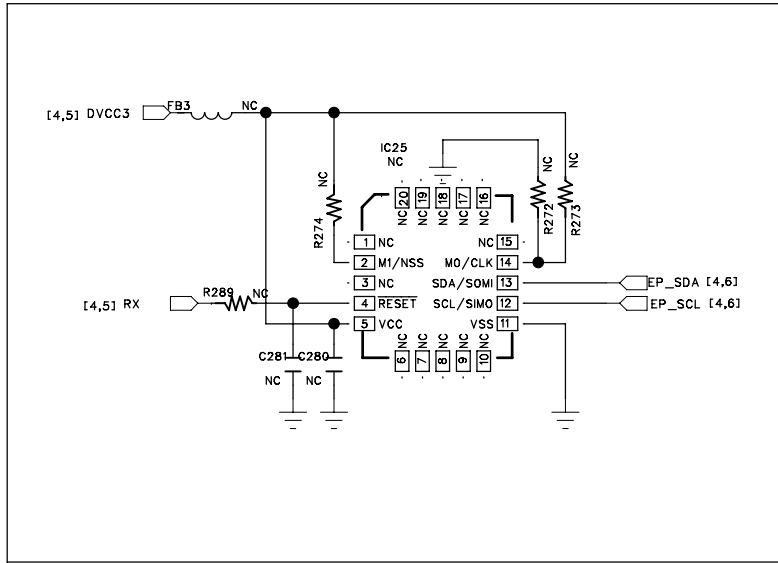
SUNPLUS8202GQ

Change	Description	Date
5		
4		
3		
2		
1		

COMPANY:	TOKWA ELECTRONIC TECHNOLOGY		
DESCRIPTION	8202GQ SERVO SCH		
PCB version	VRE:1.0		
MODEL NO	KSD6250	VERSION	
DRAWN BY	JUISHENG	DATE	2012.05.13
CHECKED BY		DATE	
APPROVED BY		DATE	

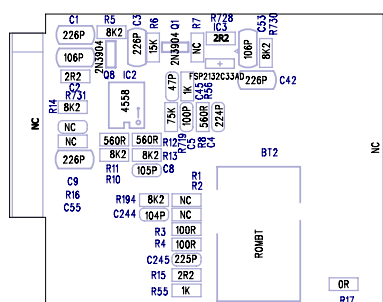


5			
4			
3			
2			
1			
Change	Description	Date	
COMPANY: TOKWA ELECTRONIC TECHNOLOGY			
DESCRIPTION: 8202GQ SERVO SCH			
PCB version: VRE:1.0			
MODEL NO	KSD6250	VERSION	
DRAWN BY	JIUSHENG	DATE	2012.05.13
CHECKED BY		DATE	
APPROVED BY		DATE	



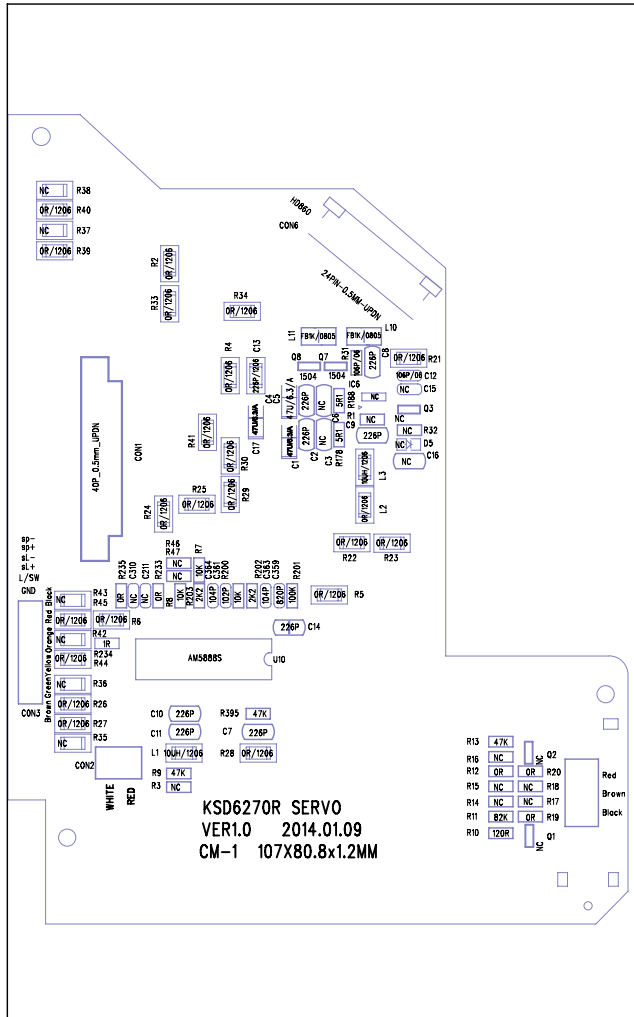
Change	Description	Date
5		
4		
3		
2		
1		

COMPANY:	TOKWA ELECTRONIC TECHNOLOGY		
DESCRIPTION	8202GQ SERVO SCH		
PCB version	VRE:1.0		
MODEL NO	KSD6250	VERSION	
DRAWN BY	JIUHSHENG	DATE	2012.05.13
CHECKED BY		DATE	
APPROVED BY		DATE	



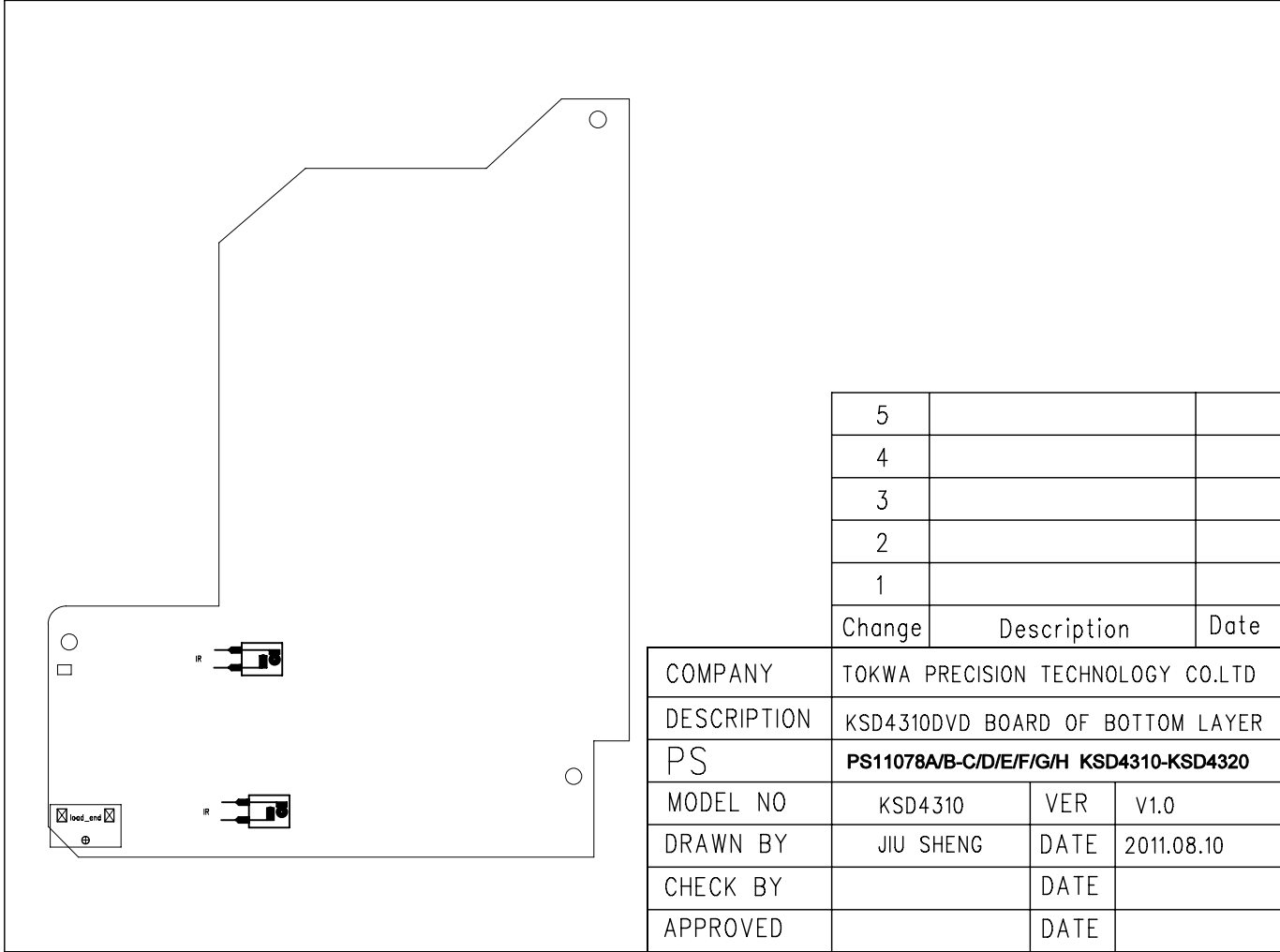
5		
4		
3		
2		
1		
Change	Description	Date

COMPANY	TOKWA PRECISION TECHNOLOGY CO.LTD		
DESCRIPTION	KSD6250BT BOARD OF TOP LAYER		
PS	PS13025,PS13026 /KSD6250 BT		
MODEL NO	KSD6250	VER	VER1.0
DRAWN BY	JIU SHENG	DATE	2013.03.18
CHECK BY		DATE	
APPROVED		DATE	



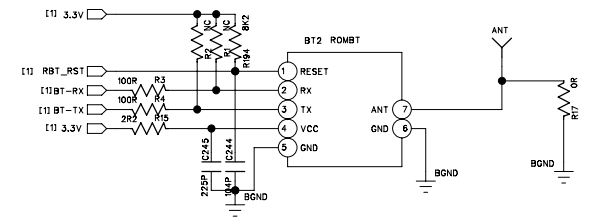
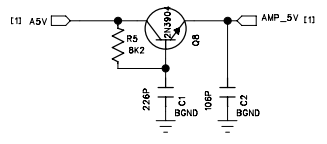
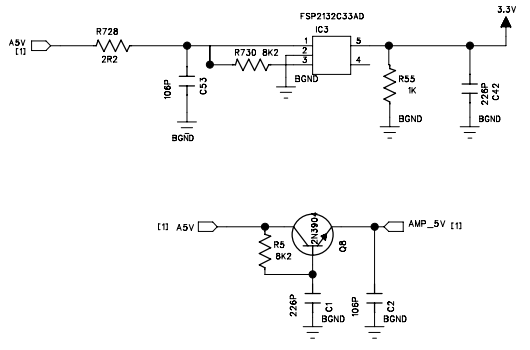
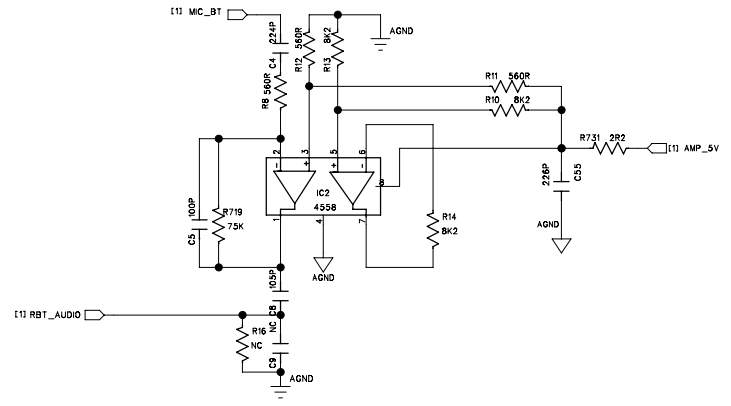
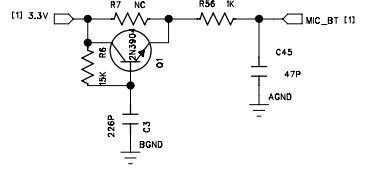
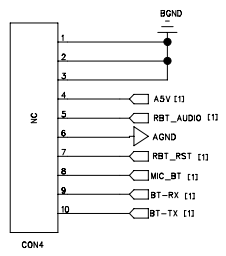
5		
4		
3		
2		
1		
Change	Description	Date

COMPANY	TOKWA PRECISION TECHNOLOGY CO.LTD		
DESCRIPTION	KSD4310DVD BOARD OF TOP LAYER		
PS	PS11078A/B-C/D/E/F/G/H KSD4310-KSD4320		
MODEL NO	KSD4310	VER	V1.0
DRAWN BY	JIU SHENG	DATE	2011.08.10
CHECK BY		DATE	
APPROVED		DATE	



5		
4		
3		
2		
1		
Change	Description	Date

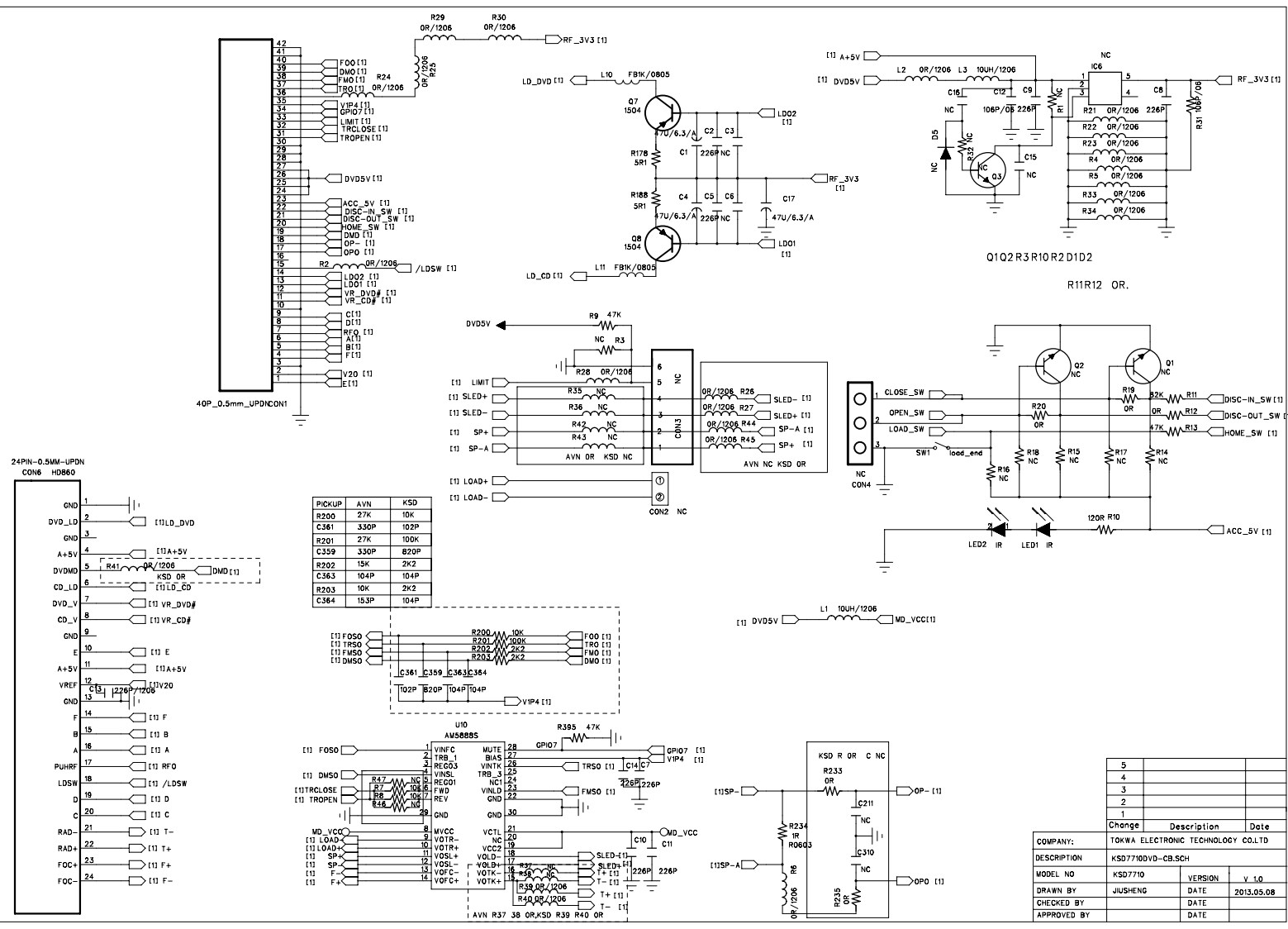
COMPANY	TOKWA PRECISION TECHNOLOGY CO.LTD		
DESCRIPTION	KSD4310DVD BOARD OF BOTTOM LAYER		
PS	PS11078A/B-C/D/E/F/G/H KSD4310-KSD4320		
MODEL NO	KSD4310	VER	V1.0
DRAWN BY	JIU SHENG	DATE	2011.08.10
CHECK BY		DATE	
APPROVED		DATE	

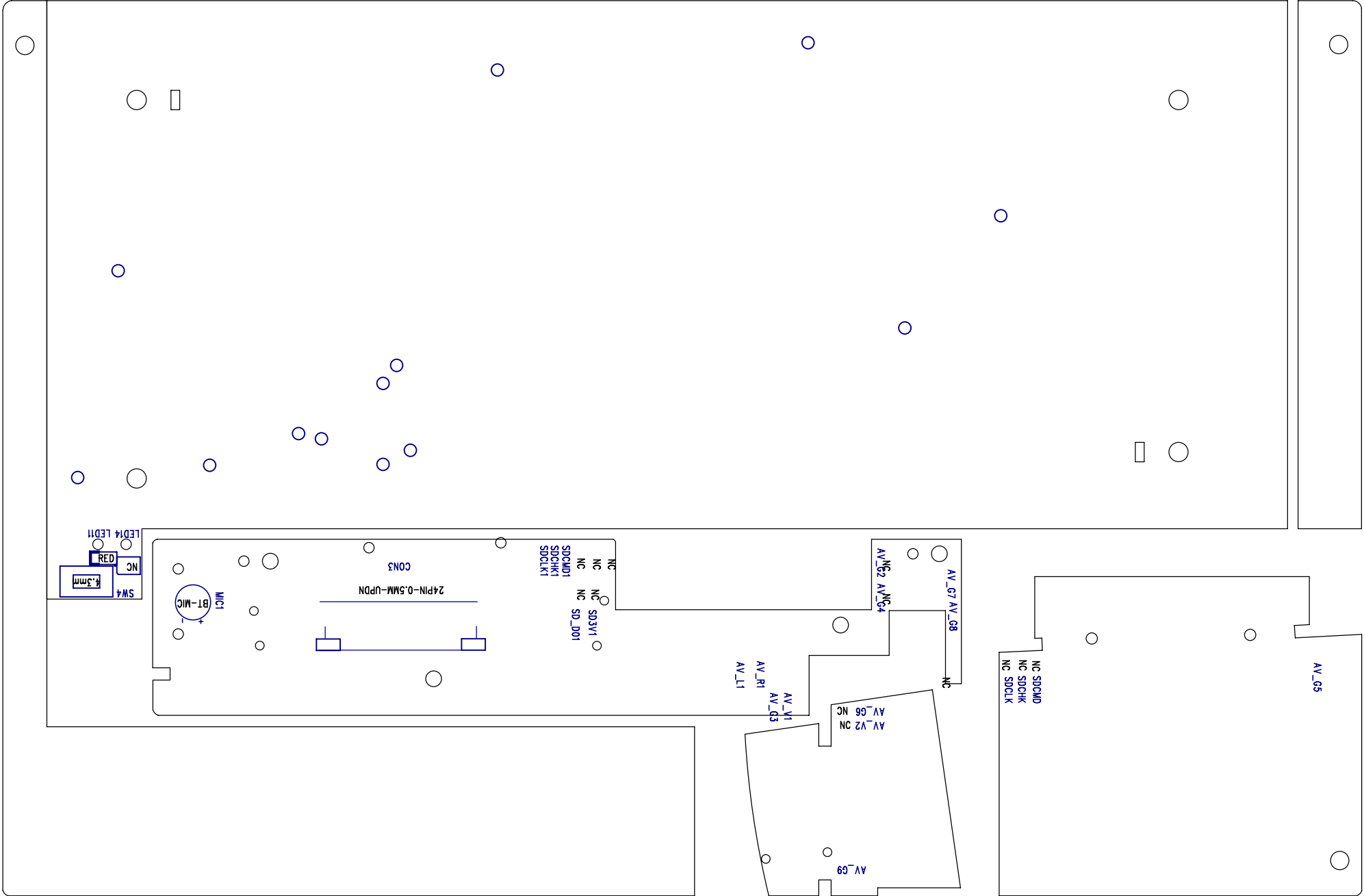


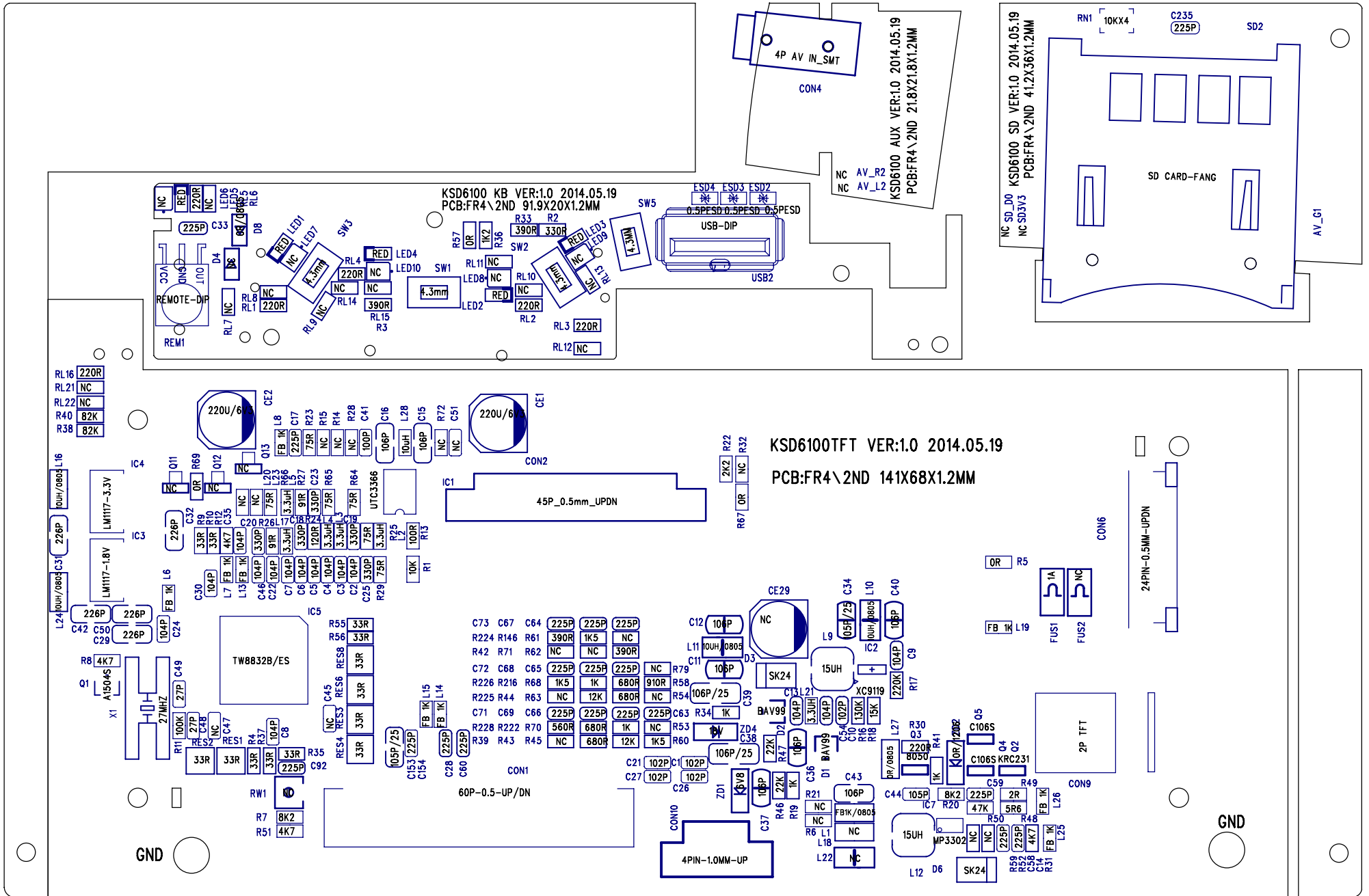
5		
4		
3		
2		
1		

Change	Description	Date
1		

COMPANY:		TOKWA ELECTRONIC TECHNOLOGY CO.,LTD	
DESCRIPTION	KSD6200BT/SD-SCH	MODEL NO	KSD6250
DRAWN BY	JIUHENG	VERSION	V_1.0
CHECKED BY		DATE	2012.05.19
APPROVED BY		DATE	







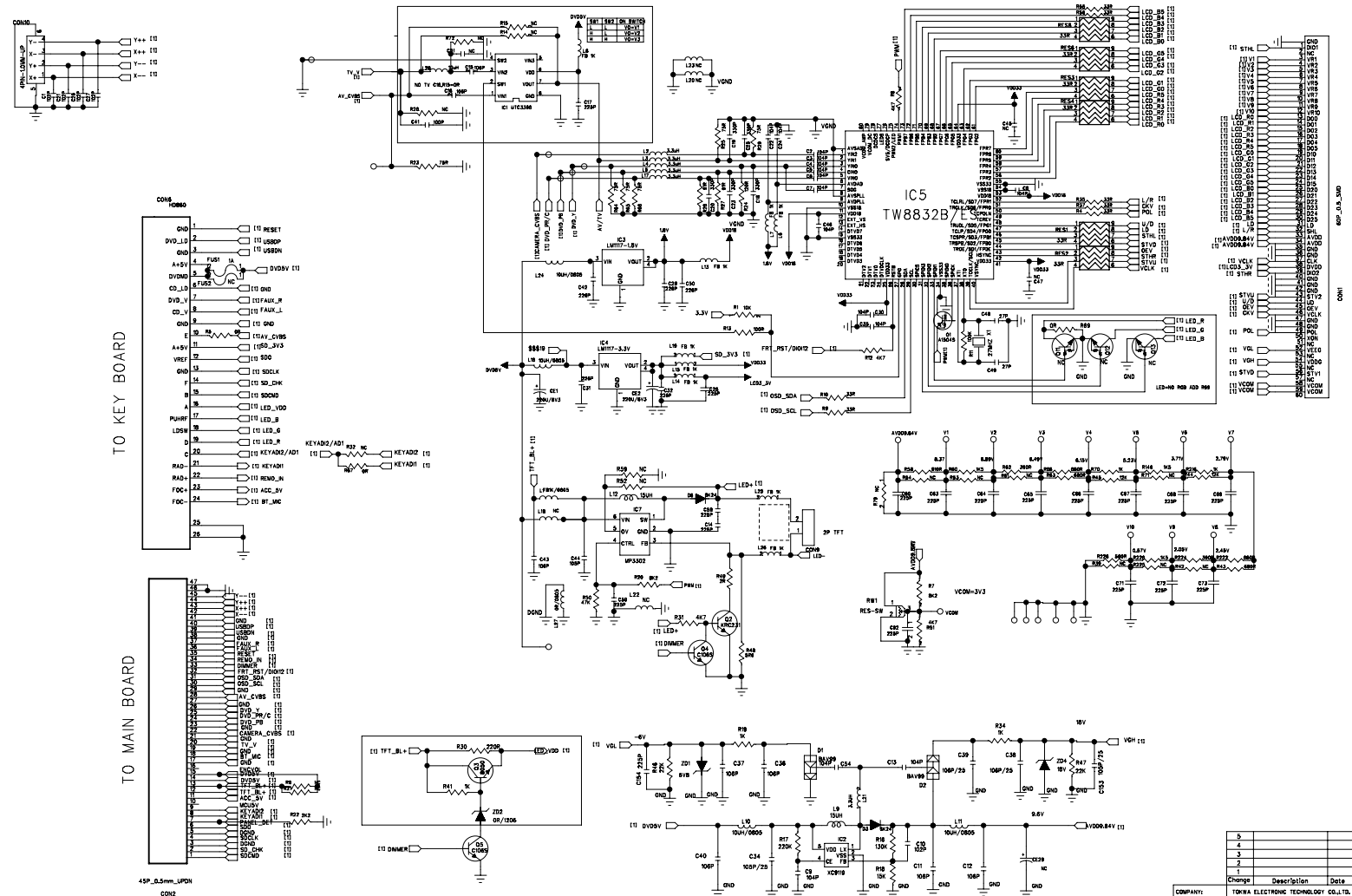
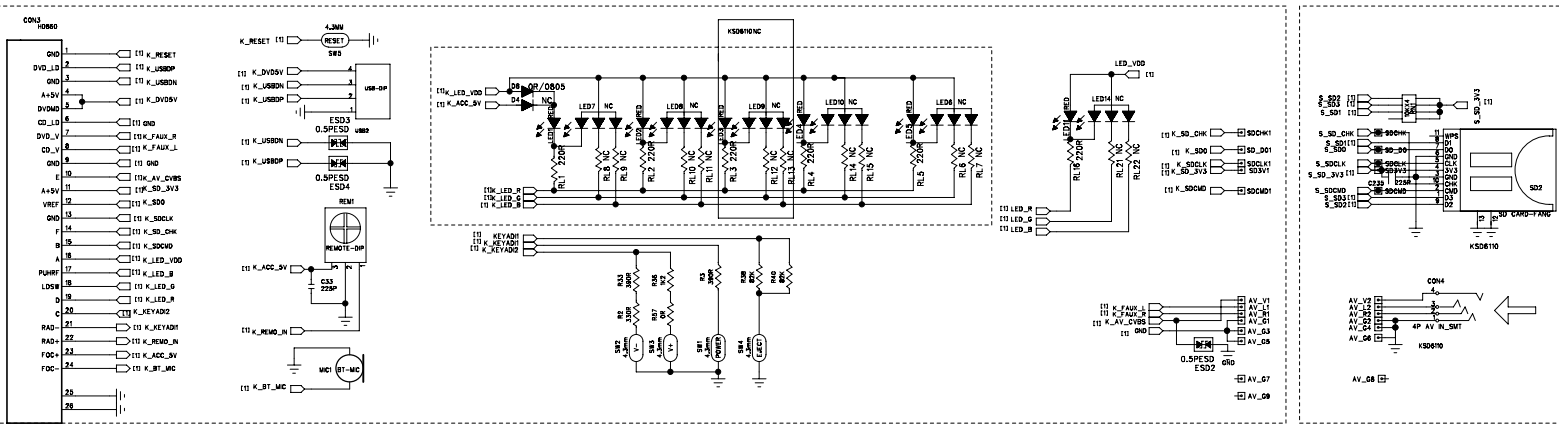
KSD6100 KB VER:1.0 2014.05.19
PCB:FR4\2ND 91.9X20X1.2MM

KSD6100 AUX VER:1.0 2014.05.19
PCB:FR4\2ND 21.8X21.8X1.2MM

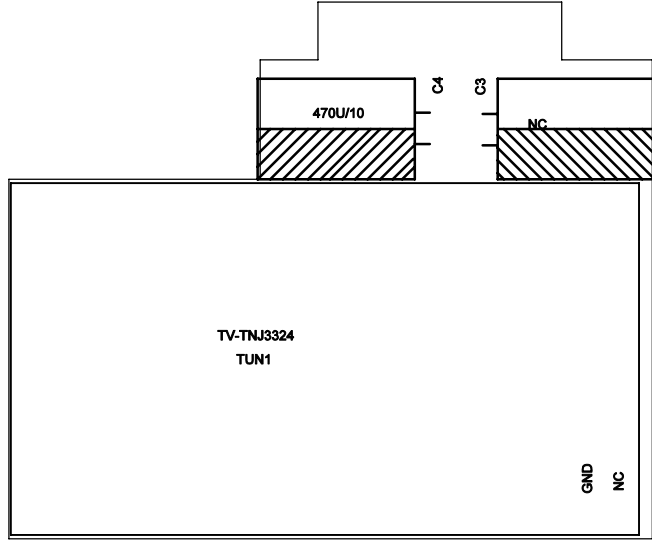
KSD6100 SD VER:1.0 2014.05.19
PCB:FR4\2ND 41.2X36X1.2MM

KSD6100TFT VER:1.0 2014.05.19
PCB:FR4\2ND 141X68X1.2MM

GND

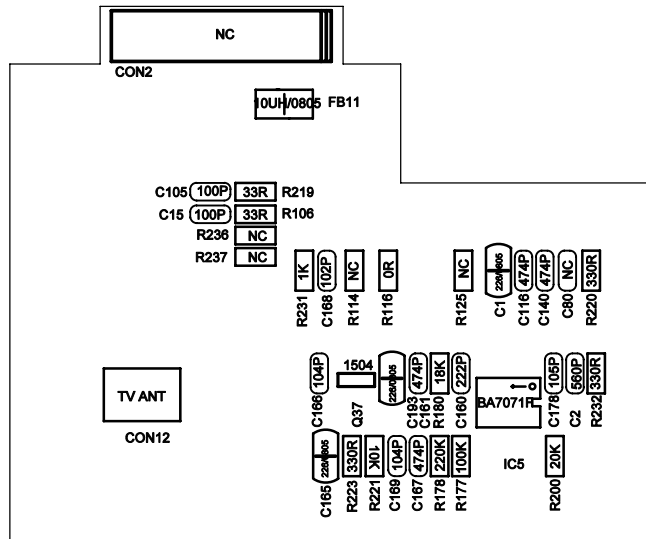


5		
4		
3		
2		
1		
	Change	Description Date
	COMPANY:	TOWRA ELECTRONIC TECHNOLOGY CO.,LTD.
	DESCRIPTION:	TFT PCB schematic diagram
	DRAWING NO:	
	DESIGNER:	zhu sheng
	CHECKED BY:	
	APPROVED BY:	
	VERSION:	K50810
	DATE:	2013.12.31
	DATE:	



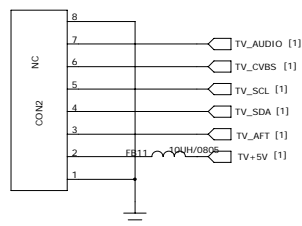
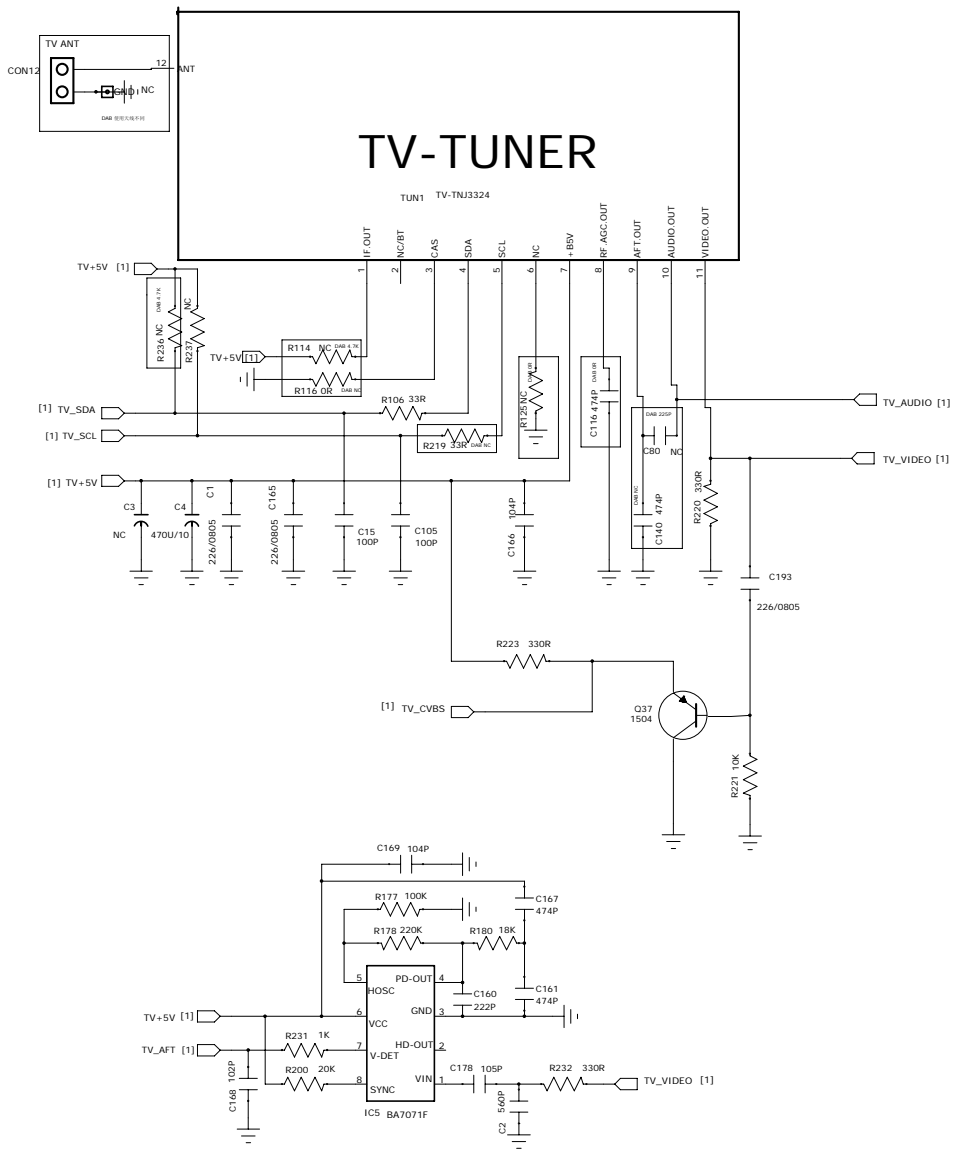
5		
4		
3		
2		
1		
Change	Description	Date

COMPANY	TOKWA PRECISION TECHNOLOGY CO.LTD		
DESCRIPTION	KSD6250 TV BOARD OF BOTTOM		
PS	PS13026 /KSD6250TV BOARD		
MODEL NO	KSD6200	VER	V1.0
DRAWN BY	JIU SHENG	DATE	2013.03.18
CHECK BY		DATE	
APPROVED		DATE	



5		
4		
3		
2		
1		
Change	Description	Date

COMPANY	TOKWA PRECISION TECHNOLOGY CO.LTD		
DESCRIPTION	KSD6250 TV BOARD OF TOP		
PS	PS13026 /KSD6250TV BOARD		
MODEL NO	KSD6200	VER	V1.0
DRAWN BY	JIU SHENG	DATE	2013.03.18
CHECK BY		DATE	
APPROVED		DATE	



PS14076 KSD6100 BOM表

级别	子件编码	子件名称	规格	使用数量	位置号
+	19-36100076-00-00	REMOTE UNIT/遥控器	RC03 Nakamichi 全功能遥控器 40 key	1.0	包装
+	80-36100276-00-01	LABEL/贴纸	防拆贴纸 30x15mm 易碎贴 Nakamichi 专用	1.0	机身
+	80-11180432-TE-00	LABEL/贴纸	批号贴纸 45*15MM 白色不干胶 无线框 生产打印	0.5	卡通箱
+	80-33560455-BS-02	LABEL/贴纸	CLASS I LABEL 34*15MM 黄底黑字 BOOSTER专用	1.0	机身
+	80-40150901-00-00	LABEL/贴纸	流水号码贴纸 40*15MM 白色不干胶 无线框 生产打印	3.0	主机/彩盒/卡通
+	80-36100176-00-00	LABEL/贴纸	主机贴纸 90*90mm 肖银龙 印黑色 NAKAMICHI NA2800	1.0	机身
+	80-36100576-00-00	LABEL/贴纸	机芯保护贴纸 尺寸115x15mm 黄底黑字 不干胶 Nakamichi 专用	1.0	机身
+	80-37800574-00-00	LABEL/贴纸	直径12mm 肖银龙 丝印黑色 QC PASS	1.0	包装
+	80-36100576-00-01	LABEL/贴纸	MADE IN CHINA 贴纸30*10MM白色不干胶无线框生产打印	1.0	彩盒
+	81-36100276-00-00	INSERT/插页	说明书插页, A5大小, 128G铜版纸, 单面印刷	1.0	包装
+	82-36100076-00-00	MANUAL/说明书	A5尺寸 单黑色印刷 NAKAMICHI NA2800 NA2820	1.0	包装
+	83-11010403-00-00	POLYBAG/PE袋	配件PE袋 105*160 装ISO线用	1.0	包装
+	83-33520401-PA-00	POLYBAG/PE袋	说明书PE袋 0.4*18*27.5 装说明书 不带背胶	1.0	包装
+	83-37400402-00-00	POLYBAG/PE袋	主机PE袋 350*450	1.0	包装
+	85-36100076-00-01	WHITE BOX/白盒	L170*W110*H30MM 350g 灰卡	1.0	包装
+	84-46750405-00-00	珍珠棉	234*168*235 AVN6750白色珍珠棉1套 2个	1.0	包装
+	85-36100076-00-00	GIFT BOX/彩盒	L240*W240*H175MM A9坑纸+300g灰卡 四色印刷 过哑胶 Nakamichi NA2800	1.0	包装
+	86-36100076-00-00	CARTON BOX/卡通箱	一卡四 L500*W255*H370MM K=A加强坑 胶装 Nakamichi NA2800	0.3	包装
+	87-11010100-00-00	DESICCANT/干燥剂	5克	1.0	包装
+	98-04626001-08-00	RIM/外框	喷哑黑油	1.0	包装
+	S-AS11010A9-002	装车配件	通用(双头螺丝配M5功牙散热片主机)14PCS物料	1.0	配件
++	55-10520511-00-00	WASHER/垫片	OD?10*ID?5.2*T0.5 平垫	1.0	附件
++	55-80522221-00-00	WASHER/垫片	OD?8*ID?5.2*T2.2 弹垫	1.0	附件
++	60-11010200-00-00	KEY/取机匙	电解片SECC 1.0MM 134*30*T1.5	2.0	附件1
++	63-11010020-00-00	金属片	电解片SECC 1.0MM 150*15*1 后支撑片	1.0	附件1
++	70-50060000-00-00	SCREW/螺丝	PM5.0*6 NI	4.0	随机附送4
++	70-50200011-00-00	SCREW/螺丝	PA5.0*20 NI	1.0	随机附送1
++	70-50276102-00-00	SCREW/螺丝	双头螺丝M5.0*(15+3+9) NI	1.0	
++	71-15032000-00-00	NUT/螺母	M5 NI	1.0	附件1
++	83-11010404-00-00	POLYBAG/PE袋	配件PE袋 175*115	1.0	附件
++	98-01101004-00-00	尾柱胶粒	?17.0*22 NBR 黑色	1.0	附件1
+	S-PC36100A2-000	塑胶组件	NA2800	1.0	组装
++	91-03610000-08-01	FRONT CABINET/面壳	6100固定面板 喷哑黑油 烫金枪色 丝印冷灰5C NA2800	1.0	组装
++	95-03610001-08-01	BUTTON 1/按钮-1	小双功能钮 喷哑黑油 镭雕+ -符号	1.0	组装
++	95-03610002-08-01	BUTTON 2/按钮-2	单功能钮 喷哑黑油 镭雕电源、静音符号	1.0	组装

级别	子件编码	子件名称	规格	使用数量	位置号
++	95-03611003-08-01	BUTTON 3/按钮-3	PC乳白 出碟钮，喷哑黑油，镭雕出碟符号	1.0	组装
++	95-03610003-08-01	BUTTON 3/按钮-3	复位钮 喷哑黑油	1.0	组装
++	94-23611000-00-00	碟口灯镜	6.3*4.8*2.8 ABS 左碟口灯镜	1.0	组装
++	94-23611010-00-00	碟口灯镜	6.3*4.8*2.6 ABS 右碟口灯镜	1.0	组装
++	98-03610002-08-01	PLASTIC BLOCK/塑胶块	ABS+TPU包胶 USB盖 喷哑黑油 丝印 USB/SD/AV IN 冷灰5C	1.0	组装
++	98-03610001-00-00	BRACKET PLASTIC/塑胶支架	8.4*7.7*7.8 PC乳白 IR支架	1.0	组装
++	94-14700000-00-00	LENS/镜片	10.4*6.6*2.5 PMMA 透明灰 遥控窗	1.0	组装
++	97-43610000-13-00	DECORATIVE PIECES/装饰件	装饰件 电镀枪色	1.0	组装
+	S-MC36260A1-004	KSD6260 主机结构虚拟件	散热片无TV/GPS天线孔 适用于KSD6100机型	1.0	主机组装
++	51-36260101-00-00	FELT/防尘布	30*30MM 左侧板上用防尘布	1.0	左侧板上用防尘布
++	51-36260102-00-00	FELT/防尘布	80*32MM 右侧板用防尘布	1.0	右侧板
++	51-46950104-00-00	FELT/防尘布	175*32 顶盖防尘布	1.0	顶盖
++	51-46950105-00-00	FELT/防尘布	45*41MM 底壳左侧防尘布	1.0	左侧板下方用
++	51-46950102-00-00	FELT/防尘布	43*38MM 底壳右侧防尘布	1.0	散热片风扇口
++	60-46250000-04-00	HEATSINK/散热片	铸铝_178*98*24MM 无天线孔_带丝印 POWER CONNECTOR 不喷油	1.0	组装
++	61-46260000-00-01	五金顶盖	电解片SECC 178*147.5*12MM 厚0.8MM 增加LOGO 素材不用喷油	1.0	组装
++	61-46260103-00-00	五金底壳	电解片SECC_178*140*8MM_厚1.0mm 加缺口 加大升级口	1.0	组装
++	61-46260510-00-00	五金左侧板	电解片SECC 139*98*8MM 厚1.0MM 主机左侧板 由6260侧板更改	1.0	组装
++	61-46260610-00-00	五金右侧板	电解片SECC 139*98*8MM 厚1.0MM 主机右侧板 由6260侧板更改	1.0	组装
++	62-37100101-00-00	五金支架	电解片SECC 1.0MM 32.23*23.3*6.5 功放IC支架	1.0	组装
++	70-26042000-00-00	SCREW/螺丝	BM2.6*4 NI	6.0	主板PCB*4 机芯
++	70-26043000-00-00	SCREW/螺丝	KM2.6*4 NI	2.0	左右侧板+底板*2
++	70-26051000-10-00	SCREW/螺丝	CM2.6*5BK	4.0	主机+面板4
++	70-26082000-00-00	SCREW/螺丝	BM2.6*8 NI	6.0	散热片+左右侧板
++	70-30100011-00-00	SCREW/螺丝	PA3.0*12 NI	4.0	RCA座+散热板*4
++	70-30162000-00-00	SCREW/螺丝	BM3.0*16 NI	2.0	功放支架+散热片
++	70-26051000-00-00	SCREW/螺丝	CM2.6*5 NI	2.0	散热片+顶板*2
+	S-MC36100A2-000	KSD6100 面板结构虚拟件	适用于KSD6100机型	1.0	面板组装
++	51-36110201-00-00	FELT/绒布	134.5*7.5*0.8 PC+防狼皮 碟口绒布	1.0	组装
++	53-36250101-00-00	DOUBLE SIDE TAPE/双面胶	85*4*1 双面背胶 TP-TFT双面胶	1.0	TP与TFT
++	56-36110401-00-01	PC SHEET/PC贴片	140*58.8*0.3 黑色PC片_6110-TFT板 绝缘PC 单面局部背胶3M-9448	1.0	TFT板与TFT支架
++	56-46100401-00-00	PC SHEET/PC贴片	14.5*2.4*0.2 黑色哑光PC贴片_单面背胶3M-9448 TF卡孔贴片	1.0	面壳TF卡孔
++	57-36100201-00-00	EVA CUSHION/EVA片	6*6*3 38度黑色EVA_单面背胶 3M9495 遮光EVA	1.0	多功能钮边缘遮光
++	57-49100401-00-00	RUBBER/橡胶片	10*5*1 橡胶片 单面背3M-9448	4.0	TF支架-屏*2; KE
++	62-36100020-00-00	五金支架	175*70*15.6MM T=0.8MM 电解板 SECC 支架	1.0	组装
++	70-20032001-10-00	SCREW/螺丝	BM2.0*3 BK	4.0	TFT支架与TFT板

级别	子件编码	子件名称	规格	使用数量	位置号
++	70-17082001-10-00	SCREW/螺丝	PB1.7*8 BK	4.0	KB板与面壳
++	70-17041000-10-00	SCREW/螺丝	CB1.7*4_BK	4.0	TFT支架与面壳
+	S-MC36110A3-000	KSD6110 机芯结构虚拟件	KSD6100/6110、AVN6100/6110通用	1.0	机芯组装
++	62-36100000-01-00	五金支架	172*31*12.5MM T=1.0MM 电解板 SECC 机芯前支架 改模抬高机芯	1.0	组装
++	62-36100010-00-00	五金支架	142*25.6*16.5MM T=1.0 电解板SECC 机芯后支架	1.0	组装
++	70-20052000-00-00	SCREW/螺丝	BM2.0*5 NI	3.0	伺服板+机芯
++	70-26042000-00-00	SCREW/螺丝	BM2.6*4 NI	8.0	机芯支架+机芯
+	43-36110220-00-00	ISO线	POWER WIRE CON_16PIN插头_半剥 220MM LW-004-001	1.0	电源线
+	44-36110270-00-01	输入输出组合线	带鱼叉RADIO_2.5MM 立体声母座MIC 线_3PIN SWC LW-003-003	1.0	ANT2
+	S-AS11020A9-003	外置麦克风组件	EX622Q-623 (带端子连接线3PIN)	1.0	配件
++	14-20462260-01-00	麦克风	MICPHONE_EX622Q-603_-40±3dB_Φ 6.0*2.7MM SCE	1.0	
++	35-05100001-00-00	带端子连接线	蓝牙_外置麦克风延长线 3PIN L=3.0M LT-QJ610	1.0	
++	57-11020202-00-00	EVA CUSHION/EVA片	19*15*1.0T EVA海棉垫 黑色 双面背 3M9080双面胶(半椭圆)	1.0	
++	70-17053011-00-00	SCREW/螺丝	KA1.7*5 NI	1.0	
++	98-01102004-00-00	PLASTIC CASE/塑胶壳	20.6*14*7.5 ABS777D 黑色 MIC上壳	1.0	
++	98-01102005-00-00	PLASTIC CASE/塑胶壳	22*18.8*4.3 ABS777D 黑色 MIC下壳	1.0	
+	S-MU36270A1-003	KSD6270R 主板PCBA半成品	亚洲频率+RDS+BT+外置MIC+红色灯光(配KSD6110机型)	1.0	主机组装
++	02-23389301-16-00	插件电解电容	CAP_ELEC_3300uF_25V_± 20% 40+105℃ 13*25MM	1.0	C1
++	08-10154080-00-01	二极管	DIODE_DIP_1N5408_DO-27_GW	1.0	D2
++	09-20773880-00-00	集成电路IC	IC TDA7388_FIEXIWATT25	1.0	IC801
++	45-20480418-13-01	特殊连接器	AV JACK_AV12-8.4-18B_红白黄蓝_12 通道 插头镀金	1.0	CON4
++	46-00716041-04-02	连接器	ISO SOCKET_16PIN黑色四方针针座 LW16P-2.5BC-23-010	1.0	CON10
++	46-10103080-01-00	连接器	BAR CONNECTOR 3PIN 2.0MM DIP 180	2.0	CON5 CON7
++	54-36270402-00-00	散热硅胶片	散热硅胶片 20*15*7.5 灰色散热硅胶	1.0	贴于8202GQ
++	54-36270401-00-00	散热硅胶片	15*7.5*6 灰色散热硅胶	2.0	贴于AMS1117 L
++	S-ST36270A1-003	KSD6270R 主板SMT半成品	亚洲频率+RDS+BT+红色灯光(配KSD6110机型)	1.0	PCBA
+++	08-30241480-09-00	二极管	DIODE_SMD_1N4148_SOD-323(0805) CJ	3.0	DI10(6.1寸屏) DI
+++	09-30167280-03-00	集成电路IC	IC_RD6728-S73A	1.0	IC24(配6.1寸机芯)
+++	S-ST36270A1-A00	KSD6270R 主板基本功能SMT虚拟件	公共部分	1.0	SMT
++++	02-12279101-06-00	插件电解电容	CAP_ELEC_220uF_10V_± 20% 40+105℃ 6*5MM	1.0	T20
++++	01-30000590-02-00	贴片电阻	RES_CHIP_0Ω_1/10W_±5%_0603	14.0	L3 L4 L6 R113 R
++++	01-30100500-03-00	贴片电阻	RES_CHIP_10Ω_1/8W_±5%_0805	1.0	R92
++++	01-30100590-02-00	贴片电阻	RES_CHIP_10Ω_1/10W_±5%_0603	1.0	R164
++++	01-30220590-02-00	贴片电阻	RES_CHIP_22Ω_1/10W_±5%_0603	1.0	R105
++++	01-30228590-02-00	贴片电阻	RES_CHIP_2.2Ω_1/10W_±5%_0603	1.0	FB23
++++	01-30330590-02-00	贴片电阻	RES_CHIP_33Ω_1/10W_±5%_0603	3.0	L2 R110 R177

级别	子件编码	子件名称	规格	使用数量	位置号
++++	01-30478590-02-00	贴片电阻	RES_CHIP_4.7Ω_1/10W_±5%_0603	1.0	R4
++++	01-30470590-02-00	贴片电阻	RES_CHIP_47Ω_1/10W_±5%_0603	1.0	R137
++++	01-30620590-02-00	贴片电阻	RES_CHIP_62Ω_1/10W_±5%_0603	1.0	R136
++++	01-30688590-02-00	贴片电阻	RES_CHIP_6.8Ω_1/10W_±5%_0603	2.0	R59 R126
++++	01-30820590-02-00	贴片电阻	RES_CHIP_82Ω_1/10W_±5%_0603	1.0	R85
++++	01-31000590-02-00	贴片电阻	RES_CHIP_100Ω_1/10W_±5%_0603	2.0	R99 R101
++++	01-31001590-02-00	贴片电阻	RES_CHIP_1KΩ_1/10W_±5%_0603	9.0	R16 R86 R143 F
++++	01-31002590-02-00	贴片电阻	RES_CHIP_10KΩ_1/10W_±5%_0603	31.0	
++++	01-31002590-07-00	贴片排阻	RES_CHIP_10KΩ*4_1/10W_±5%_贴片排阻	2.0	RN1 RN3
++++	01-31003590-02-00	贴片电阻	RES_CHIP_100KΩ_1/10W_±5%_0603	5.0	R2 R3 R160 R16
++++	01-31004590-02-00	贴片电阻	RES_CHIP_1MΩ_1/10W_±5%_0603	3.0	R49 R118 R152
++++	01-31203590-02-00	贴片电阻	RES_CHIP_120KΩ_1/10W_±5%_0603	1.0	R930
++++	01-31301190-02-00	贴片电阻	RES_CHIP_1.3KΩ_1/10W_±1%_0603	1.0	R13
++++	01-31501590-02-00	贴片电阻	RES_CHIP_1.5KΩ_1/10W_±5%_0603	1.0	R128
++++	01-31502590-02-00	贴片电阻	RES_CHIP_15KΩ_1/10W_±5%_0603	7.0	R93 R114 R135
++++	01-31802590-02-00	贴片电阻	RES_CHIP_18KΩ_1/10W_±5%_0603	3.0	R215 R254 R259
++++	01-32002590-02-00	贴片电阻	RES_CHIP_20KΩ_1/10W_±5%_0603	6.0	R19 R20 R22 R3
++++	01-32200590-02-00	贴片电阻	RES_CHIP_220Ω_1/10W_±5%_0603	7.0	R81 R82 R84 R1
++++	01-32201500-03-00	贴片电阻	RES_CHIP_2.2KΩ_1/8W_±5%_0805	1.0	R144
++++	01-32201590-02-00	贴片电阻	RES_CHIP_2.2KΩ_1/10W_±5%_0603	2.0	R57 R58
++++	01-32202590-02-00	贴片电阻	RES_CHIP_22KΩ_1/10W_±5%_0603	5.0	R17 R51 R90 R9
++++	01-32203590-02-00	贴片电阻	RES_CHIP_220KΩ_1/10W_±5%_0603	1.0	R222
++++	01-32701590-02-00	贴片电阻	RES_CHIP_2.7KΩ_1/10W_±5%_0603	1.0	R91
++++	01-33300590-02-00	贴片电阻	RES_CHIP_330Ω_1/10W_±5%_0603	2.0	R206 C196
++++	01-33301590-02-00	贴片电阻	RES_CHIP_3.3KΩ_1/10W_±5%_0603	6.0	R60 R61 R62 R6
++++	01-33303590-02-00	贴片电阻	RES_CHIP_330KΩ_1/10W_±5%_0603	6.0	R24 R25 R28 R2
++++	01-33901590-02-00	贴片电阻	RES_CHIP_3.9KΩ_1/10W_±5%_0603	2.0	R35 R71
++++	01-33902590-02-00	贴片电阻	RES_CHIP_39KΩ_1/10W_±5%_0603	4.0	R67 R79 R174 F
++++	01-34700590-02-00	贴片电阻	RES_CHIP_470Ω_1/10W_±5%_0603	5.0	R127 R168 R169
++++	01-34701590-02-00	贴片电阻	RES_CHIP_4.7KΩ_1/10W_±5%_0603	18.0	R10 R39 R44 R4
++++	01-34702590-02-00	贴片电阻	RES_CHIP_47KΩ_1/10W_±5%_0603	25.0	R21 R30 R37 R4
++++	01-34703590-02-00	贴片电阻	RES_CHIP_470KΩ_1/10W_±5%_0603	2.0	R69 R100
++++	01-35602590-02-00	贴片电阻	RES_CHIP_56KΩ_1/10W_±5%_0603	1.0	R225
++++	01-36800590-02-00	贴片电阻	RES_CHIP_680Ω_1/10W_±5%_0603	6.0	R33 R38 R42 R4
++++	01-36801590-02-00	贴片电阻	RES_CHIP_6.8KΩ_1/10W_±5%_0603	10.0	R5 R7 R9 R14 R
++++	01-37501190-02-00	贴片电阻	RES_CHIP_7.5KΩ_1/10W_±1%_0603	1.0	R11

级别	子件编码	子件名称	规格	使用数量	位置号
++++	01-38201590-02-00	贴片电阻	RES_CHIP_8.2KQ_1/10W_±5%_0603	7.0	R41 R43 R123 F
++++	03-21079300-09-00	贴片铝电解电容	CAP_SMD_100uF_25V_±20%_40+85℃_6.3*7.7MM_Lower ESR chang	1.0	C16
++++	03-22279200-08-00	贴片铝电解电容	CAP_SMD_220uF_16V_±20%_40+105℃_6.3*7MM	2.0	C85 C88
++++	03-23379100-09-00	贴片铝电解电容	CAP_SMD_330uF_10V_±20%_40+105℃_6.3*7.7MM	4.0	C4 C21 C49 C63
++++	03-24769200-06-01	贴片铝电解电容	CAP_SMD_47uF_16V_±20%_40+105℃_5*5MM_LelOn	1.0	C23
++++	04-11005500-02-00	贴片电容	CAP_CHIP_10P_NPO_50V_±5%_0603	5.0	C203 C205 C226
++++	04-11205500-02-00	贴片电容	CAP_CHIP_12P_NPO_50V_±5%_0603	1.0	C111
++++	04-11505500-02-00	贴片电容	CAP_CHIP_15P_NPO_50V_±5%_0603	1.0	C121
++++	04-11805500-02-00	贴片电容	CAP_CHIP_18P_NPO_50V_±5%_0603	1.0	C186
++++	04-12205500-02-00	贴片电容	CAP_CHIP_22P_NPO_50V_±5%_0603	2.0	C120 C122
++++	04-12705500-02-00	贴片电容	CAP_CHIP_27P_NPO_50V_±5%_0603	5.0	C39 C58 C94 C95
++++	04-15685500-02-00	贴片电容	CAP_CHIP_5.6P_NPO_50V_±5%_0603	1.0	C112
++++	04-31010300-02-00	贴片电容	CAP_CHIP_101P_X7R_25V_±10%_0603	7.0	C26 C27 C29 C32
++++	04-31020300-02-00	贴片电容	CAP_CHIP_102P_X7R_25V_±10%_0603	13.0	C8 C10 C12 C14
++++	04-31030300-02-00	贴片电容	CAP_CHIP_103P_X7R_25V_±10%_0603	7.0	C106 C107 C130
++++	04-31040300-02-00	贴片电容	CAP_CHIP_104P_X7R_25V_±10%_0603	27.0	
++++	04-31050200-02-00	贴片电容	CAP_CHIP_105P_X7R_16V_±10%_0603	7.0	C80 C90 C101 C102
++++	04-31060200-03-00	贴片电容	CAP_CHIP_106P_X5R_16V_±10%_0805	12.0	C15 C127 C129
++++	04-31060300-04-00	贴片电容	CAP_CHIP_106P_X7R_25V_±10%_1206	4.0	C28 C77 C50 C51
++++	04-31069000-02-00	贴片电容	CAP_CHIP_106P_X5R_6.3V_±20%_0603_SAMSUNG	21.0	C20 C36 C40 C41
++++	04-31530300-02-00	贴片电容	CAP_CHIP_153P_X7R_25V_±10%_0603	2.0	C46 C47
++++	04-31540300-02-00	贴片电容	CAP_CHIP_154P_X7R_25V_±10%_0603	4.0	C108 C144 C150
++++	04-32210300-02-00	贴片电容	CAP_CHIP_221P_X7R_25V_±10%_0603	2.0	C269 C270
++++	04-32220300-02-00	贴片电容	CAP_CHIP_222P_X7R_25V_±10%_0603	4.0	C110 C137 C145
++++	04-32230300-02-00	贴片电容	CAP_CHIP_223P_X7R_25V_±10%_0603	2.0	C19 C187
++++	04-32240300-02-00	贴片电容	CAP_CHIP_224P_X7R_25V_±10%_0603	4.0	C83 C118 C164
++++	04-32250200-02-01	贴片电容	CAP_CHIP_225P_X5R_16V_±10%_0603(SAMSUNG)	59.0	
++++	04-32260200-04-00	贴片电容	CAP_CHIP_226P_X5R_16V_±10%_1206	1.0	C48
++++	04-32269000-03-00	贴片电容	CAP_CHIP_226P_X5R_6.3V_±20%_0805(TDK)	11.0	C2 C25 C38 C57
++++	04-33310300-02-00	贴片电容	CAP_CHIP_331P_X7R_25V_±10%_0603	2.0	C266 C275
++++	04-34720300-02-00	贴片电容	CAP_CHIP_472P_X7R_25V_±10%_0603	2.0	C267 C268
++++	04-34740200-02-00	贴片电容	CAP_CHIP_474P_X7R_16V_±10%_0603	5.0	C7 C9 C11 C13
++++	04-34750200-02-00	贴片电容	CAP_CHIP_475P_X5R_16V_±10%_0603	1.0	C199
++++	04-36820300-02-00	贴片电容	CAP_CHIP_682P_X7R_25V_±10%_0603	5.0	C54 C55 C273 C
++++	05-22700401-02-00	晶体	CRYSTAL_SMT_27MHz(30PPM/20PF)_2PIN_HC49S	1.0	X2
++++	05-24000302-02-00	晶体	CRYSTAL_SMT_4MHz(30PPM/20PF)_2PIN_HC49US	1.0	Y3

级别	子件编码	子件名称	规格	使用数量	位置号
++++	05-27200302-02-00	晶体	CRYSTAL_SMT_7.2MHz(30PPM/20PF)) 2PIN HC49US	1.0	X1
++++	06-31029101-02-00	磁珠	BEAD_1K Ω _100MA_100MHz \pm 25% 0603	2.0	FB22 FB30
++++	06-31219301-02-00	磁珠	BEAD_120 Ω _300MA_100MHz \pm 25% 0603	3.0	FB4 FB20 FB28
++++	07-33100240-00-02	电感	INDUCTOR_SMD_10uH \pm 20% 7.0*7.8*8.0MM(功率电感)Ir=5A	1.0	L15
++++	07-33150240-00-00	电感	INDUCTOR_SMD_15uH \pm 20% 12.5*12.5*9MM IDC8A	1.0	L210
++++	07-33450140-12-00	电感	INDUCTOR_SMD_4.5uH \pm 20% 4.5*4.0*3MM	1.0	L13
++++	07-34100220-02-00	电感	INDUCTOR_CHIP_10uH \pm 10%_0603	1.0	L18
++++	07-34180120-02-00	电感	INDUCTOR_CHIP_1.8uH \pm 10%_0603	1.0	L10
++++	07-34270020-03-00	电感	INDUCTOR_CHIP_270NH \pm 10% 0805	1.0	L9
++++	07-34270120-03-00	电感	INDUCTOR_CHIP_2.7uH \pm 10%_0805	1.0	L1
++++	07-34330120-02-00	电感	INDUCTOR_CHIP_3.3uH \pm 10%_0603	1.0	L7
++++	07-34470020-03-00	电感	INDUCTOR_CHIP_470NH \pm 10% 0805	1.0	L12
++++	07-35220020-03-00	电感	INDUCTOR_CHIP_220NH \pm 10% 0805(贴片线绕电感)	1.0	L48
++++	07-35290020-03-00	电感	INDUCTOR_CHIP_290NH \pm 10% 0805(贴片线绕电感)	1.0	L47
++++	07-35560320-04-00	电感	INDUCTOR_CHIP_560uH \pm 10% 1206(贴片线绕电感)	2.0	L5 L8
++++	08-30200700-04-00	二极管	DIODE_SMD_BAV70_SOT23_ROHM	2.0	D3 D16
++++	08-30200990-04-00	二极管	DIODE_SMD_BAV99_SOT23_CJ	1.0	D4
++++	08-30211540-07-00	二极管	DIODE_SMD_1SR154_SOD- 106 ROHM	2.0	D5 D7
++++	08-30241480-09-00	二极管	DIODE_SMD_1N4148_SOD- 323(0805) CJ	14.0	D8 D9 D10 D50
++++	08-30400240-07-00	二极管	DIODE_SMD_SS24_DO-214AC_STAR SEA	4.0	D6 D11 D12 D18
++++	08-30400541-04-00	二极管	DIODE_SMD_BAT54C_SOT23	2.0	D13 D14
++++	08-30405400-07-00	二极管	DIODE_SMD_B540C_SMC_DIODES	1.0	D1
++++	08-30503091-07-00	静电抑制器	ESD DIODE_PPES 0603V09B_SMD_ 诺尔兴	6.0	ESD1 ESD2 ESD3
++++	09-30211170-00-00	集成电路IC	IC_AMS1117_ADJ_SOT-223	1.0	IC17
++++	09-30211170-04-00	集成电路IC	IC_AMS1117_3.3V_SOT-223	1.0	IC9
++++	09-30262020-05-00	集成电路IC	IC_XC6202_SOT-89_5V	1.0	IC15
++++	09-30278090-01-00	集成电路IC	IC_KIA7809AF_SOT-252	1.0	IC10
++++	09-30285210-00-00	集成电路IC	IC_LA8521_5A/23V DC-DC ESOP8	1.0	U203
++++	09-30300840-00-00	集成电路IC	IC TL084 SOP14	2.0	IC1 IC19
++++	09-30333660-00-00	集成电路IC	IC_UTCM3366_SOP8	1.0	IC3
++++	09-30340520-00-00	集成电路IC	IC_BU4052BCF_SOP16	1.0	IC105
++++	09-30473290-00-00	集成电路IC	IC_SJ73L29_SOT-23	1.0	IC6
++++	09-30573130-00-01	集成电路IC	IC_PT7313E_SOP-28	2.0	IC7 IC113
++++	09-30745581-00-00	集成电路IC	IC_NJM4558_SOP8	2.0	IC2 IC12
++++	09-30824160-00-00	集成电路IC	IC_AT24C16A_SOP-8	1.0	IC4
++++	09-30825320-00-00	集成电路IC	IC_MX25L3206E_8P	1.0	IC14

级别	子件编码	子件名称	规格	使用数量	位置号
++++	09-30863910-00-00	集成电路IC	IC_SDRAM_EM639165TS_8M*16bit_T SOP-54	1.0	IC16
++++	09-30982020-02-00	集成电路IC	IC_SPHE8202GQ_LQFP-128PIN 14*20MM2	1.0	IC5
++++	09-31166210-00-00	集成电路IC	IC_TEF6621T_SOP-32	1.0	RIC2
++++	11-30116020-08-00	稳压二极管	ZENER DIODE_SMD_16V_1/2W_LL- 34 ST	1.0	ZD8
++++	11-30175820-08-00	稳压二极管	ZENER DIODE_SMD_7.5V_1/2W_LL- 34 ST	1.0	ZD6
++++	11-30191820-08-00	稳压二极管	ZENER DIODE_SMD_9.1V_1/2W_LL- 34 ST	1.0	ZD2
++++	13-30330180-09-00	三极管	TRANSISTOR_SMD_2SK3018FPDT10 6 SOT-323 ROHM	2.0	Q28 Q30
++++	13-30364030-08-00	MOS管	TRANSISTOR_SMD_P6403FMG_SOT -23	2.0	Q9 Q31
++++	13-30601030-08-00	三极管	TRANSISTOR_SMD_KRC103S_SOT- 23 NPN KEC	7.0	Q19 Q24 Q27 Q3
++++	13-30601060-08-00	三极管	TRANSISTOR_SMD_KRC106S_SOT- 23 NPN KEC	3.0	Q11 Q7 Q29
++++	13-30602310-08-00	三极管	TRANSISTOR_SMD_KRC231S_SOT- 23 NPN KEC	7.0	Q8 Q22 Q23 Q3
++++	13-30638750-08-00	三极管	TRANSISTOR_SMD_KTC3875S- ALY SOT-23 NPN	4.0	Q5 Q14 Q17 Q3
++++	13-30639040-08-00	三极管	TRANSISTOR_SMD_2N3904S_KEC_ SOT-23 NPN KEC	2.0	Q1 Q15
++++	13-30680500-08-00	三极管	TRANSISTOR_SMD_2SC8050_SOT- 23 NPN	1.0	Q13
++++	13-30701060-08-00	三极管	TRANSISTOR_SMD_KRA106S_SOT- 23 PNP KEC	1.0	Q43
++++	13-30715040-08-00	三极管	TRANSISTOR_SMD_KTA1504S_SOT- 23 PNP KEC	6.0	Q6 Q16 Q20 Q2
++++	13-30785500-08-00	三极管	TRANSISTOR_SMD_8550_SOT- 23 PNP	1.0	Q21
++++	18-36270640-01-00	电路板	KSD6270R- MB FR4\DS 165.6*136*1.2MM VER:	1.0	PCB
++++	20-01100016-01-00	可恢复保险丝	FUSE PTC RESET_FSMD100- 1206R 1A SMD FUZETEC	1.0	FUS1
++++	46-09000001-00-00	连接器	FFC/FPC_CON_45PIN_0.5MM_双面接 触旋转后锁式	1.0	CON22
++++	46-30340090-06-00	连接器	FFC/FPC_CON_40PIN_0.5MM_立贴带 锁	1.0	CON1
+++	S-ST36270A1-E01	KSD6270R 主板 RDS功能SMT虚拟	RDS部分	1.0	SMT
++++	01-30000590-02-00	贴片电阻	RES_CHIP_0Ω_1/10W_±5%_0603	2.0	R216 R217
++++	01-30220590-02-00	贴片电阻	RES_CHIP_22Ω_1/10W_±5%_0603	1.0	R65
++++	01-31004590-02-00	贴片电阻	RES_CHIP_1MΩ_1/10W_±5%_0603	1.0	R103
++++	01-34700590-02-00	贴片电阻	RES_CHIP_470Ω_1/10W_±5%_0603	1.0	R120
++++	04-12205500-02-00	贴片电容	CAP_CHIP_22P_NPO_50V_± 5% 0603	2.0	C52 C84
++++	04-31060200-03-00	贴片电容	CAP_CHIP_106P_X5R_16V_± 10% 0805	1.0	C53
++++	04-32710300-02-00	贴片电容	CAP_CHIP_271P_X7R_25V_± 10% 0603	1.0	C102
++++	04-34740200-02-00	贴片电容	CAP_CHIP_474P_X7R_16V_± 10% 0603	1.0	C92
++++	04-35610300-02-00	贴片电容	CAP_CHIP_561P_X7R_25V_± 10% 0603	1.0	C51
++++	05-24332302-02-00	晶体	CRYSTAL_SMT_4.332MHz(20PF)_2PI N HC49S	1.0	Y2
++++	09-31225790-00-00	集成电路IC	IC_PT2579_SO16WIDE_RDS_DECO DER	1.0	IC23
+++	S-ST36270A1-C00	KSD6270R 主板 NO5.1CN功能SMT	NO 5.1CH部分	1.0	SMT
++++	01-30000590-02-00	贴片电阻	RES_CHIP_0Ω_1/10W_±5%_0603	1.0	R129
++++	01-30000590-07-00	贴片电阻	RES_CHIP_0Ω*4_1/10W_±5%_贴片排 阻	1.0	RN2

级别	子件编码	子件名称	规格	使用数量	位置号
+	S-MU36270A3-000	KSD6270R 伺服板 PCBA半成品	配KSD系列机型	1.0	机芯组装
++	12-20111100-02-00	开关	SWITCH Lightly touch DIP SW111 2PIN	1.0	SW1
++	14-20300230-00-00	红外发射管	DIDOER IR EMIEEING_EL- 23F DIP KODENSHI	2.0	LED1 LED2
++	34-01401400-01-00	连接排线	FFC_WIRE_40PIN_140MM_0.5MM同 向接触	1.0	MB-SERVO排线
++	40-20028003-01-00	机芯	DVD DECK_SD-28HX-MWW-53X_顺 誉(光头FPC线要求长53MM)	1.0	DVD机芯
++	S-ST36270A3-000	KSD6270R 伺服板 SMT半成品	配KSD系列机型	1.0	组装
+++	S-ST36270A3-A00	KSD6270R 伺服板 基本功能SMT虚拟	KSD6270R/AVN公用部分	1.0	SMT
++++	01-30000510-04-00	贴片电阻	RES_CHIP_0Ω_1/4W_±5%_1206	15.0	L2 R2 R4 R5 R6
++++	01-30010590-02-00	贴片电阻	RES_CHIP_1Ω_1/10W_±5%_0603	1.0	R234
++++	01-30518590-02-00	贴片电阻	RES_CHIP_5.1Ω_1/10W_±5%_0603	2.0	R178 R188
++++	01-31002590-02-00	贴片电阻	RES_CHIP_10KΩ_1/10W_±5%_0603	2.0	R7 R8
++++	01-31200590-02-00	贴片电阻	RES_CHIP_120Ω_1/10W_±5%_0603	1.0	R10
++++	01-34702590-02-00	贴片电阻	RES_CHIP_47KΩ_1/10W_±5%_0603	2.0	R9 R395
++++	03-14760000-01-00	钽电容	CAP_TAN_47uF_6.3V_±10%_A	3.0	C1 C4 C17
++++	04-31069000-02-00	贴片电容	CAP_CHIP_106P_X5R_6.3V_± 20%_0603_SAMSUNG	2.0	C12 R31
++++	04-32260200-04-00	贴片电容	CAP_CHIP_226P_X5R_16V_± 10%_1206	1.0	C13
++++	04-32269000-03-00	贴片电容	CAP_CHIP_226P_X5R_6.3V_± 20%_0805(TDK)	8.0	C2 C5 C7 C8 C9
++++	06-31029501-03-00	磁珠	BEAD_1KΩ_500MA_100MHz_± 25%_0805	2.0	L10 L11
++++	07-34100220-04-00	电感	INDUCTOR_CHIP_10uH_±10%_1206	2.0	L1 L3
++++	09-30658880-00-00	集成电路IC	IC_AM5888S_HSOP_28	1.0	U10
++++	13-30715040-08-00	三极管	TRANSISTOR_SMD_KTA1504S_SOT- 23_PNP_KEC	2.0	Q7 Q8
++++	18-36270240-03-00	电路板	KSD6270R_SERVO_CEM- 1/SS_107*80.8*1.2MM_VER1.0	1.0	PCB
++++	46-20340090-06-00	连接器	FFC/FPC_CON_40PIN_0.5MM_双面接 触旋转后锁式	1.0	CON1
++++	46-30324010-06-00	连接器	FFC/FPC_CON_24PIN_0.5MM_双面接 触旋转后锁式	1.0	CON6
+++	S-ST36270A3-B00	KSD6270R 伺服板 配KSD机型SMT虚	KSD6270R KSD部分	1.0	SMT
++++	01-30000510-04-00	贴片电阻	RES_CHIP_0Ω_1/4W_±5%_1206	7.0	R27 R45 R26 R3
++++	01-30000590-02-00	贴片电阻	RES_CHIP_0Ω_1/10W_±5%_0603	5.0	R12 R19 R20 R2
++++	01-31002590-02-00	贴片电阻	RES_CHIP_10KΩ_1/10W_±5%_0603	1.0	R200
++++	01-31003590-02-00	贴片电阻	RES_CHIP_100KΩ_1/10W_±5%_0603	1.0	R201
++++	01-32201590-02-00	贴片电阻	RES_CHIP_2.2KΩ_1/10W_±5%_0603	2.0	R202 R203
++++	01-34702590-02-00	贴片电阻	RES_CHIP_47KΩ_1/10W_±5%_0603	1.0	R13
++++	01-38202590-02-00	贴片电阻	RES_CHIP_82KΩ_1/10W_±5%_0603	1.0	R11
++++	04-31020300-02-00	贴片电容	CAP_CHIP_102P_X7R_25V_± 10%_0603	1.0	C361
++++	04-31040300-02-00	贴片电容	CAP_CHIP_104P_X7R_25V_± 10%_0603	2.0	C363 C364
++++	04-38210300-02-00	贴片电容	CAP_CHIP_821P_X7R_25V_± 10%_0603	1.0	C359
+	S-MU36100A5-000	KSD6100 TFT板 PCBA半成品	红色灯光+麦克风+6寸屏	1.0	面板组装

级别	子件编码	子件名称	规格	使用数量	位置号
++	14-20313800-00-00	遥控接收头	IR RECEIVER_BRM-138B_38KHz_遥控头(不带屏蔽罩)	1.0	组装
++	14-20420560-00-00	麦克风(停)	MICPHONE_SAY2056-0010_42±3dB_Φ4.0*1.5MM(线长30MM)	1.0	组装
++	25-30610000-00-00	TFT-LCD	TFT LCD MODULE_CPT-CLAA061LA0ACW.恒益创兴	1.0	组装
++	25-44061000-01-00	触摸屏	TOUCH SCREEN_6.1寸_VTW4061A9—纬拓光电	1.0	组装
++	34-01451200-01-00	连接排线	FFC/FPC扁平线 45PIN 120MM 0.5MM	1.0	TFT到MB
++	34-02240400-01-00	连接排线	FFC_WIRE_24PIN_40MM_0.5MM(同向接触)	1.0	TFT到MB
++	45-30325001-04-00	特殊连接器	USB JACK_4PIN_10.0MM_DIP_180°(C425-407025-001带卷边)	1.0	组装
++	54-11060302-00-00	ELECTRIC SPONGE/导电棉	8*10*10MM 导电棉	1.0	组装
++	S-ST36100A5-000	KSD6100 TFT板 SMT半成品	红色灯光	1.0	PCBA
+++	01-30000500-03-00	贴片电阻	RES_CHIP_0Ω_1/8W_±5%_0805_UNIOHM	2.0	L27 D8
+++	01-30000510-04-00	贴片电阻	RES_CHIP_0Ω_1/4W_±5%_1206	1.0	ZD2
+++	01-30000590-02-00	贴片电阻	RES_CHIP_0Ω_1/10W_±5%_0603	4.0	R5 R57 R67 R69
+++	01-30020590-02-00	贴片电阻	RES_CHIP_2Ω_1/10W_±5%_0603	1.0	R49
+++	01-30330590-02-00	贴片电阻	RES_CHIP_33Ω_1/10W_±5%_0603	7.0	R4 R9 R10 R35
+++	01-30330590-07-00	贴片排阻	RES_CHIP_33Ω*4_1/10W_±5%_贴片排阻	6.0	RES1 RES2 RES3
+++	01-30568590-02-00	贴片电阻	RES_CHIP_5.6Ω_1/10W_±5%_0603	1.0	R48
+++	01-30750590-02-00	贴片电阻	RES_CHIP_75Ω_1/10W_±5%_0603	6.0	R23 R25 R29 R6
+++	01-30910590-02-00	贴片电阻	RES_CHIP_91Ω_1/10W_±5%_0603	2.0	R26 R27
+++	01-31000590-02-00	贴片电阻	RES_CHIP_100Ω_1/10W_±5%_0603	1.0	R13
+++	01-31001590-02-00	贴片电阻	RES_CHIP_1KΩ_1/10W_±5%_0603	5.0	R19 R34 R41 R7
+++	01-31002590-02-00	贴片电阻	RES_CHIP_10KΩ_1/10W_±5%_0603	1.0	R1
+++	01-31002590-07-00	贴片排阻	RES_CHIP_10KΩ*4_1/10W_±5%_贴片排阻	1.0	RN1
+++	01-31003590-02-00	贴片电阻	RES_CHIP_100KΩ_1/10W_±5%_0603	1.0	R11
+++	01-31200590-02-00	贴片电阻	RES_CHIP_120Ω_1/10W_±5%_0603	1.0	R24
+++	01-31201590-02-00	贴片电阻	RES_CHIP_1.2KΩ_1/10W_±5%_0603	1.0	R36
+++	01-31202590-02-00	贴片电阻	RES_CHIP_12KΩ_1/10W_±5%_0603	2.0	R44 R45
+++	01-31303190-02-00	贴片电阻	RES_CHIP_130KΩ_1/10W_±1%_0603	1.0	R16
+++	01-31501590-02-00	贴片电阻	RES_CHIP_1.5KΩ_1/10W_±5%_0603	3.0	R60 R146 R226
+++	01-31502590-02-00	贴片电阻	RES_CHIP_15KΩ_1/10W_±5%_0603	1.0	R18
+++	01-32200590-02-00	贴片电阻	RES_CHIP_220Ω_1/10W_±5%_0603	7.0	R30 RL1 RL2 RL
+++	01-32201590-02-00	贴片电阻	RES_CHIP_2.2KΩ_1/10W_±5%_0603	1.0	R22
+++	01-32202590-02-00	贴片电阻	RES_CHIP_22KΩ_1/10W_±5%_0603	2.0	R46 R47
+++	01-32203590-02-00	贴片电阻	RES_CHIP_220KΩ_1/10W_±5%_0603	1.0	R17
+++	01-33300590-02-00	贴片电阻	RES_CHIP_330Ω_1/10W_±5%_0603	1.0	R2
+++	01-33900590-02-00	贴片电阻	RES_CHIP_390Ω_1/10W_±5%_0603	4.0	R3 R33 R62 R22
+++	01-34701590-02-00	贴片电阻	RES_CHIP_4.7KΩ_1/10W_±5%_0603	4.0	R8 R12 R31 R51

级别	子件编码	子件名称	规格	使用数量	位置号
+++	01-34702590-02-00	贴片电阻	RES_CHIP_47KΩ_1/10W_±5%_0603	1.0	R50
+++	01-35600590-02-00	贴片电阻	RES_CHIP_560Ω_1/10W_±5%_0603	1.0	R228
+++	01-36800590-02-00	贴片电阻	RES_CHIP_680Ω_1/10W_±5%_0603	4.0	R43 R63 R68 R2
+++	01-38201590-02-00	贴片电阻	RES_CHIP_8.2KΩ_1/10W_±5%_0603	2.0	R7 R20
+++	01-38202590-02-00	贴片电阻	RES_CHIP_82KΩ_1/10W_±5%_0603	2.0	R38 R40
+++	01-39100590-02-00	贴片电阻	RES_CHIP_910Ω_1/10W_±5%_0603	1.0	R58
+++	03-22279000-07-00	贴片铝电解电容	CAP_SMD_220uF_6.3V_±20%_40+105℃_Φ6.3*5.4MM	2.0	CE1 CE2
+++	04-12705500-02-00	贴片电容	CAP_CHIP_27P_NPO_50V_±5%_0603	2.0	C48 C49
+++	04-31010300-02-00	贴片电容	CAP_CHIP_101P_X7R_25V_±10%_0603	1.0	C41
+++	04-31020300-02-00	贴片电容	CAP_CHIP_102P_X7R_25V_±10%_0603	5.0	C1 C10 C21 C26
+++	04-31040300-02-00	贴片电容	CAP_CHIP_104P_X7R_25V_±10%_0603	15.0	C2 C3 C4 C5 C6
+++	04-31050200-02-00	贴片电容	CAP_CHIP_105P_X7R_16V_±10%_0603	1.0	C44
+++	04-31050300-03-00	贴片电容	CAP_CHIP_105P_X7R_25V_±10%_0805	2.0	C34 C153
+++	04-31060200-03-00	贴片电容	CAP_CHIP_106P_X5R_16V_±10%_0805	8.0	C11 C12 C15 C1
+++	04-31060300-04-00	贴片电容	CAP_CHIP_106P_X7R_25V_±10%_1206	2.0	C38 C39
+++	04-11815500-02-00	贴片电容	CAP_CHIP_181P_NPO_50V_±5%_0603	1.0	C18
+++	04-32250200-02-01	贴片电容	CAP_CHIP_225P_X5R_16V_±10%_0603(SAMSUNG)	20.0	C28 C60 C63 C6
+++	04-32269000-03-00	贴片电容	CAP_CHIP_226P_X5R_6.3V_±20%_0805(TDK)	5.0	C29 C31 C32 C4
+++	04-33310300-02-00	贴片电容	CAP_CHIP_331P_X7R_25V_±10%_0603	4.0	C19 C20 C23 C2
+++	05-22700401-02-00	晶体	CRYSTAL_SMT_27MHz(30PPM/20PF)_2PIN_HC49S	1.0	X1
+++	06-31029101-02-00	磁珠	BEAD_1KΩ_100MA_100MHz_±25%_0603	9.0	L6 L7 L8 L13 L14
+++	06-31029501-03-00	磁珠	BEAD_1KΩ_500MA_100MHz_±25%_0805	1.0	L1
+++	07-33150240-12-00	电感	INDUCTOR_SMD_15uH_±20%_4.5*4.0*3MM	2.0	L9 L12
+++	07-34100220-02-00	电感	INDUCTOR_CHIP_10uH_±10%_0603	1.0	L28
+++	07-34100220-03-00	电感	INDUCTOR_CHIP_10uH_±10%_0805	4.0	L10 L11 L16 L24
+++	07-34180120-02-00	电感	INDUCTOR_CHIP_1.8uH_±10%_0603	1.0	L4
+++	07-34330120-02-00	电感	INDUCTOR_CHIP_3.3uH_±10%_0603	5.0	L2 L3 L5 L17 L27
+++	08-30200990-04-00	二极管	DIODE_SMD_BAV99_SOT23_CJ	2.0	D1 D2
+++	08-30400240-07-00	二极管	DIODE_SMD_SS24_DO-214AC_STARSEA	2.0	D3 D6
+++	09-30211170-02-00	集成电路IC	IC_AMS1117_1.8V_SOT-223	1.0	IC3
+++	09-30211170-04-00	集成电路IC	IC_AMS1117_3.3V_SOT-223	1.0	IC4
+++	09-30233020-00-00	集成电路IC	IC_MP3302_SOT23-5	1.0	IC7
+++	09-30291190-00-00	集成电路IC	IC_XC9119D10A_SOT-25	1.0	IC2
+++	09-30333660-00-00	集成电路IC	IC_UTCM3366_SOP8	1.0	IC1
+++	09-30688320-01-00	集成电路IC	IC_TW8832-LB1-CR_80PIN_LQFP_10*10	1.0	IC5
+++	10-30101002-01-02	发光二极管	LED_CHIP_SUPPER_RED_0603_GY-0603QRCXMH-EC 商宇	6.0	LED1 LED2 LED

级别	子件编码	子件名称	规格	使用数量	位置号
+++	11-30118020-08-00	稳压二极管	ZENER DIODE_SMD_18V_1/2W_LL-34 ST	1.0	ZD4
+++	11-30168820-08-00	稳压二极管	ZENER DIODE_SMD_6.8V_1/2W_LL-34 ST	1.0	ZD1
+++	12-30236072-02-01	开关	SWITCH KEY_SMD_HT-1106S_2PIN(无定位柱) 6*3.5*4.3MM	5.0	SW1 SW2 SW3
+++	13-30601060-08-00	三极管	TRANSISTOR_SMD_KRC106S_SOT-23 NPN KEC	2.0	Q4 Q5
+++	13-30602310-08-00	三极管	TRANSISTOR_SMD_KRC231S_SOT-23 NPN KEC	1.0	Q2
+++	13-30680500-08-00	三极管	TRANSISTOR_SMD_2SC8050_SOT-23 NPN	1.0	Q3
+++	13-30715040-08-00	三极管	TRANSISTOR_SMD_KTA1504S_SOT-23 PNP KEC	1.0	Q1
+++	18-36100640-05-00	电路板	KSD6100_TFT_FR4/DS_141*68*1.2M M VER1.0包括KB-SD-AUX	1.0	PCB
+++	20-01100016-01-00	可恢复保险丝	FUSE PTC RESET_FSMD100-1206R 1A SMD FUZETEC	1.0	FUS1
+++	45-30102801-09-00	特殊连接器	SD CARD SOCKET_9PIN_上接触	1.0	SD2
+++	45-30435051-04-00	特殊连接器	PHONE_JACK_4PIN_PJ-3505_SMD	1.0	CON4
+++	46-09000001-00-00	连接器	FFC/FPC_CON_45PIN_0.5MM_双面接触旋转后锁式	1.0	CON2
+++	46-20302040-09-00	连接器	BAR CONNECTOR_2PIN_6.5MM_高压卧贴插座	1.0	CON9
+++	46-20360090-06-00	连接器	FFC/FPC_CON_60PIN_0.5MM_卧贴下接翻盖	1.0	CON1
+++	46-30304010-05-00	连接器	FFC/FPC_CON_4PIN_1.0MM_双面接触旋转后锁式	1.0	CON10
+++	46-30324010-06-00	连接器	FFC/FPC_CON_24PIN_0.5MM_双面接触旋转后锁式	2.0	CON3 CON6
+	S-ST36110A6-000	KSD6110 蓝牙板 SMT半成品	ZYM-BT65-V2.0	1.0	组装
++	01-30000590-02-00	贴片电阻	RES_CHIP_0Ω_1/10W_±5%_0603	1.0	R17
++	01-30228590-02-00	贴片电阻	RES_CHIP_2.2Ω_1/10W_±5%_0603	3.0	R15 R728 R731
++	01-31000590-02-00	贴片电阻	RES_CHIP_100Ω_1/10W_±5%_0603	2.0	R3 R4
++	01-31001590-02-00	贴片电阻	RES_CHIP_1KΩ_1/10W_±5%_0603	2.0	R55 R56
++	01-31502590-02-00	贴片电阻	RES_CHIP_15KΩ_1/10W_±5%_0603	1.0	R6
++	01-35600590-02-00	贴片电阻	RES_CHIP_560Ω_1/10W_±5%_0603	3.0	R8 R11 R12
++	01-37502590-02-00	贴片电阻	RES_CHIP_75KΩ_1/10W_±5%_0603	1.0	R719
++	01-38201590-02-00	贴片电阻	RES_CHIP_8.2KΩ_1/10W_±5%_0603	6.0	R5 R10 R13 R14
++	04-14705500-02-00	贴片电容	CAP_CHIP_47P_NPO_50V_±5%_0603	1.0	C45
++	04-31010300-02-00	贴片电容	CAP_CHIP_101P_X7R_25V_±10%_0603	1.0	C5
++	04-31040300-02-00	贴片电容	CAP_CHIP_104P_X7R_25V_±10%_0603	1.0	C244
++	04-31050200-02-00	贴片电容	CAP_CHIP_105P_X7R_16V_±10%_0603	1.0	C8
++	04-31060200-03-00	贴片电容	CAP_CHIP_106P_X5R_16V_±10%_0805	2.0	C2 C53
++	04-32240300-02-00	贴片电容	CAP_CHIP_224P_X7R_25V_±10%_0603	1.0	C4
++	04-32250200-02-01	贴片电容	CAP_CHIP_225P_X5R_16V_±10%_0603 (SAMSUNG)	1.0	C245
++	04-32269000-03-00	贴片电容	CAP_CHIP_226P_X5R_6.3V_±20%_0805(TDK)	4.0	C1 C3 C42 C55
++	09-30232330-00-00	集成电路IC	IC_FSP2132C33AD_SOT23-5L LITEON	1.0	IC3
++	09-30745581-00-00	集成电路IC	IC_NJM4558_SOP8	1.0	IC2
++	13-30639040-08-00	三极管	TRANSISTOR_SMD_2N3904S_KEC_SOT-23 NPN KEC	2.0	Q1 Q8

级别	子件编码	子件名称	规格	使用数量	位置号
++	14-30600650-00-00	蓝牙模块	BLUE TOOTH MODULE_ZYM-BT65-V2.0 15.3*9.22*1.8MM	1.0	BT2
++	18-36110640-06-00	电路板	KSD6110-BT FR4/DS 41.4*32*1.2MM VER1.0	1.0	PCB