

Service Manual



CONTENTS

Technical specification	1-2
Main board	
Circuit diagram	1- 4
Layout diagram	1-5 ... 1-6
Servo board	
Circuit diagram	2-1
Layout diagram	2-2 ... 2-3
Panel board	
Circuit diagram	3-1 ... 3-2
Layout diagram	3-3
Exploded view diagram	4-1
Instruction Manual	page17-36

TFT Monitor section

Screen Size	:6.2 inches
Display Resolution	:800x480 dots
Contrast Ratio	:500

Disc player section

Disc System	:DVD/CD/VCD
Disc Diameter	:12cm
Frequency Response	:20Hz - 20kHz
Signal/Noise Ratio	:>75 dB
Total Harmonic Distortion	:Less than 0.3%
Channel Separation	:>55 dB
Video Signal Format	:NTSC/PAL
Video Output	:1+/-0.2V p-p

USB interface section

USB Standard	:USB 2.0 Full Speed
File System	:FAT 16/32
Maximum Current	:DC 5V= 1A
D/A Converter	:24Bit
Video Decoder	:MPEG1/MPEG2
Audio Decoder	:MP3/WMA

Memory Card section

Memory Cards	:SD/SDHC
Maximum Capacity	:32G

Bluetooth section

Communication System	: Bluetooth Standard version 2.0
Output	: Bluetooth Standard Power Class 2
Maximum Communication Range	: Approx. 5meters
Frequency Band	: 2.4 GHz
Compatible Bluetooth Profiles	: HFP/HSP/A2DP/AVRCP
Supported Codecs	: SBC (Sub Band Codec)

Radio section

Frequency FM range	: 87.5 - 108.0 MHz
Frequency AM(MW) range	: 522-1620 KHz
Usable sensitivity	: 2 uV (FM)
	: 25 uV (AM)(MW)

Video section

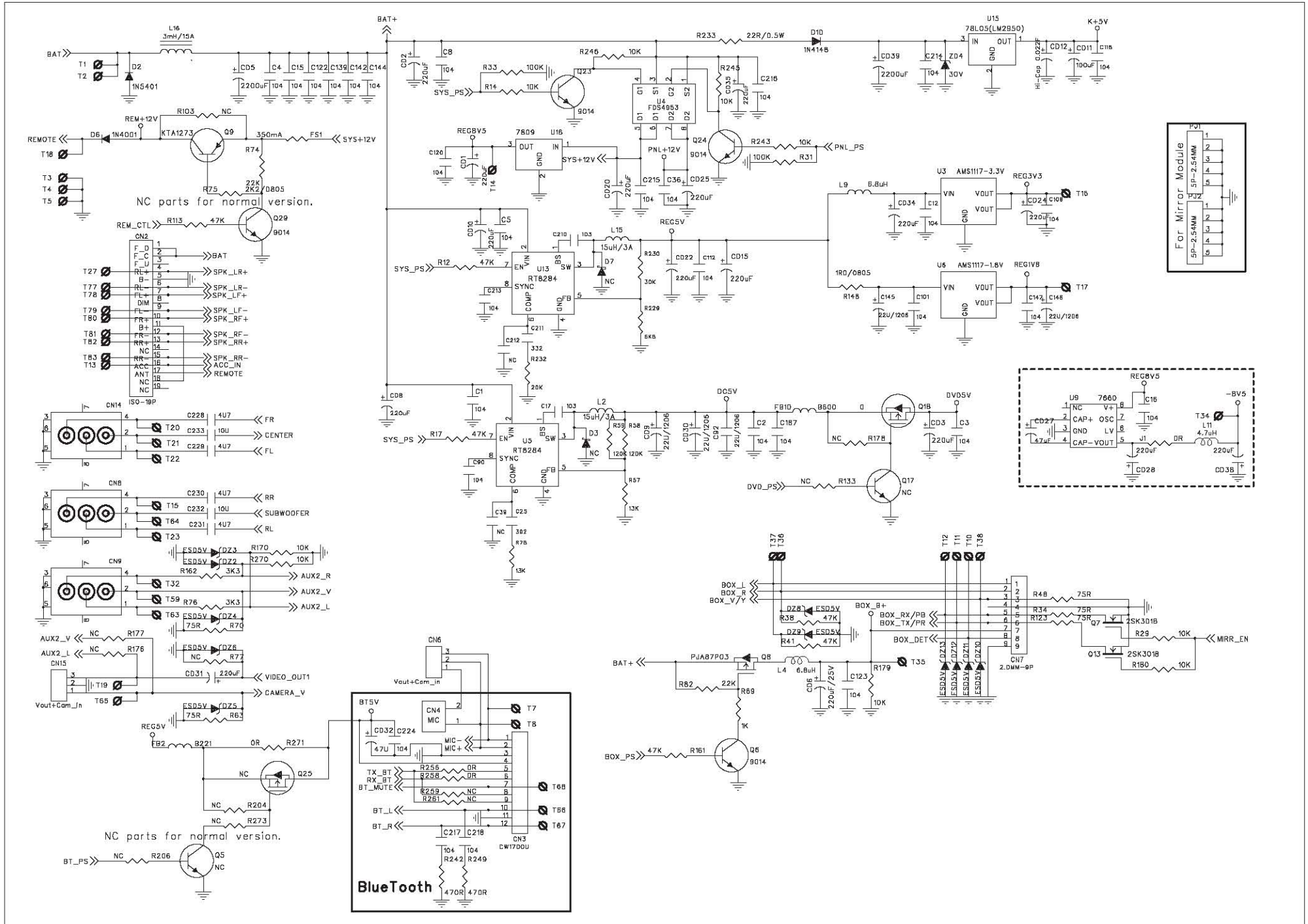
Color System of External Video Input	: NTSC/PAL/SCEAM
External Video Input (RCA/3.5m Jack)	: 1 Vp-p /75Ω

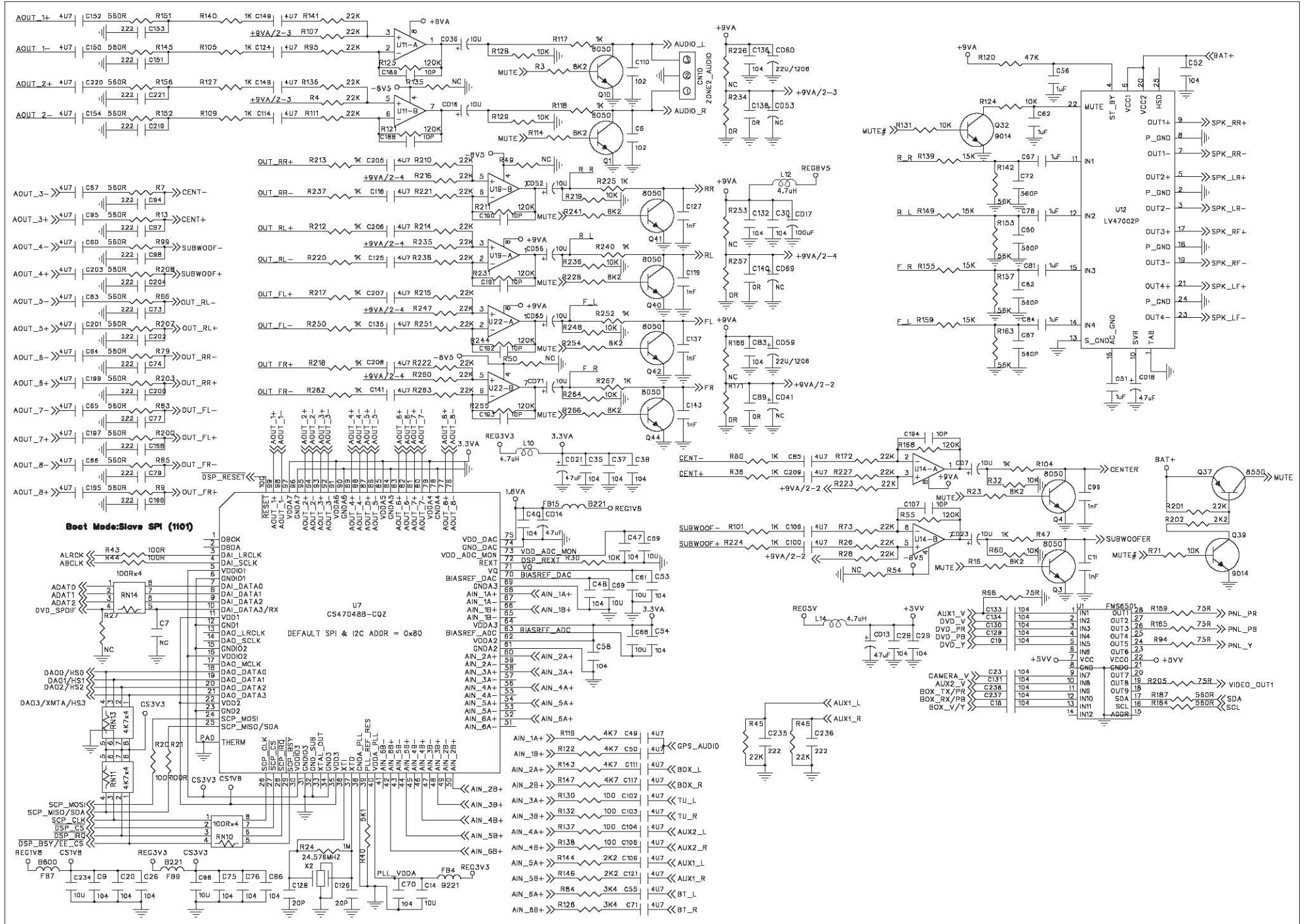
Audio section

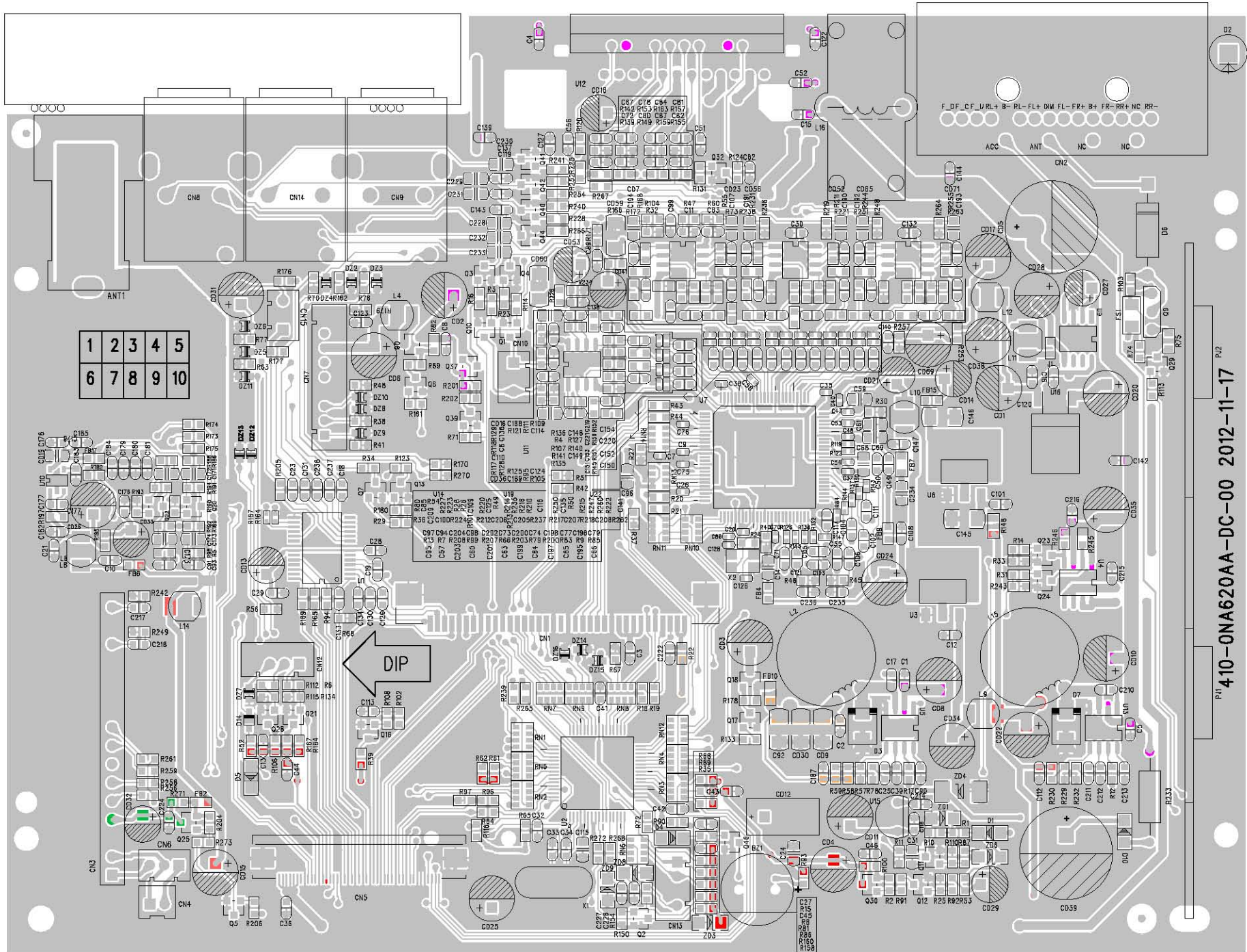
Maximum Power	: 50Wx4
Continuous Power Output (RMS)	: 22 Wx4
Preout Level (V)	: 5 V/10kΩ
Preout Impedance	: ≤ 600Ω
Speaker Impedance	: 4-8 Ω
External Audio Input Level (RCA)	: 1 V/10KΩ
External Audio Input Level (3.5mm Jack)	: 600mv/10KΩ (<1%THD)

General

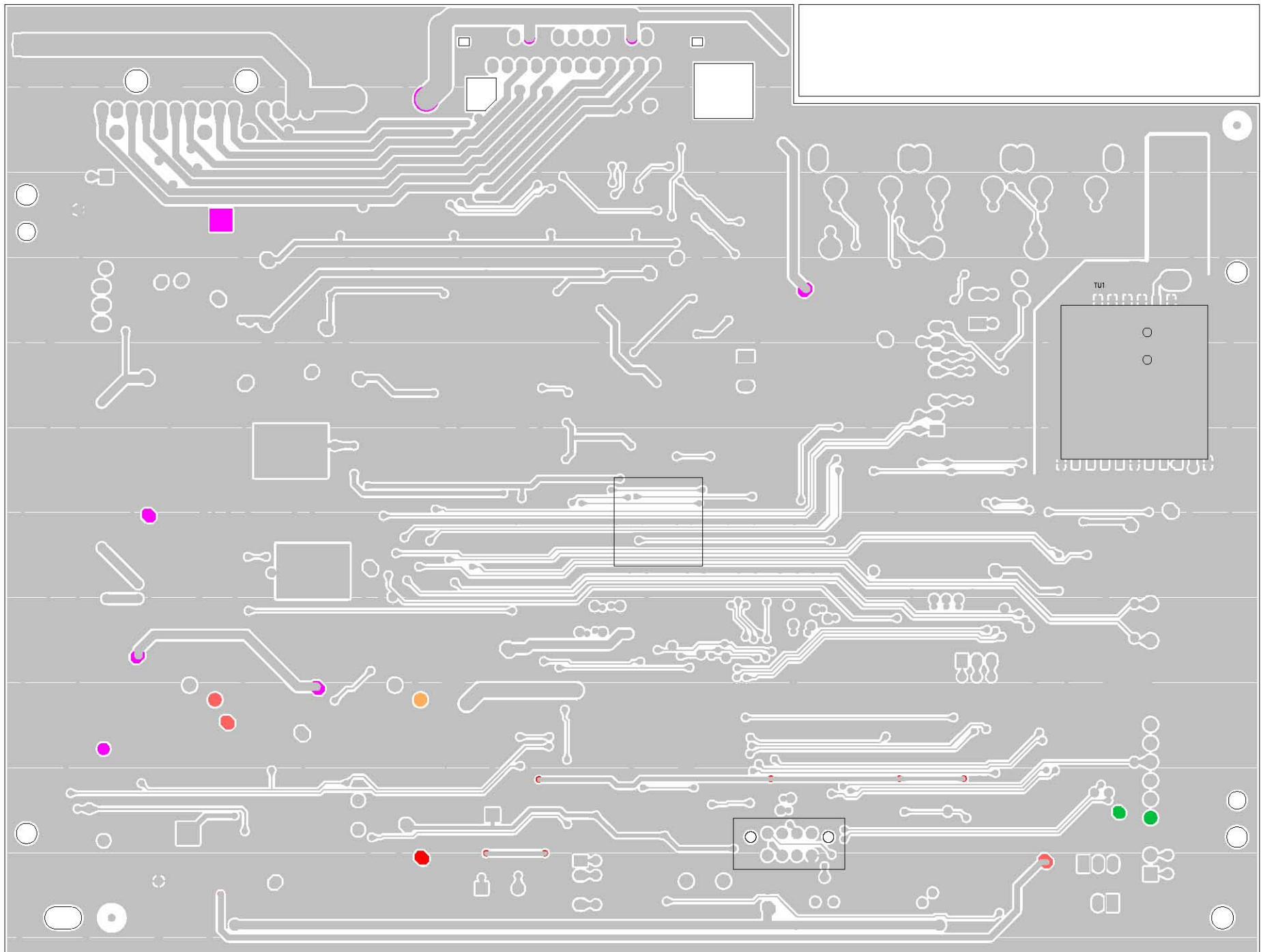
Operating Voltage	: 14.4V(10.5-16 V)
Dimensions(WxHxD)	: 178x102x172mm
Operational Temperature Range	: -10°C-+60°C
Storage Temperature Range	: -20°C-+80°C
Weight	: 1.92 kg

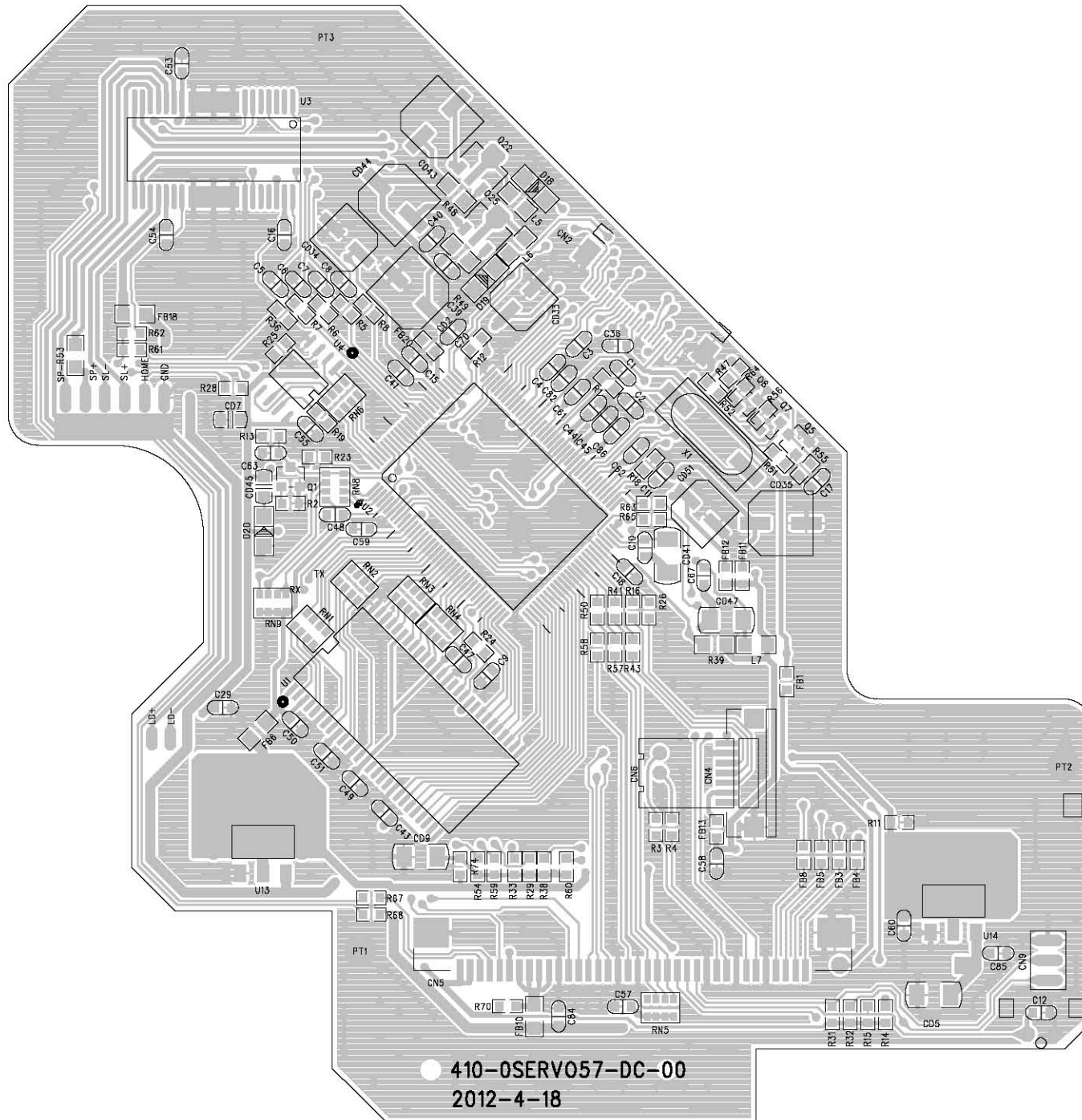


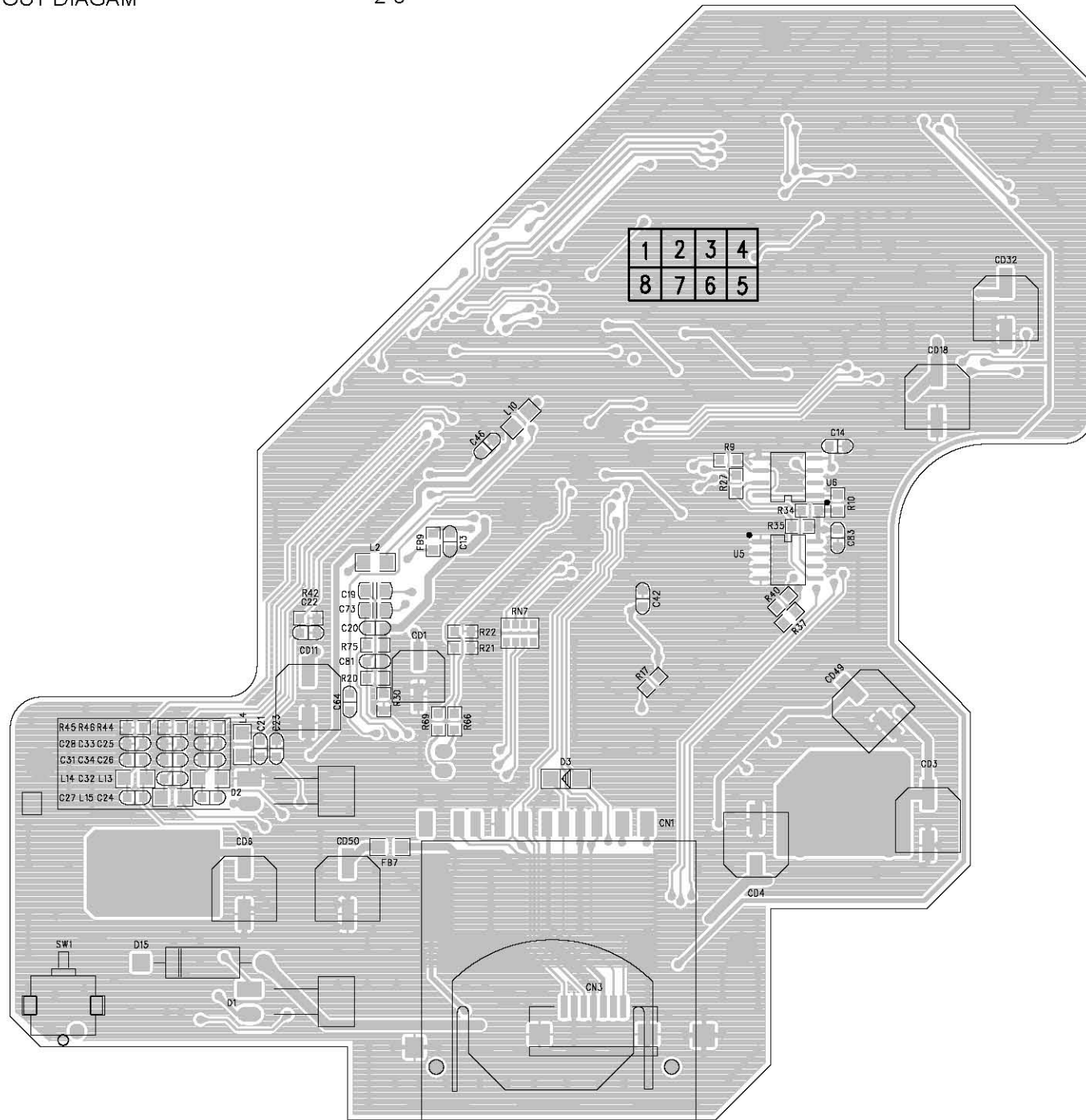


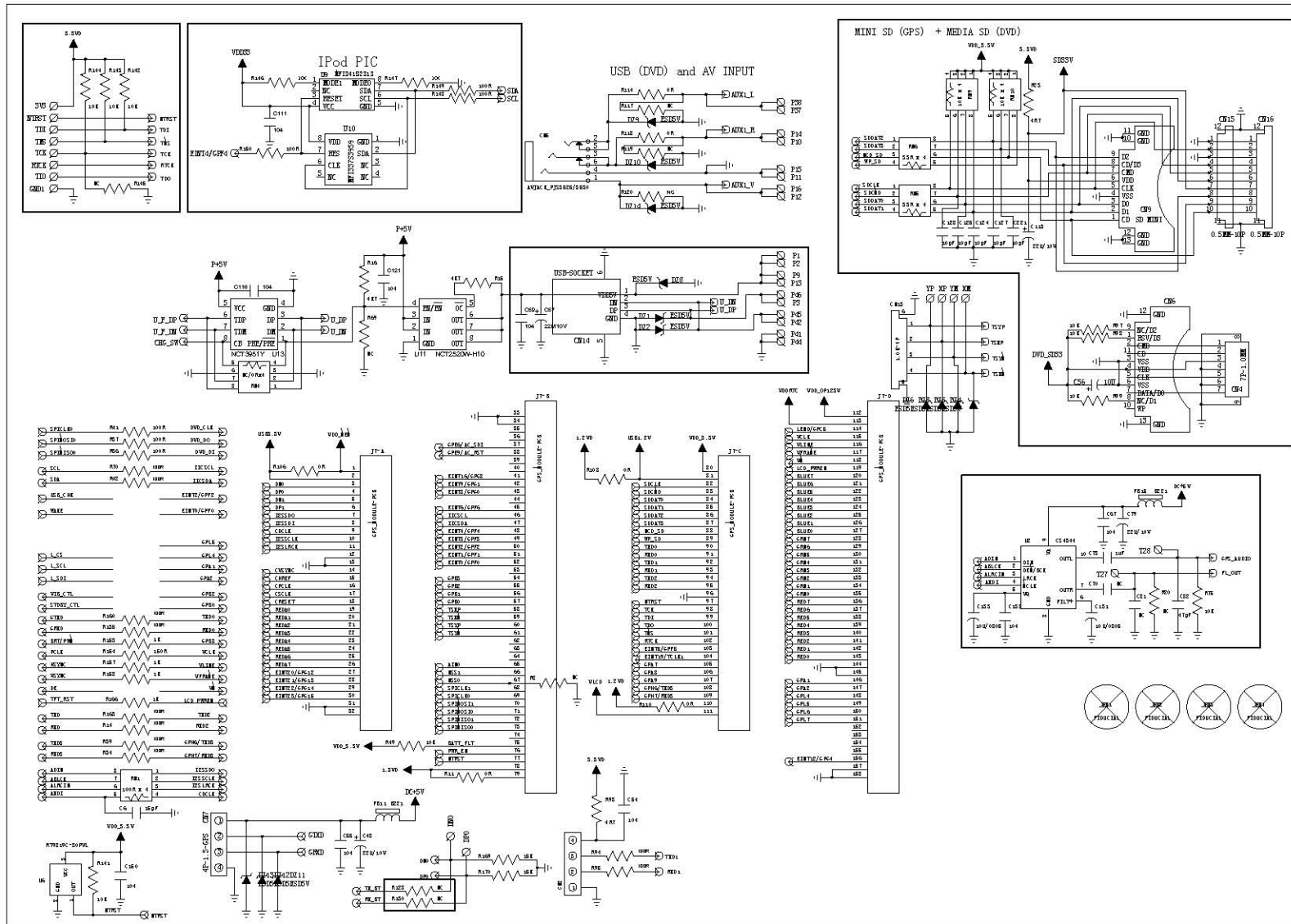


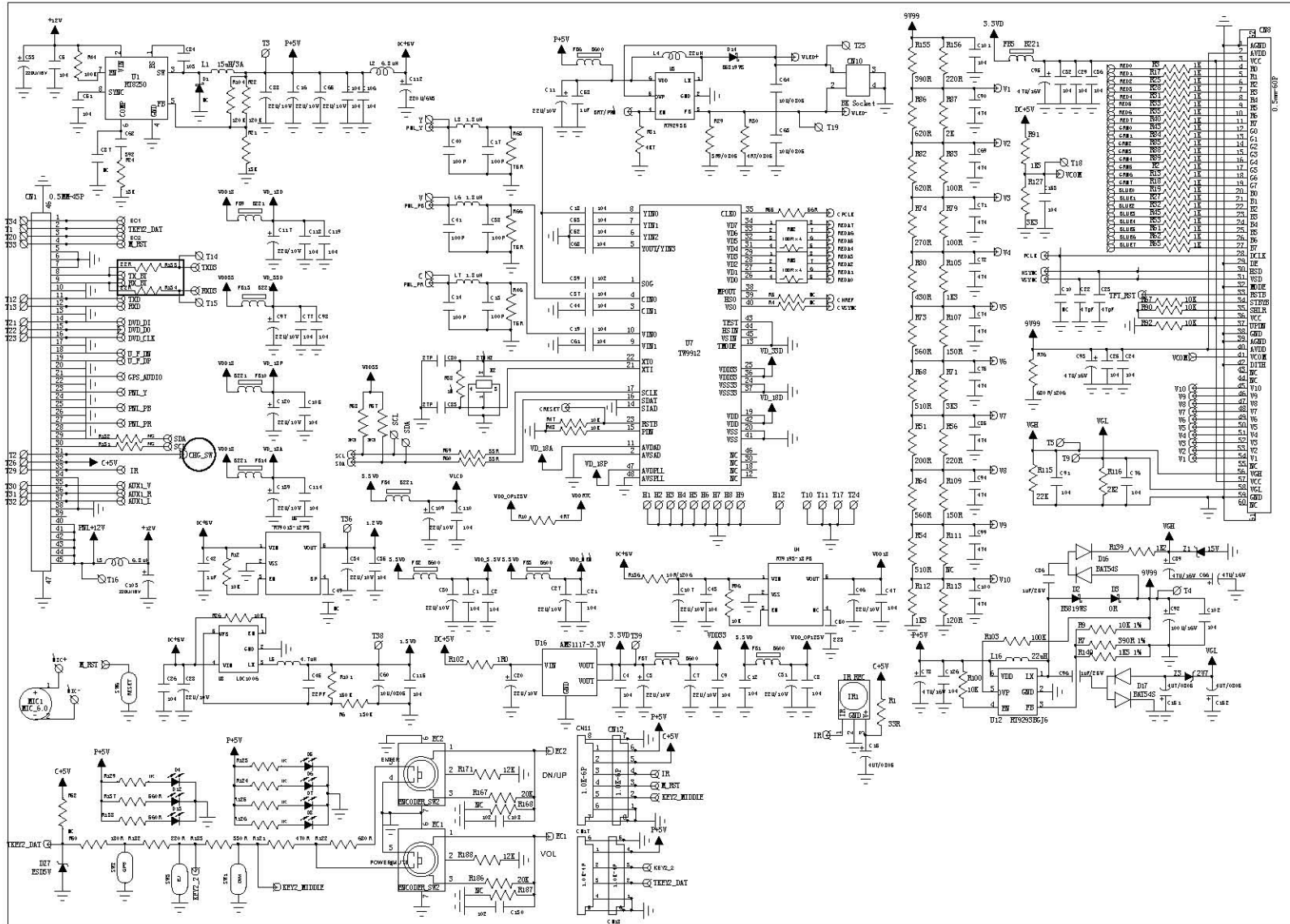
P1 410-ONA620AA-DC-00 2012-11-17 P2

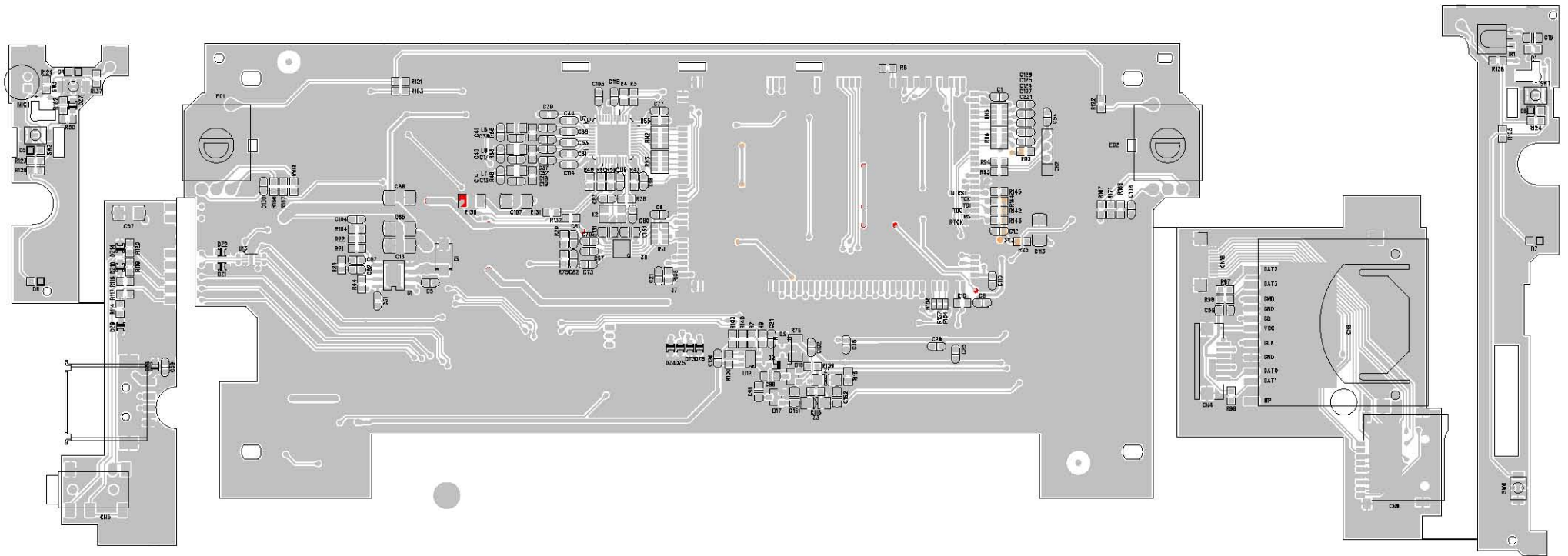


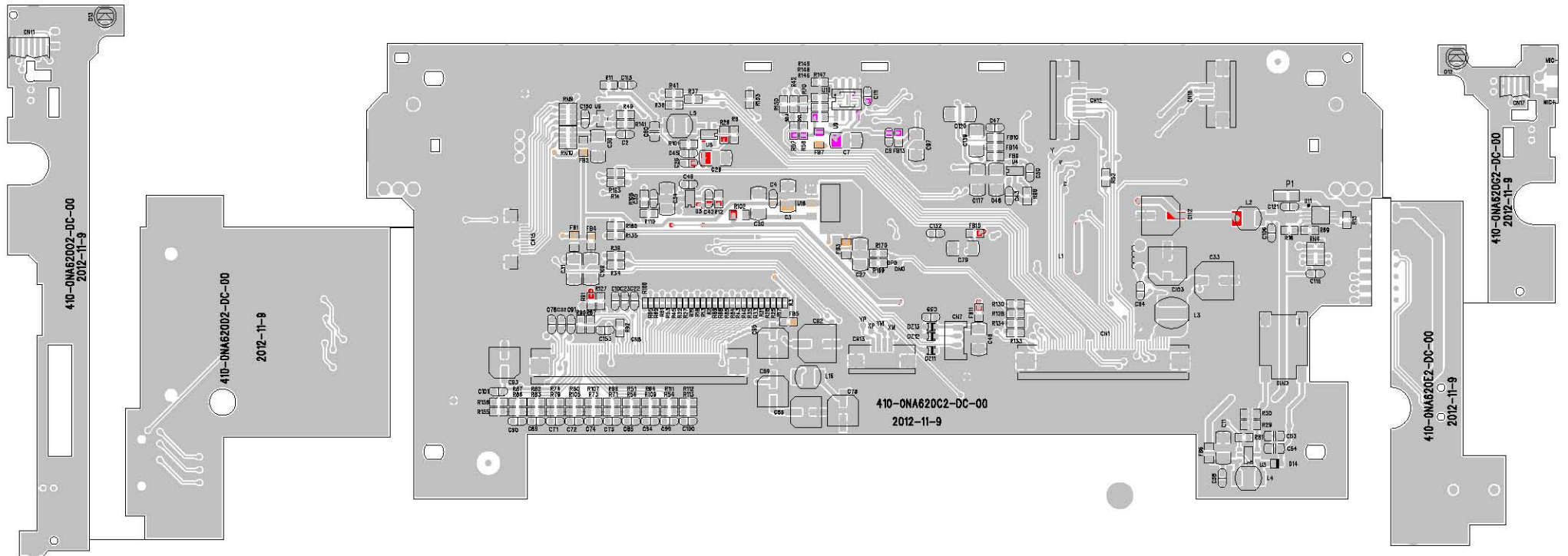


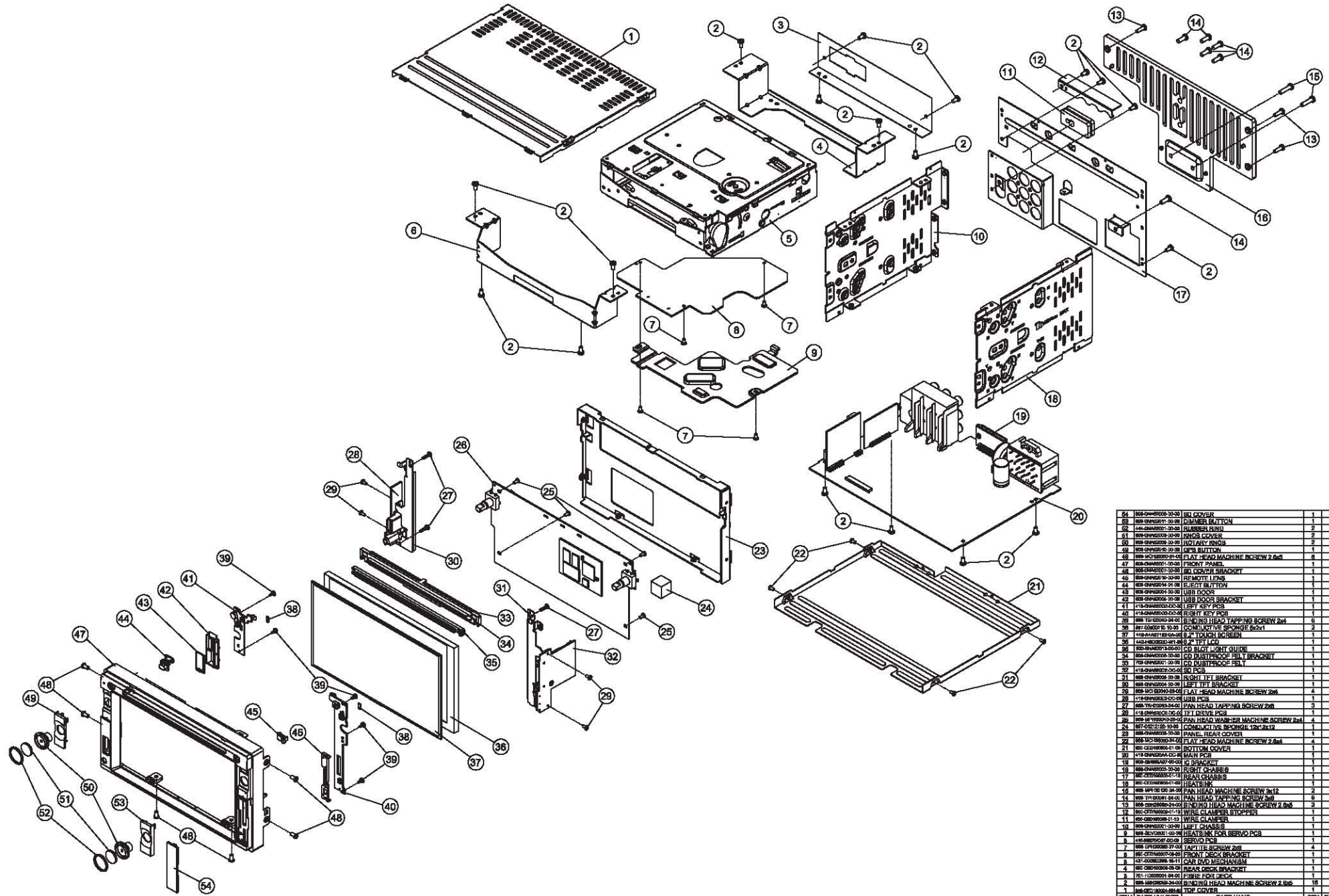












ITEM	PART NUMBER	PART NAME	QTY	REMARK
1	888-000000-00-00	SLI COVER	1	
2	888-000000-00-00	CHASSIS	1	
3	888-000000-00-00	FRONT PANEL	1	
4	888-000000-00-00	REAR PANEL	1	
5	888-000000-00-00	KEYBOARD	1	
6	888-000000-00-00	DISPLAY	1	
7	888-000000-00-00	FRONT BRACKET	1	
8	888-000000-00-00	REAR BRACKET	1	
9	888-000000-00-00	KEYBOARD BRACKET	1	
10	888-000000-00-00	FRONT BRACKET	1	
11	888-000000-00-00	REAR BRACKET	1	
12	888-000000-00-00	FRONT BRACKET	1	
13	888-000000-00-00	REAR BRACKET	1	
14	888-000000-00-00	FRONT BRACKET	1	
15	888-000000-00-00	REAR BRACKET	1	
16	888-000000-00-00	FRONT BRACKET	1	
17	888-000000-00-00	REAR BRACKET	1	
18	888-000000-00-00	FRONT BRACKET	1	
19	888-000000-00-00	REAR BRACKET	1	
20	888-000000-00-00	FRONT BRACKET	1	
21	888-000000-00-00	REAR BRACKET	1	
22	888-000000-00-00	FRONT BRACKET	1	
23	888-000000-00-00	REAR BRACKET	1	
24	888-000000-00-00	FRONT BRACKET	1	
25	888-000000-00-00	REAR BRACKET	1	
26	888-000000-00-00	FRONT BRACKET	1	
27	888-000000-00-00	REAR BRACKET	1	
28	888-000000-00-00	FRONT BRACKET	1	
29	888-000000-00-00	REAR BRACKET	1	
30	888-000000-00-00	FRONT BRACKET	1	
31	888-000000-00-00	REAR BRACKET	1	
32	888-000000-00-00	FRONT BRACKET	1	
33	888-000000-00-00	REAR BRACKET	1	
34	888-000000-00-00	FRONT BRACKET	1	
35	888-000000-00-00	REAR BRACKET	1	
36	888-000000-00-00	FRONT BRACKET	1	
37	888-000000-00-00	REAR BRACKET	1	
38	888-000000-00-00	FRONT BRACKET	1	
39	888-000000-00-00	REAR BRACKET	1	
40	888-000000-00-00	FRONT BRACKET	1	
41	888-000000-00-00	REAR BRACKET	1	
42	888-000000-00-00	FRONT BRACKET	1	
43	888-000000-00-00	REAR BRACKET	1	
44	888-000000-00-00	FRONT BRACKET	1	
45	888-000000-00-00	REAR BRACKET	1	
46	888-000000-00-00	FRONT BRACKET	1	
47	888-000000-00-00	REAR BRACKET	1	
48	888-000000-00-00	FRONT BRACKET	1	
49	888-000000-00-00	REAR BRACKET	1	
50	888-000000-00-00	FRONT BRACKET	1	
51	888-000000-00-00	REAR BRACKET	1	
52	888-000000-00-00	FRONT BRACKET	1	
53	888-000000-00-00	REAR BRACKET	1	
54	888-000000-00-00	FRONT BRACKET	1	