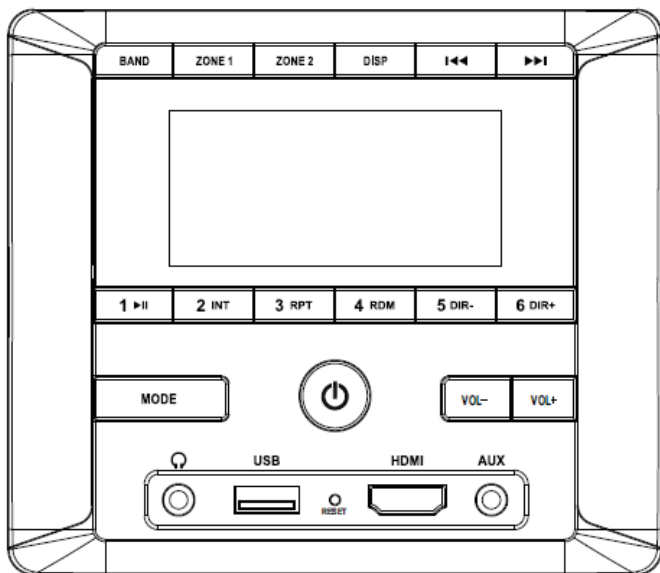


ILUMA

ILURV611

2-ZONE RV WALL MOUNT
DIGITAL MEDIA RECEIVER
FM / AM / RDS / BLUETOOTH / USB / HDMI



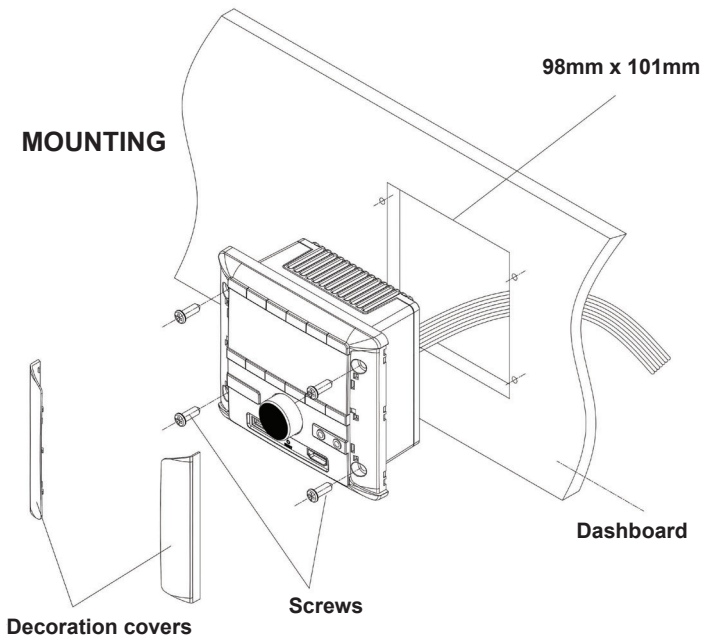
USER MANUAL

RULES OF INSTALLATION

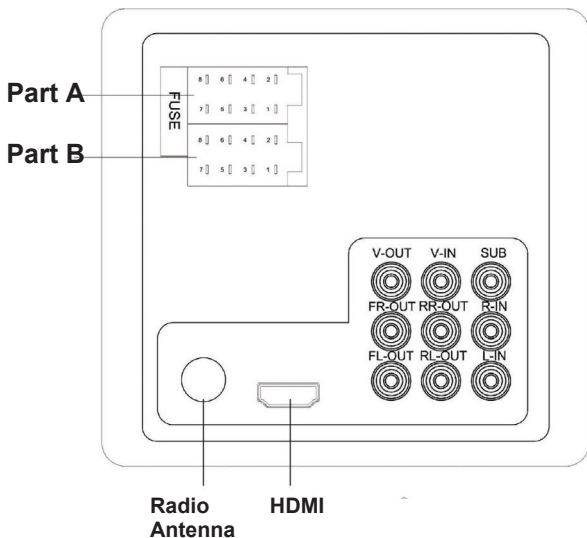
Please read the instruction manual carefully before installing the unit.

1. Make sure to connect & insulate any bare wires with electrical tape on the back of this head unit before turning ON.
2. For correct connections please follow the wiring diagram provided in this guide. Incorrect connections may cause irreparable damage to the unit and can possibly void your warranty.

INSTALLING THE UNIT

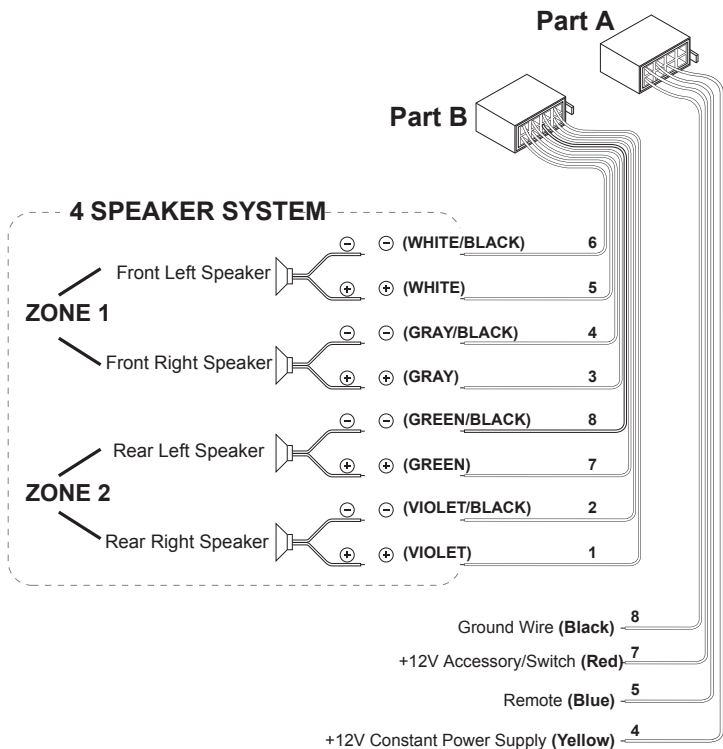


WIRING CONNECTION

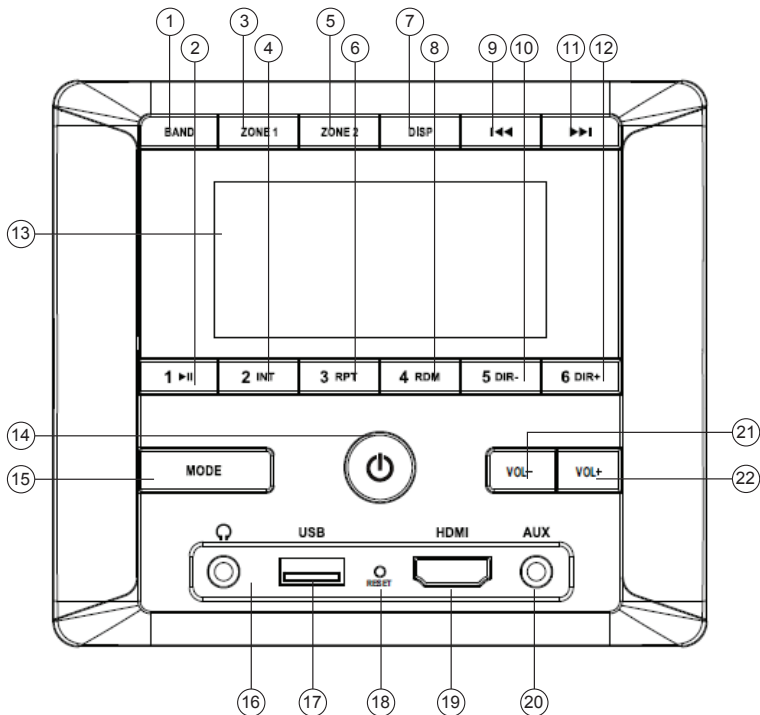


1. This unit is designed and built for 12V DC Only.
2. Do not connect the battery terminal until the unit is fully wired and any bare wires are fully insulated.
3. If the fuse on the rear of the unit requires changing please make sure the specifications are the same.
4. For best possibly performance use good quality speaker with 4-8 ohm rating
5. The HDMI Port at the front & back of the unit is a "PASS THROUGH" connection. For more info see specification section.

WIRING CONNECTION CONT.....



PANEL DESCRIPTION



1. Radio Band

2. Play / Pause

3. Zone 1 Control

4. Preset #2 / Search / Intro

5. Zone 2 Control

6. Preset #3 / Repeat

7. Display

8. Preset #4 / Random

9. Back / Backward

10. Preset #5 / Directory Down

11. Next / Forward

12. Preset #6 / Directory Up

13. LCD Display

14. Power

15. Mode

16. Headphone Jack

17. USB Port

18. Reset button

19. HDMI Input Port



20. AUX Input Jack

21. Volume DOWN


22. Volume UP

BASIC OPERATION

• TURN ON/OFF THE UNIT

Press  button to turn on the unit. When the unit is on, press and hold  button for 2 seconds to turn off the unit.

• SOUND AND SETTING ADJUSTMENT

Short Press the Power  button repeatedly to cycle BASS, TRE, BAL, EQ, LOUD, BEEP, P-VOL, DX, STEREO. To adjust and set each one of these settings short press the VOL- or VOL+ button.

• EQ: To select one of the preset EQ (FLAT / POP / ROCK / CLAS / OFF).

LOUD (on/off): Turn on/off the loudness function.

BEEP (on/off): Turn on/off the beep sound when the button was pressed.

P-VOL (Preset VOL): Set the start up volume. The start up volume will remain at the P-VOL value or below (turn off the unit at small volume).

• DX/LOC (Distance/Local):

LOC ON: Reduces the receiving sensitivity when searching for stations and limits your receiver to only stations with high strength broadcasting signals

LOC OFF: Increases the receiving sensitivity when searching for stations allowing you to receive more stations from everywhere.

• STEREO/MONO:

STEREO: Receiving FM stereo signal.

MONO: : Change to monophonic sound when the signal is not as strong.

MONO Mode will reduce the noise coming from the signal.

BASIC OPERATION Cont...

• RESET THE UNIT

Press RESET button to restore all the data to factory settings.
(Note: all memories will be lost.)

• ZONE 1 AND ZONE 2 OPERATION

Press Zone 1 or Zone 2 to enable audio from those respective zones.
Once a Zone is selected Press the VOL+/- button to control volume in those respective zones.

Once the desired volume level is found in each zone, the unit will automatically play them both together. Press and hold the Zone 1 or Zone 2 button to mute sound from the corresponding zone.

• INFORMATION OR CLOCK PRIORITY

Shortly press DISP button to change the clock priority or information priority.

• CLOCK SETTING

Press and hold DISP button for 2 seconds. The "HH" will be flashing. Press the VOL+/- button to set the hour. Press (⏸) button(or DISP) button the "MM" will be flashing. Press the VOL+/- button to set the minute. Then press MENU (or DISP) button to exit.

• HEAD PHONE OPERATION

There is a 3.5mm headphone jack in the front panel. It is following the zone 1's volume.

RADIO OPERATION

• RECEIVE A RADIO STATION

Press the MODE button to select radio mode. Then press the BAND button to select the desired band. Short the ►► / ◀◀ button to auto seek the desired radio station. Press and Hold the ►► / ◀◀ button to manually tune the frequency.

• MANUALLY STORE STATION & RECALL PRESET STATION

Receiving a desired station. Press and hold one of the preset button (1~6) for 2 seconds. The current station is stored into the number button. Shortly press the preset button (1~6) to directly listen the station that saved in the corresponding preset button.

• AUTO STORE STATION

Press and hold BAND button for 2 seconds to auto store stations to numeric buttons 1-6 of band 1~3.

USB OPERATION

When an USB drive is inserted to the unit, the unit will play the MP3/WMA file automatically. If an USB drive is already inserted in the unit. Keep pressing MODE button shortly until the USB mode display appears.

• SELECT FILE

Press ►► / ◀◀ button to skip to next/previous file.
Hold ►► / ◀◀ button to fast forward or fast reverse.

• PLAY/PAUSE

Press ►|| button to pause/play the file.

• INTRO PLAYING

Shortly press 2/INT button to play first 10 seconds of each file. Press again to stop this function.

• REPEAT FUNCTION

Press RPT button to select RPT mode.
RPT FOLD: Repeat all files of the current folder.
RPT ONE: Repeat the same file.
RPT ALL: Repeat all files (default).

• RANDOM

Press the RDM button to turn the random playing function on/off

• DIRECTORY +/- FUNCTION

Press the DIR+/DIR- button to play the next / previous folder.

• +10/-10 SKIP FUNCTION

Press the DIR+/DIR- button to skip 10 files forward/backward.

• SEARCH SONG

Press BAND button. It shows NUM 0000. Press VOL+/- button (or directly enter number) to select the numbers then press POWER button to confirm.

Please note the 7/8/9/0 as: MODE=7, I<=<=8, >>I=9, DISP=0.

AUX IN 1/2 OPERATION

AUX IN 1 is for front panel 3.5mm jack. AUX IN 2 is for rear RCA connectors. Press the MODE button to switch between AUX IN 1/2 source when connecting an audio signal to the unit.

HDMI OPERATION

The front HDMI port goes through the rear HDMI. So any operation on the radio will not affect the HDMI video playback, to amplify the audio of the HDMI source you must use the audio output of the television and connect it to the rear AUX audio input of the radio.

BT OPERATION

• PAIRING

On mobile phone, select the BT item searching the BT device. "ILURV611" should appear in the list, select "ILURV611" and then input password "0000" If it needs a password. When successful paired, the BT mark will be displayed on LCD.

• BT AUDIO

Press MODE button to switch to BT MUSIC mode. It will play a song of your mobile phone automatically. Press ►|| key to pause/play the song. Press ►|/◀◀ button to select next/previous song.

• DISCONNECT THE BT

When the mobile phone paired with the unit.

In any source, Press and hold MODE button to disconnect the BT. Press and hold MODE button again to connect the BT.

SYMPTOM	CAUSE	SOLUTION
No power.	The car ignition switch is not on.	If the power supply is connected to the car accessory circuits, but the engine is not moving, switch the ignition key to "ACC".
	The fuse is blown.	Replace the fuse
No sound.	Volume is in minimum.	Adjust volume to a desired level.
The operation	The built-in microcomputer is not operating properly due to noise.	Press the reset button.
The radio does not Work.	The antenna cable is not connected.	Insert the antenna cable firmly.
The radio station automatic selection does not work	The signals are too weak.	Select a station manually.
The phone plays the music or sound from the device and cannot be heard on the unit.	Unit paired with another device.	1) Turn off the BT function of the other device. 2) Exit APP and turn on APP again.

SPECIFICATIONS

GENERAL

Rated Power Source:	14.4V DC (11V to 16V operation)
Rated Power Source:	10 Amp
Dimensions (W x H x D)	
Chassis	97mm x 100mm x 46.5mm
Bezel frame	130mm x 112mm x 17mm
Weight:	14.2Oz / 403 grams

DISPLAY

Screen Size:	2.75 inch / 66 x 31mm
Display Type:	VA LCD

AUDIO

Maximum Power Output	50W X 4 Ch @ 4 ohms (14.4v)
Continuous Power Output	17W x 4 Ch @ 4 ohms (14.4v)
Pre-output Level:	Zone 1/2: 2.5 Volts / Subwoofer: 4 Volts (14.4v)
Equalizer:	2 bands (Bass: 100Hz, Treble: 10KHz)
Preset EQ:	Flat / Rock / Pop / Classic
Audio Control	Volume/Balance/Loudness/Bass/Treble/Zone Volume
Signal to Noise Ratio:	>60dB
THD:	<0.3%
Frequency Response:	20Hz – 20KHz

TUNER **FM** **AM**

Frequency Range:	87.5 ~ 108 MHz	522 ~ 1710 kHz
IF:	10.7 MHz	450 KHz
Sensitivity:	4uV (S/N=30dB)	36dBuV (S/N=20dB)
Stereo Separation:	>25dB	N/A
Presets Memory:	18 Stations (FM)	12 Stations (AM)
Region:	North America "USA" and Europe	
Sensitivity Adjustment:	LOC/DX & ST/Mono	

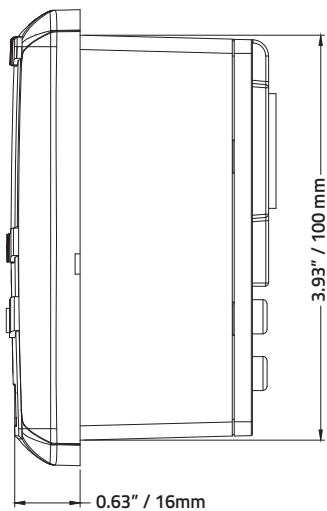
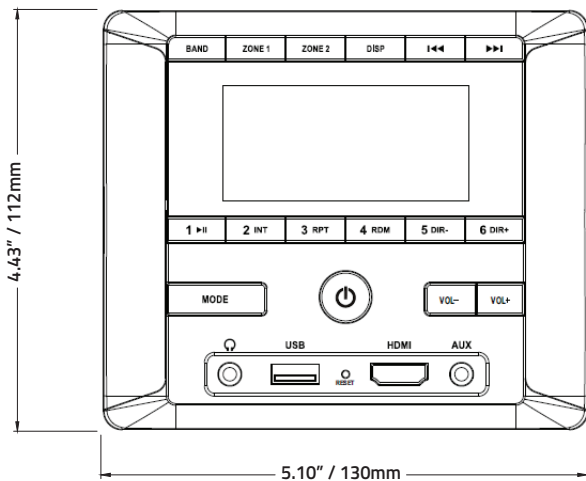
USB PLAYER

Type / Class	V1.1/V2.0/MSC/MTP/FAT16/FAT32/NTFS
Format Files Supported	MP3, WMA, FLAC, MAV
Info Display Format	ID3 Tag
Memory Size Reader:	up to 64 Gb
Max Current Supply	1.5 Amp (Charging USB port)
Number of USB Ports	1 x Front (Audio / Charging)

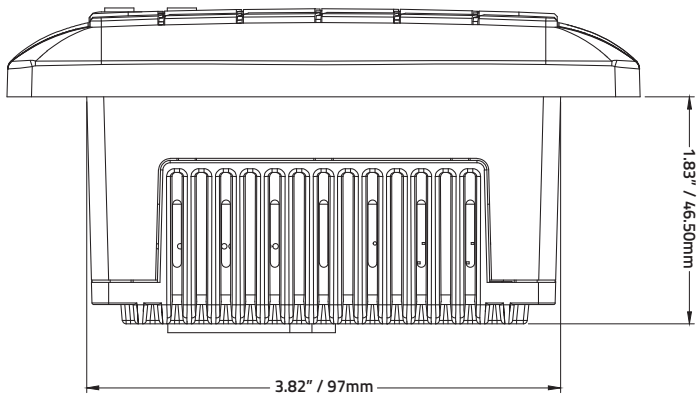
CONNECTIVITY

BT Version / Services:	V5.0 / Audio Streaming
Audio Protocol	A2DP
Aux Input	Front 3.5mm Jack Stereo Audio/Rear RCA A/V
Headphone:	Front 3.5mm Jack Stereo
HDMI:	Rear Output (To HDTV)/Front Input (From Source)

MEASUREMENTS



MEASUREMENTS



SAFETY INFORMATION

Do not use a chemical substance, cleaning solvent or cleaner to clean the product, please use a moist soft cloth if you would like to clean the product.

WARRANTY

Your stereo system is warranted to be free from defects in materials and workmanship for a period of 12 months from the date of purchase. During this period, if the product is found to be defective, we will repair or replace it at no charge, subject to the terms and conditions outlined in this warranty guide.

What Will Void Your Warranty

The warranty will be voided under the following circumstances:

1. Unauthorized Modifications or Repairs.

Any modifications, alterations, or repairs performed by anyone other than an authorized service center will void the warranty. This includes but is not limited to:

- Modifying the wiring, internal components, or external housing.
- Installing non-standard or third-party parts that are not approved by the manufacturer.
- Any attempt to disassemble or reassemble the stereo system.

2. Improper Installation.

Warranty will not cover damage resulting from incorrect installation, such as:

- Failure to follow the installation instructions provided in the manual.
- Incorrect wiring or failure to use the appropriate power and ground cables.

3. Physical Damage.

Damage resulting from misuse, neglect, or external forces will void the warranty, including:

- Damage caused by dropping, impact, or external objects.
- Exposure to moisture, extreme temperatures, or corrosive environments.
- Scratches, cracks, or other damage to the display or casing.

WARRANTY Cont...

4. Misuse or Abuse.

The warranty does not cover issues arising from improper use, including:

- Using the system for applications it wasn't designed for.
- Overpowering the unit beyond its rated specifications.
- Failure to properly maintain the system (e.g., not securing loose wires).

5. Environmental Factors.

Damage due to exposure to environmental factors such as water, humidity, sand, dust, or chemicals will void the warranty. The stereo system is designed for normal in-vehicle use and should be protected from harsh environmental conditions.

6. Proof of Purchase.

Warranty claims must be accompanied by valid proof of purchase. If you cannot provide proof of purchase, the warranty may be void.

CONTACT US



(03) 9305 1555



info@caravanandcampingaus.com



www.caravanandcampingaus.com



1831 Sydney Rd, Campbellfield, VIC 3061