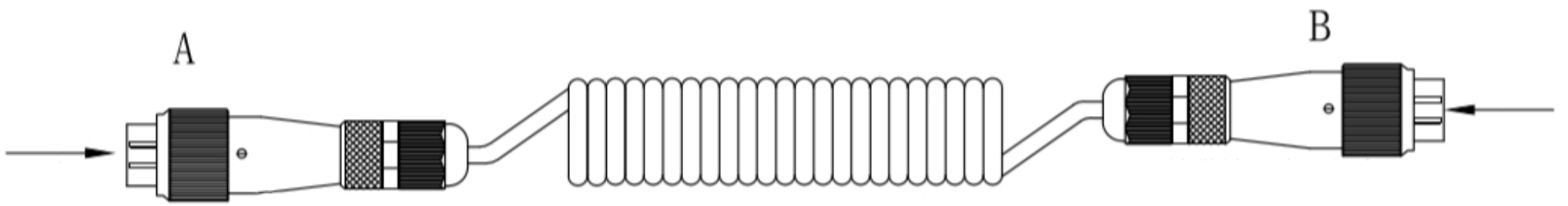
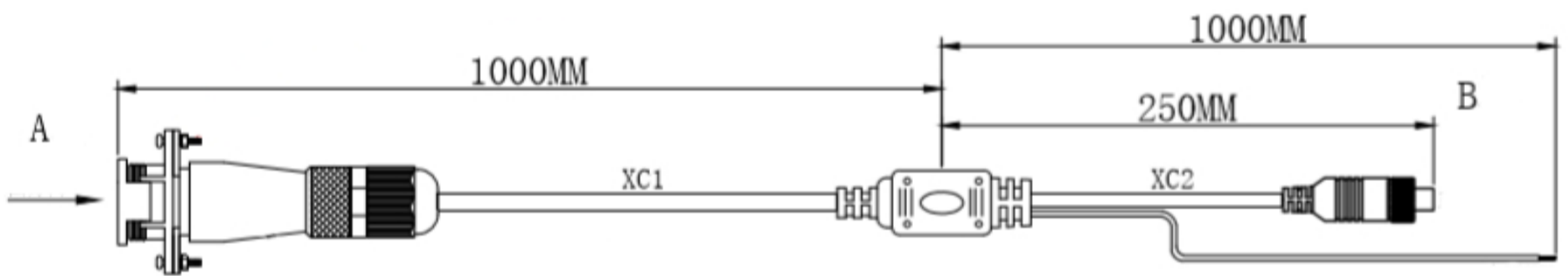
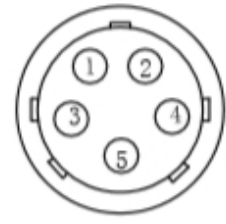


# PROLINK 2



## 5 PIN

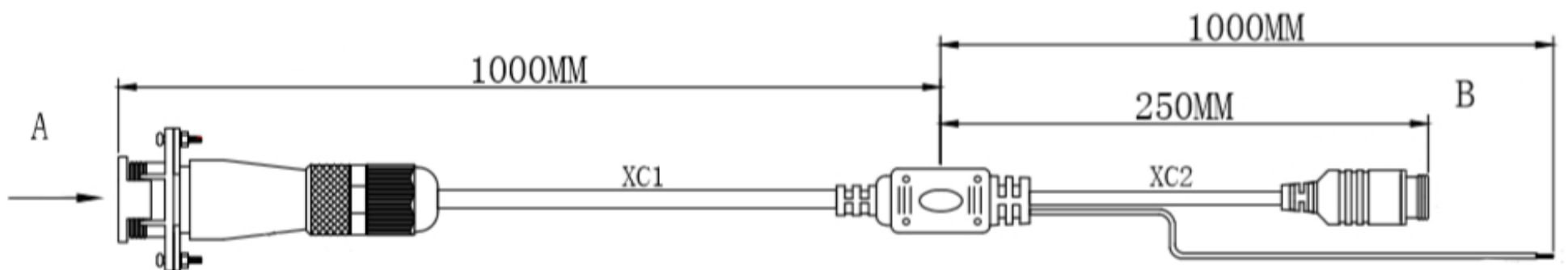
A1.....Power+	B1.....Power+
A2.....GND	B2.....GND
A3.....Audio Signal	B3.....Audio Signal
A4.....Video Signal	B4.....Video Signal
A5.....Trigger	B5.....Trigger



## 5 PIN

## 4 PIN

A1.....Power+	B1.....Power+
A2.....GND	B2.....GND
A3.....Audio Signal	B3.....Audio Signal
A4.....Video Signal	B4.....Video Signal
A5.....Trigger	



## 5 PIN

## 4 PIN

A1.....Power+	B1.....Power+
A2.....GND	B2.....GND
A3.....Audio Signal	B3.....Audio Signal
A4.....Video Signal	B4.....Video Signal
A5.....Trigger	

