

GATOR

TRADE series



GT430EM
OEM REPLACEMENT
4.3" MIRROR MONITOR

USER MANUAL



01 Introduction

Thank you for purchasing the Gator GT430EM. Please ensure that you have read the product manual and instructions in full, prior to installation and use. Failure to do so may result in product failure/damage or incorrect operation and therefore impact the product performance.

02 Product overview

The Gator GT430EM is a compliant certified OEM replacement mirror monitor, which can be used as a stand alone mirror or with a reverse camera to provide a display when reversing.

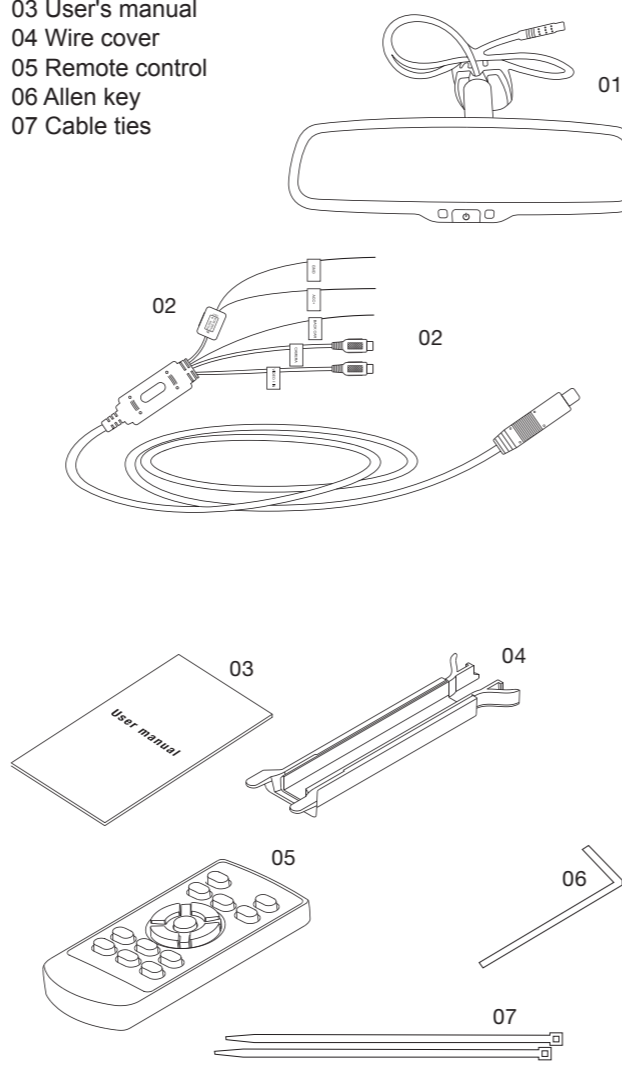
03 Product features

- 4.3"16:9 High-resolution TFT display
- Reverse camera compatible
- Automatic brightness adjustment
- Anti-glare/Auto mirror dimming (Patented)
- Compliance certified OEM replacement mirror
- Universal mounting bracket suits most vehicles
- Adjustable guide lines
- Signal System: PAL / Auto / NTSC
- Aspect Resolution 480(H) X 272(V)
- Dual inputs for use with Gator reverse cameras or other devices (sold separately)
- Dimensions 80(H) x 45(W) x 267mm(L)

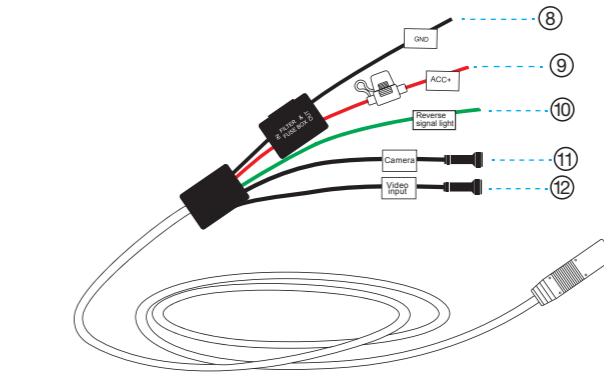
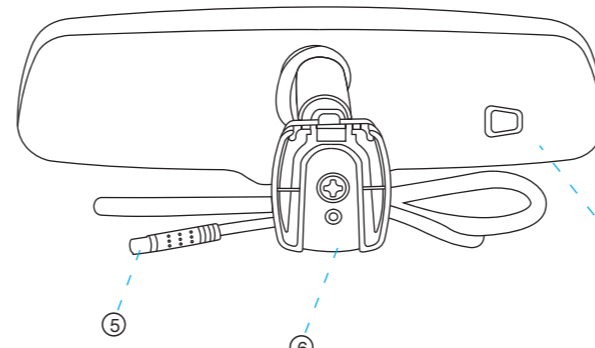
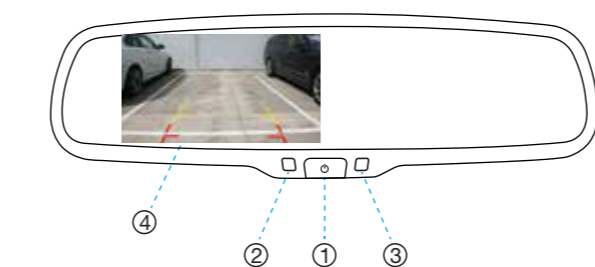
04 Package components

The following accessories are included

- 01 Mirror/Monitor
- 02 Wiring harness
- 03 User's manual
- 04 Wire cover
- 05 Remote control
- 06 Allen key
- 07 Cable ties



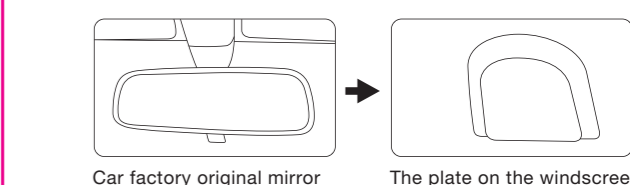
05 Product structure



| | |
|----|---|
| 1 | Power button short press: turn the screen on/off |
| 2 | Front light sensor |
| 3 | Indicator-flashes green when reversing |
| 4 | 4.3"16:9 High-resolution TFT display |
| 5 | DIN connector |
| 6 | Mounting bracket |
| 7 | Rear light sensor |
| 8 | Black to GND |
| 9 | Red to ignition +12V |
| 10 | Green to reverse signal light |
| 11 | Reverse camera input (optional) |
| 12 | Secondary video input (optional) |

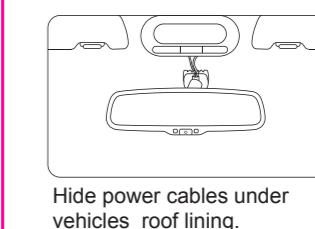
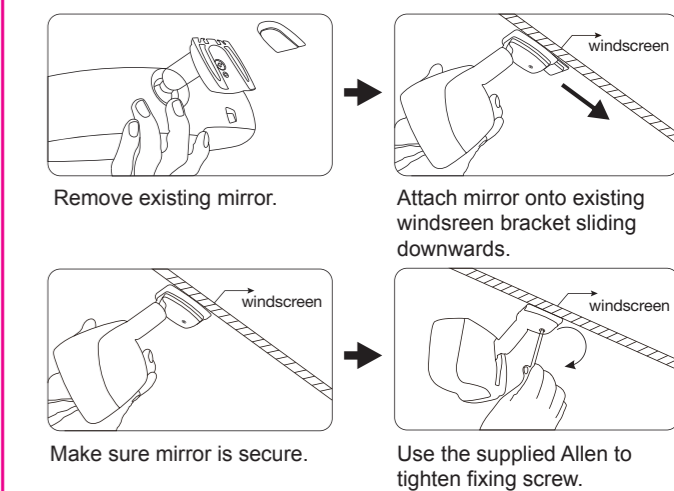
06 Mirror Installation

1.Remove the original mirror



Different cars have different brackets for mounting. It depends on your vehicle maker and manufacturer. There are many methods to remove the original rear view mirror, however, please do not force the mirror off the bracket. The manufacturer will not be responsible for damage caused to your car by wrong installation of the GT430EM.

2.Install mirror monitor on the plate

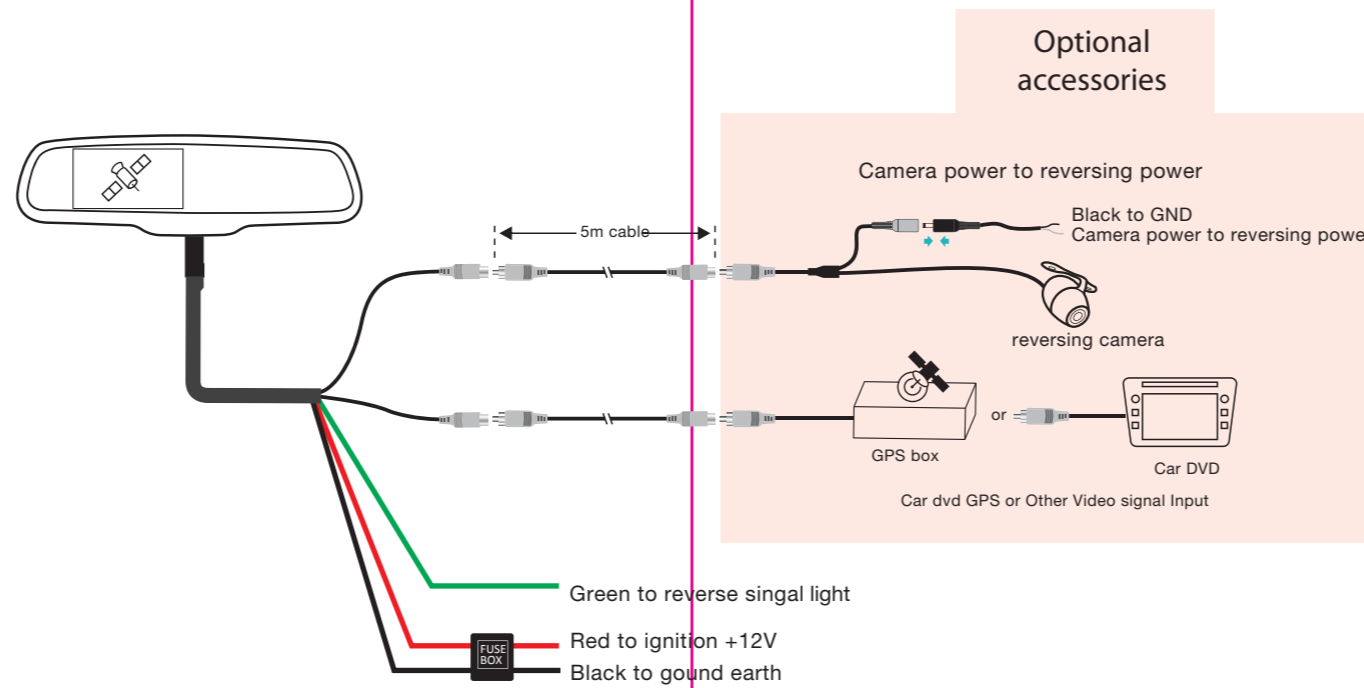


07 Wiring Installation

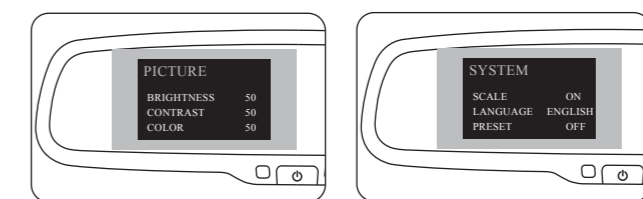
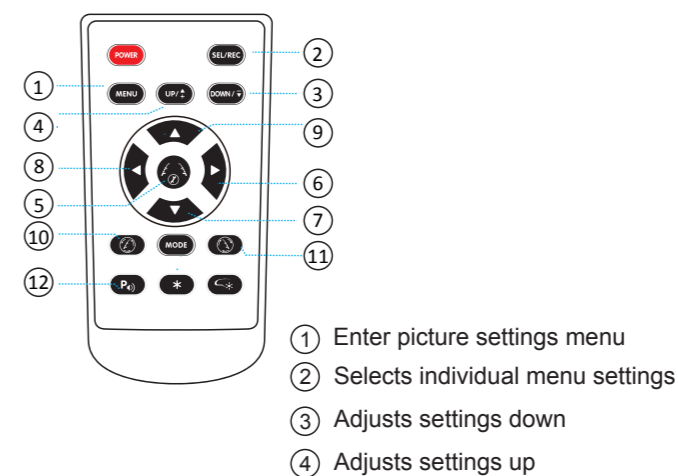
If the GT430EM does not fit onto your factory windscreen mount, adapter mounting brackets for other vehicles can be purchased separately through the Gator website.
<http://gatordriverassist.com/products/accessories>



07 Wiring Installation



08 Remote control & menu settings



Press the Menu button to access picture functions
- Brightness: Adjusts screen brightness (0 - 40)
- Contrast: Adjusts screen contrast (0 - 40)
- Colour: Adjusts screen colour (0 - 40)
- Night Bright: Adjusts brightness (0 - 40)

Press the Menu button twice to access system settings
- Scale (turns guide lines ON/OFF)
- Language (to change language)
- Preset (ON/OFF)

Press the Menu button three times to access settings
- Dimming darkness

Press the Menu again to exit settings

09 Remote control functions for reverse camera

When in reverse mode.

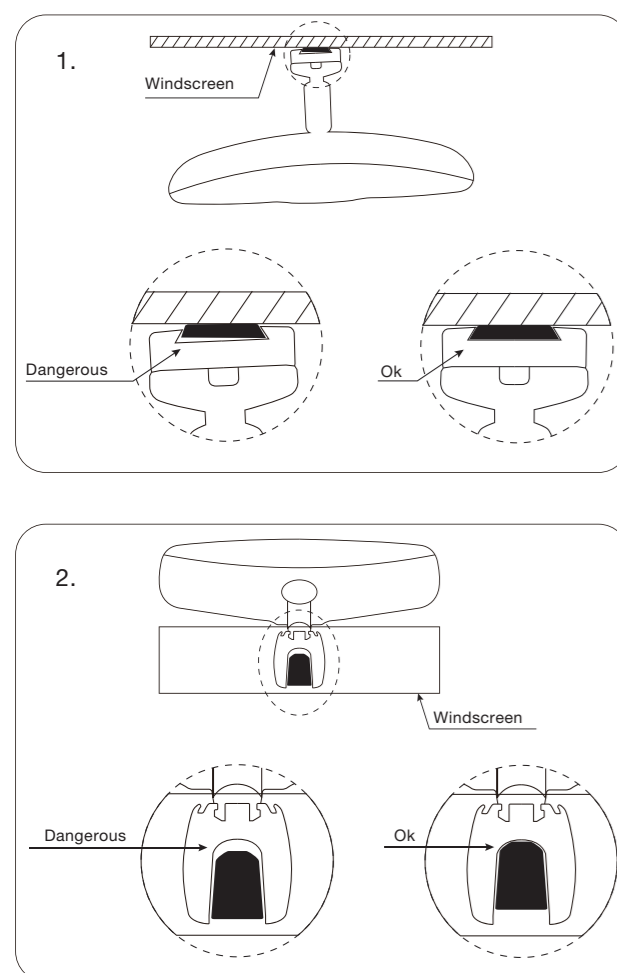
- 5 Enter guide line adjustment, press again to switch between left and right guide line
- 6 Moves guide line right
- 7 Moves guide line down
- 8 Moves guide line left
- 9 Moves guide line up
- 10 Guide line anti-clockwise
- 11 Guide line clockwise
- 12 Factory auto mirror dimming test. This tests the screens brightness. Green indicator will flash for 30 mins until finished.

NOTE:

To exit guide line setup in reverse mode, put vehicle into neutral

NOTE: Always use caution, DO NOT force the mount. We will not be responsible for broken windcreens. If you are not sure how to remove or re-install the mirror seek trained, qualified help.

CAUTION!



10 Button battery warning

WARNING: BATTERIES ARE HAZARDOUS (NEW OR USED), KEEP BATTERIES OUT OF REACH OF CHILDREN.

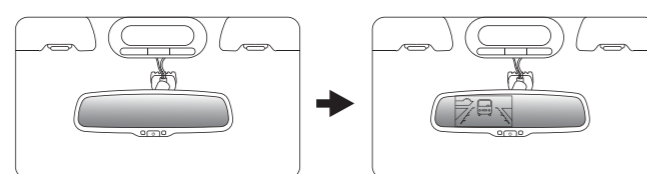
This product contains button / coin cell batteries which are hazardous whether new or used. Batteries can cause severe or fatal injuries in 2 hours or less if swallowed or placed inside any part of the body. Medical attention should be sought immediately if it is suspected the battery has been swallowed or placed inside any part of the body.

WARNING - KEEP BATTERIES OUT OF REACH OF CHILDREN

- This product contains button/coin batteries which are hazardous whether new or used.
- Battery can cause severe or fatal injuries in 2 hours or less if it is swallowed or placed inside any part of the body.
- If it is suspected a button/coin battery has been swallowed or otherwise placed inside any part of the body, a person should contact the Australian Poisons Information Centre on 13 11 26 immediately for 24/7 fast, expert advice.
- Examine devices and make sure the battery compartment is correctly secured, e.g. that the screw or other mechanical fastener is tightened. Do not use if compartment is not secure.
- Dispose of used button batteries immediately and safely. Flat batteries can still be dangerous. Check local government guidelines for up to date battery disposal guidelines. Tell others about the risk associated with button batteries and how to keep their children safe.

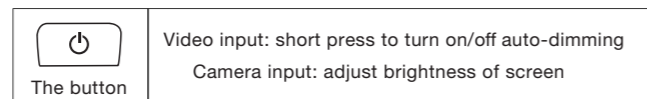
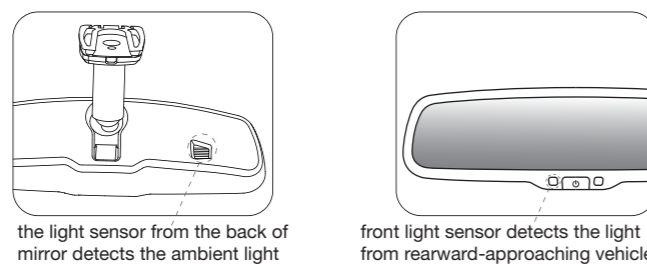
11 Reverse camera display

When the car is in reverse, the GT430EM will automatically display the rearview camera



12 Auto brightness adjustment

The brightness of the GT430EM changes automatically with ambient light, allowing the driver get a clear and comfortable view.

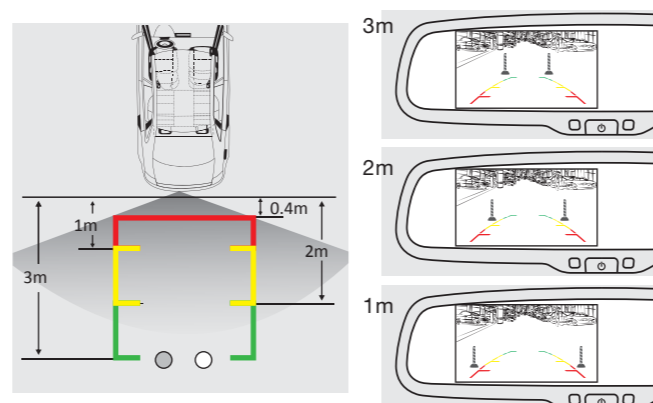


The button: Video input: short press to turn on/off auto-dimming
Camera input: adjust brightness of screen

13 Adjusting guide lines

Guide line introduction

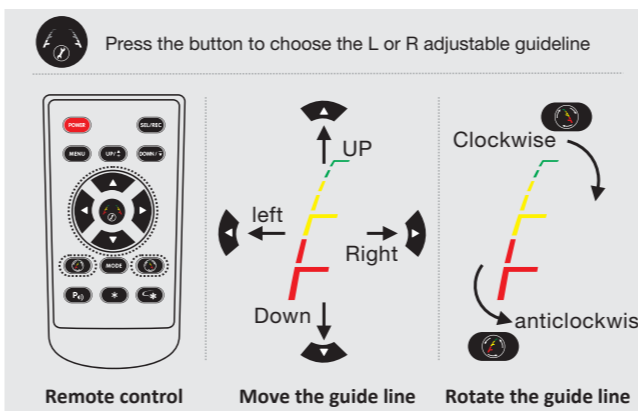
Generally, to help drivers estimate the distance from obstacles, there are three lines for reference -red, yellow and green. Those lines are displayed on the monitor when reversing. The green line distance is 3 away from the camera. The yellow line is 2 away from the camera. The red line is 0.4m away from the camera.



How to adjust the guide lines

When the vehicle has engaged reverse the guidelines can be adjusted manually to allow for more accuracy. A reference object can be placed behind the vehicle and it's distance can be accurately measured with a tape measure. The adjustment can then be made with the guidelines to correspond with the reference object. Press setting button (1) to enter "guide line adjustment" mode. The system default is to adjust the left guide line first, press the (2) button again to adjust the right guide line. Use the up/down/left/right buttons to adjust the corresponding location of the guidelines. The clockwise rotation (3) and counter rotation (4) buttons adjust the angles of the guidelines. On the top of the display will be the X and Y axis for the left and right guide.

Once adjustments have been made the GT430EM will remember the settings once reverse is disengaged. Caution: Keep the remote control 0.5m-1.0m from GT430EM when you use the remote to adjust the parking lines.



Guide lines are designed to assist with parking and judging distances, but should not be relied on solely when reversing.

Gator has a range of reverse camera models suited for this model GT430EM. The range features models that come with and without parking lines. Note if purchasing a model that has permanent parking lines then this takes precedent over the GT430EM guide lines. Models with the option to turn off parking lines are the Gator G30CL and the G45CL

14 Safety information & warnings

• Do not use the GT430EM in damp working conditions; the GT430EM is not waterproof

• Do not try opening the shell or trying to repair the GT430EM by yourself. If the accessories for the GT430EM have any problems, please take it to an authorised repair agent for repair.

• Do not use a chemical substance, cleaning solvent or cleaner to clean the GT430EM, please use a moist soft cloth if you would like to clean the GT430EM.

• Do not use the GT430EM under conditions where dust is present.

• Please pay attention to cleaning the mirror surface, use a moist soft cloth for cleaning.

15 Infringement of copyright warning

Please note that this product is for personal use only, the method of use shall not violate the goods infringe on domestic or international copyright laws. Even recorded images for personal use only, please note that in some cases to use this product to record performances, exhibitions or business activities of the images may infringe the copyright or other legal rights and interests of others.

16 Technical assistance

If you need assistance setting up or using your Gator product now or in the future, call Gator Support, Australia

TEL: 03 - 8587 8898

FAX: 03 - 8587 8866

Mon-Fri 9am - 5pm AEST

Please retain this user guide for future reference.

If you would like to download a digital copy of this manual, or other Gator manuals/software, please visit the <http://gatordriverassist.com> website and click on "Firmware & Manuals" for information on where to find the manuals/software.

This manual is considered correct at time of printing but is subject to change. For latest manuals and updates refer to the website.

Copyright © 2017 by TDJ Australia
All rights reserved. No part of this publication may be reproduced, distributed, or transmitted in any form or by any means, including photocopying, recording, copying or other electronic or mechanical methods, without the prior written permission of the author.



IE13 10R-03 12762