



GRV92MKT

USER MANUAL



For more information
on the Gator range
go to our website

gatordriverassist.com 

INCLUSIONS:

Mirror Monitor, Heavy Duty Camera, Butterfly Camera, Camera Lead,
Camera Lead With Trigger Wire, 12/24V Car Charger & Mounting Hardware

Introduction

Thank you for purchasing the Gator GRV92MKT Mirror Monitor. This product is a dual camera parking aid. Please ensure that you have read the product manual and instructions in full, prior to installation and use. Failure to do so may result in product failure/damage or incorrect operation and therefore impact the product performance.

ATTENTION: The Mirror Monitor must be connected to power when in use. The internal battery only holds date and time settings.

Product features

- 9.35" High-resolution LCD touch screen mirror monitor
- Screen resolution 1280*320 pixels
- Dual camera input
- Camera resolution 1920*1080P
- 100 Degree wide angle lens surface mount camera
- 100 Degree heavy duty wide angle lens surface mount camera
- Live streaming functionality
- Parking guide lines
- 400mAh 3.7V Rechargeable battery (For date & time)
- Rubber clip-on mount
- 12/24V DC car adapter (3.5M length)
- Butterfly camera (including 5.4m camera extension cable)
- Heavy duty camera (including 2 x10m camera extension cable with trigger wire for reversing guidelines)
- Dimensions 72(H) x 18(W) x 260mm(L)

Table of contents

Introduction.....	2
Product features.....	2
Table of contents.....	3
Package components.....	4
Product structure.....	5
Installation of Mirror Monitor.....	6
Hard wiring kit.....	7
Touch screen functions.....	8
Settings.....	9
Reversing guide lines.....	10
Product specifications.....	10
Troubleshooting guide.....	11
Safety information & warnings.....	11
Technical assistance.....	12

Package components



GRV92MKT
Mirror Monitor



Heavy duty Camera



Butterfly Camera



Camera Lead



Camera Lead
with Trigger Wire



12/24V charging adapter

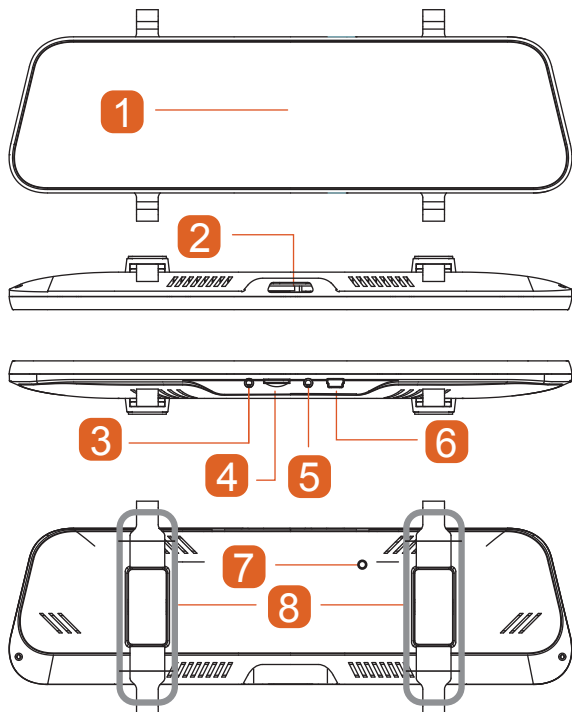


Mounting screws &
3M adhesive
for butterfly camera



Mirror protector pads &
rubber mounting clips

Product structure

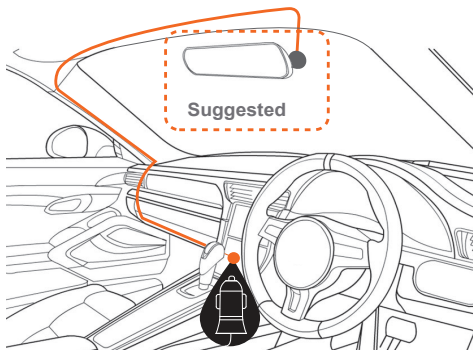


- 1) LCD touch screen
- 2) Power button
- 3) Butterfly camera input
- 4) Micro SD card slot (Not for recording, only updating firmware)

- 5) Heavy duty camera input with trigger wire (Guidelines)
- 6) Power input (Mini USB)
- 7) Reset hole
- 8) Mounting clip-on system

Installation of the Mirror Monitor

1. Clip on mirror design securely mounts on the existing rear view mirror in the vehicle by stretching the bands at the back over the hooks on the monitor. There are two positions based on thickness of existing mirror.
2. Insert power cable into the power input of the Mirror Monitor. Connect the DC charging end of the power cable into the 12-24V power socket of your vehicle. Hide the cable as pictured below.
3. Connect the cameras to the inputs on the mirror. Test the cameras are working correctly and orientation before running the cables and securing the camera mounts to your vehicle.
4. Attach the red trigger wire to the reverse light of you vehicle to engage parking guide lines when vehicle is put into reverse gear.
5. Turn vehicles ignition on, and the Mirror Monitor will automatically start streaming.
6. To switch between the two cameras, slide your finger left to right on the screen.
7. For the Mirror Monitor to work it must receive power from the charging adapter.



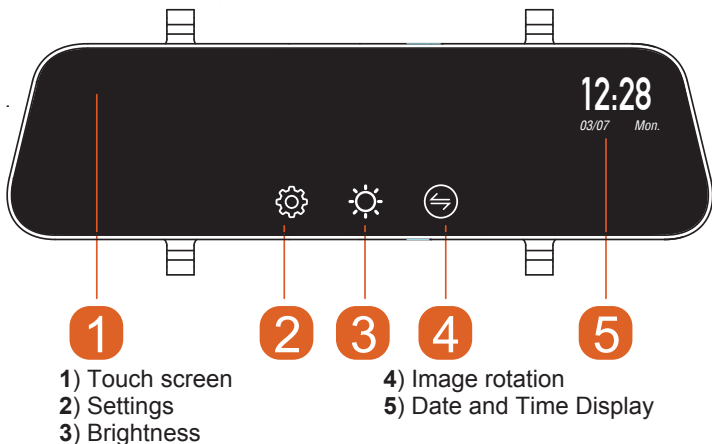
Hard wiring kit GUNIHWC (Sold separately)

This can be purchased from your retailer to hard wire your Mirror Monitor to your vehicle. A 3 Metre extension cable is also available separately.



NOTE: The GUNIHWC Hardwire Kit is a simple plug and play solution to hardwire any Mirror Monitor or device using Mini or Micro USB for power. The Hardwire Kit is compatible with 12V/24V DC for car or truck installations. Please ensure that you have read the product manual and instructions in full, prior to installation and use. Failure to do so may result in product failure/damage or incorrect operation and therefore impact the product performance.

Touch screen functions



Long press the power button to turn the Mirror Monitor ON/OFF.

Short press the power button whilst live-view streaming to turn the display off.

Touch the settings icon to enter system settings.

Touch the brightness icon to adjust screen brightness UP or DOWN.

To rotate the image on screen, touch the Image rotation icon.

To switch between camera views, slide your finger across the screen.

Settings

Touch settings icon to enter video settings. Select function and select settings to make changes. Touch arrow icon to exit the function.

Function	Description
Clock Settings	Date/Time
Clock Display	On/Off
Language	English/Simplified Chinese/ Traditional Chinese/French
LCD Power Save	Off,5,10 Sec /1 Min (Screen display time)
Beep	On/Off
Volume	+/-
Flicker	50/60 Hz
Reset Setup	Yes/No (All settings will be deleted)
FW Version	Firmware version

Reversing guide lines

When triggered, the reversing guide lines only assist a driver with backing into a parking space or aligning with an object behind the vehicle. They do not measure distance. You should always get out of the vehicle and visually check the distance to aid the driver when using guide lines.

Product specifications

Display	9.35" High-resolution LCD touch screen
Color	Black
Display Resolution	1280*320
Camera Resolution	1920*1080
Frequency	50HZ/60HZ
CPU	Mstar8336
Cameras	Surface mount
Viewing Angle	100 Degree wide angle lens
Viewing Angle	100 Degree wide angle lens
OSD Language	English/Chinese/French
Battery	400mAh 3.7V Rechargeable battery
Car charger	DC input: 12-24V, output: 5V
Dimensions	72*18*260mm (H*W*L)

Troubleshooting guide

If there are problems with the device, please refer to the following methods to resolve.

Fuzzy/dirty image?

Make sure to peel off the transparent protective sticker on the front of the Mirror Monitor's lens.

The Mirror Monitor is jammed or not responding?

Reset the device by pressing the reset button located on the rear of the mirror

Safety information & warnings

- Do not use the Mirror Monitor in damp working conditions; the Mirror Monitor is not waterproof.
- Do not try opening the shell or trying to repair the Mirror Monitor by yourself. If the accessories for the Mirror Monitor have any problems, please take it to an authorised repair agent for repair.
- Do not use a chemical substance, cleaning solvent or cleaner to clean the Mirror Monitor, please use a moist soft cloth if you would like to clean the Mirror Monitor.
- Do not use the Mirror Monitor under conditions where dust is present.
- Please pay attention to cleaning the lens surface, use a moist soft cloth to clean the lens before use, to avoid poor streaming image.

Technical assistance

If you need assistance setting up or using your Gator product now or in the future, call Gator Support. Australia

TEL: 03 – 8587 8898

FAX: 03 – 8587 8866

Mon-Fri 9am – 5pm AEST

Please retain this user guide for future reference.

If you would like to download a digital copy of this manual, or other Gator manuals/software, please visit the gatordriverassist.com website and click on ‘Firmware & Manuals’ or search for the product model number for more information, accessories and products.

This manual is considered correct at time of printing but is subject to change. For latest manuals and updates refer to the website.

Copyright © 2017 by TDJ Australia

All rights reserved. No part of this publication may be reproduced, distributed, or transmitted in any form or by any means, including photocopying, recording, copying or other electronic or mechanical methods, without the prior written permission of the author.

www.gatordriverassist.com