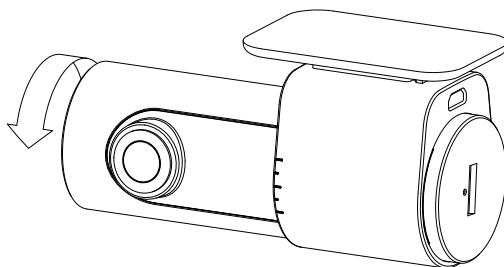
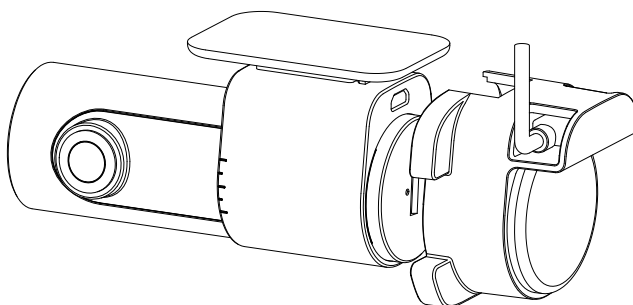


Installation

1. Rotate the barrel of the DVR lens is facing the inside of the cabin

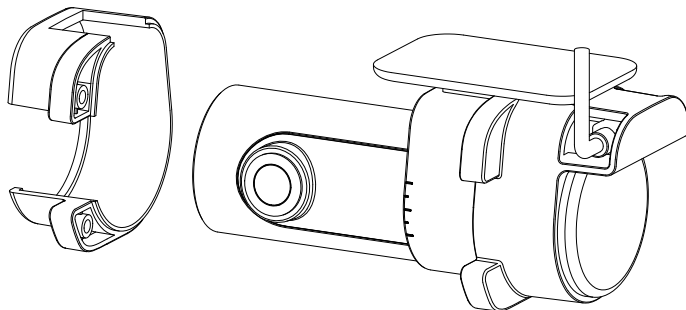


2. Feed the power cable/cables through the GLOCKBOX1 and slide it in place and plug in the cables into the DVR



Installation

3. Slide the second case of the GLOCKBOX1 onto the DVR and clamp both pieces in place



4. Screw the 2 security screws to secure the part using the provided key and rotate the DVR back back to the correct viewing angle

