



**G390 Rear View Monitor +
Butterfly Reversing Camera
Instruction Manual**

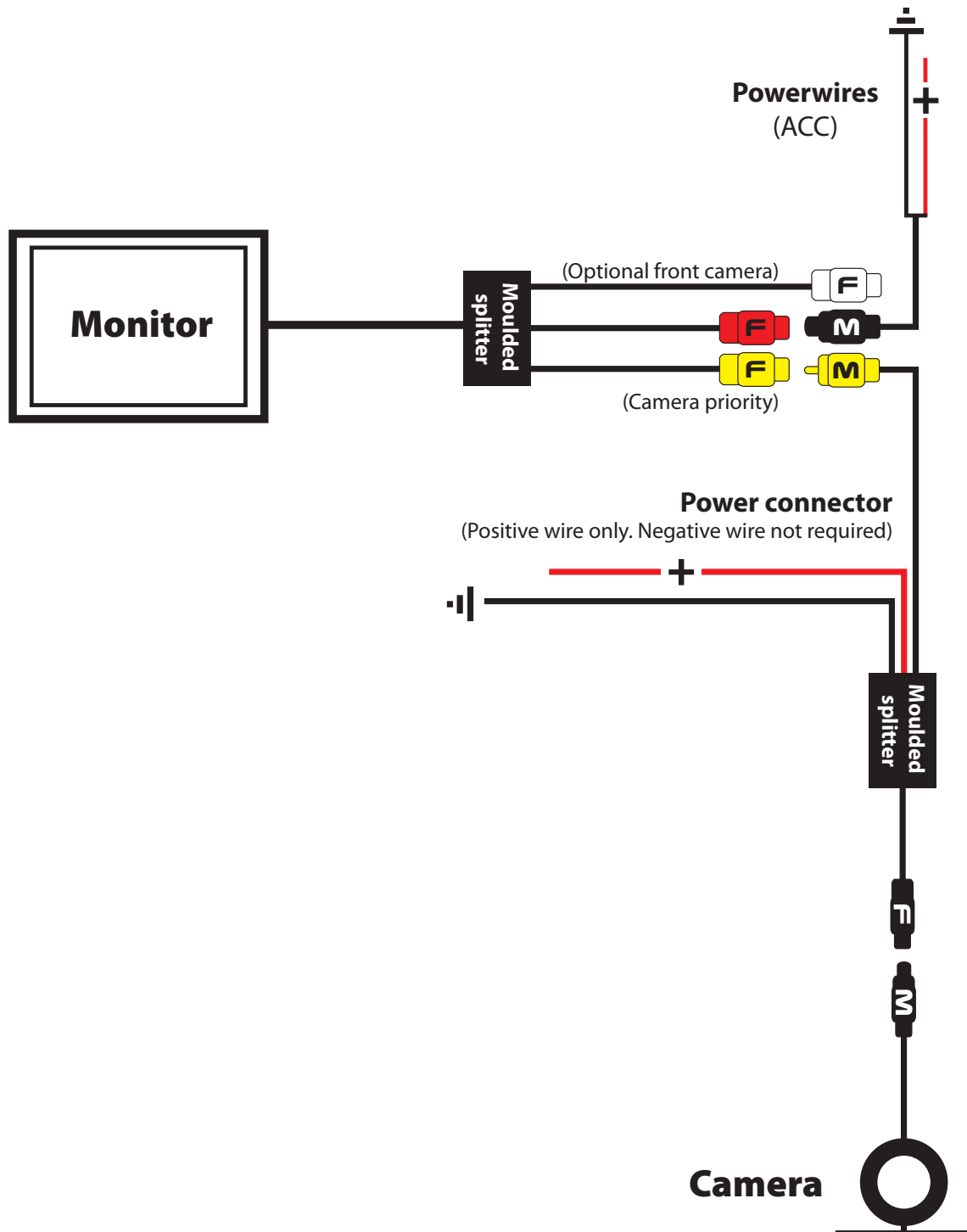


INTRODUCTION

Thank you for purchasing the Gator G390 Rear View Monitor + Butterfly Reversing Camera. This product is designed to provide you the driver with a rear view image whilst reversing your vehicle. Please read the manual carefully before installation and operation.

INSTALLATION:

The video signal is transferred from the camera to the monitor via an RCA cable that will need to be run from the boot through the passenger compartment to the monitors wired loom run under the dash. From there the power and video signals are sent directly to the monitor. At the rear of the car the camera is powered directly from the reversing taillight.



INSTALLING THE CAMERA

In most instances, the camera is best mounted above the vehicles license plate as shown here.



Fig.1

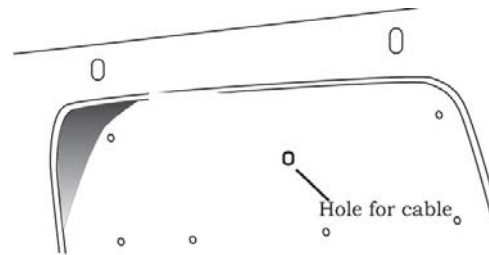


Fig.2

INSTALLATION.

1. Connect the RED wire of the Cameras Power Harness to the wire that supplies power to the reversing light globe (the wire that is energised only when the car is put into reverse). Before making the electrical connection, temporarily disconnect the camera from the power plug whilst making the connection to the back up light. Use a suitable splicing/crimp connector (Scotch lock type) or strip connector. This connection can also be soldered, making sure to insulate the joint with electrical insulation when done. **The camera has only one wire to connect (positive (+)). There is no need to hook up a ground wire as the camera gets its earth through the RCA lead. Hooking up the earth may cause a ground loop. In this case Horizontal lines will appear in the image.**
2. After you have insulated the join you can connect the power harness to the camera.
NOTE: Some cars that Run LED or Computer controlled lighting systems and may not deliver enough voltage to run the camera. If the voltage at the reversing wire light is less than +12 volts it may be necessary to use a relay to supply power to the transmitter harness from the wiring in the front of the car. In this case the reversing light only needs to trigger the relay. Make sure that you do not drill holes in the panels that have an opposite face that is visible outside the car for example guard panels. In fact, whenever drilling holes in the bodywork of a vehicle, always see what is on the other side.
3. Connect one end of the Supplied RCA Video lead to the RCA lead coming from the camera then run the RCA lead to the front under side of the driver side dash board (This is were the monitors loom will be located). To do this you will need to remove the rear seat to pass the cable into the cabin area and you will need to remove the door scuff plates to run the wire along the side of the vehicle. The RCA cable will be hidden when you replace the scuff plates. When the cable is at the front of the vehicle the RCA cable needs to be run from the scuff plate area to the under side of the dash behind the kick trim (Remove to run cable).
4. The monitor has two power wires to be connected. Connect the Red wire (Accessories +12V) to a wire that is energised when the accessories position on the key is active (When the radio is on) and the black wire to a ground wire or you can connect the back wire to the body of the car using the steel of the cars body behind the kick trim as an earth. In this case drill a small 1/8th hole and connect the wire using a suitable O-ring terminal. Scrape off the cars paint around the hole to ensure a good earth.
5. Connect the RCA lead to the RCA Connector from the Monitors loom.

TESTING THE REVERSE CAMERA FUNCTION

1. Engage the park brake and turn the ignition key to the on position. DO NOT start the vehicle.
2. Select reverse gear with the gearshift. The Monitor will sense the Video signal from camera automatically and image should start broadcasting the image of the rear of the vehicle.



----- Brightness adjustment button

----- Power button

SPECIFICATIONS

Monitor

- Size: 3.5 inch
- Display Format: 648 x 488 RGB
- Video System: PAL / NTSC auto-switch
- Video Input x 2: Yellow = Reverse Camera Input
White = DVD Signal Input/optional camera
- Supply Power: DC12V +/- 10%

Butterfly Camera

- Aluminum case & waterproof for outdoor use. IP67 Standard.
- Lense Angle 170 degree horizontal & 90 degree vertical
- Ultra bright night vision

TECHNICAL ASSISTANCE

If you need assistance setting up or using your Gator product now or in the future, call Gator Support.

Australia

TEL: 03 – 8587 8898

FAX: 03 – 8587 8866

Mon-Fri 9am – 5pm AEST

Please retain this user guide for future reference.

