

Specifications

- Reverse Camera
Universal Surface Mount
120° Horizontal Lens Angle
CMOS Image Sensor
- Dynamic Parking Guidelines
 - Suits PAL Systems
 - DC 12V Compatible
 - IP67 Waterproof / Dustproof
 - Resolution: 480TV Lines
 - Plug Type Camera End: 4 Pin DIN Plug
 - Plug Type Monitor End: RCA
 - Camera Dimensions: 15mm(H) x 15mm(W) x 21mm(L)

Technical Assistance

If you need assistance setting up or using your Gator product now or in the future, call Gator Support.

Australia

TEL: 03 – 8587 8898

FAX: 03 – 8587 8866

Mon-Fri 9am – 5pm AEST

Please retain this user guide for future reference.



G30DL

USER MANUAL



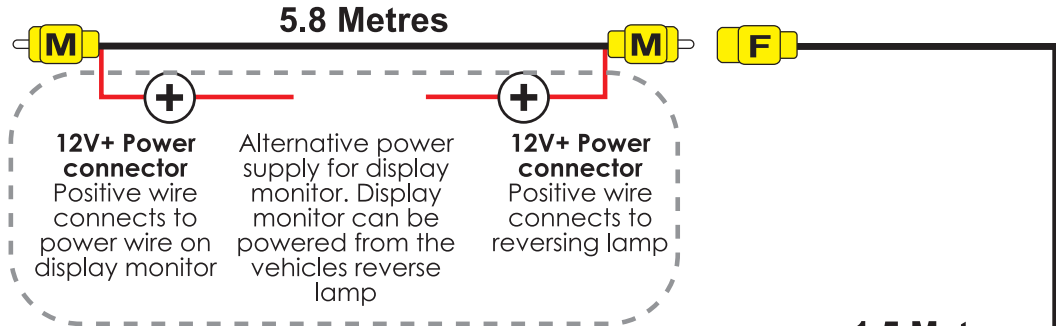
For more information
on the Gator range
go to our website

gatordriverassist.com 

INCLUSIONS:

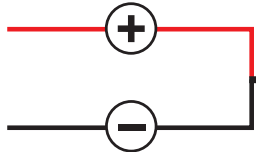
Surface Mount Camera, 5.8M RCA Video Cable with Trigger
and Camera Harness

Connects to video input source



12V + Power connector

Positive wire connects to reversing lamp (Trigger)



Ground

Negative wire connects to vehicle chassis

1.5 Metres

Camera Power Cable

Female RCA to 4 Pin Female. (Yellow Video/Signal)

Camera



Camera Cable 4 Pin Male

