



HDDVR250  
HD DVR 1080P  
CAR CAMCORDER

£

HDVR265H  
HD DVR 1080P  
CAR CAMCORDER  
WITH GPS TRACKING

USER MANUAL

Keys Functions  
Operation Instruction  
Product Specification  
FAQ

#### Overview

This is a digital High Definition video camera recorder with the most advanced technology. It is not only used as a common HD video camera, but also a professional driving recorder. It can record the HD image with Full HD 1920\*1080P, take picture of 5 Mega Pixels.

Applied TF card as the storage device, with small size, easy-carrying, save electricity features.

Video files can be transferred by HDMI to a high definition LCD TV and realize picture perfect playback.

#### Feature:

170 degree super wide angle lens.

1920\*1080P FULL HD high definition resolution.

Advanced H.264 video compression technology.

4X digital zoom

2.7 inch high resolution LCD, can view while recording.

IR light at night.

Support HDMI high quality video transmission.

30fps video flow

GPS receiver is 1.8 times faster searching for a GPS signal, recording travel speed, driving track(optional) **(HDVR265H ONLY)**

G-Sensor to keep the record of sensor data at emergency cannot be cover (optional).

Turn on and recording automatically when car starts,

Automatic loop recording, you are able to set the record time for each file.

Time & date display changed, there is no need to reset when re-starts.

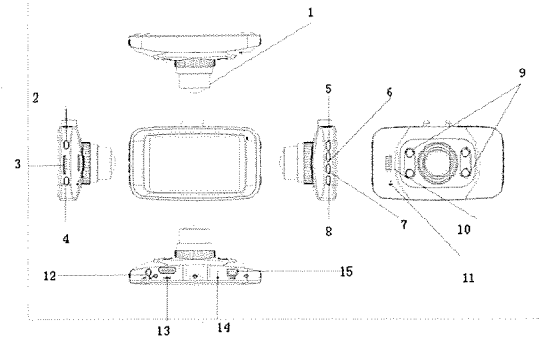
Can charge through USB (USB=2.0 connect).

Watching video simultaneous while driving, supporting on-spot play back.

256Mb internal storage, support files copy mutually and segment

Maximum memory storage 32GB.

## Structure



- |                         |  |
|-------------------------|--|
| 1. Lens                 | 9. IR Lights                                   |
| 2. Rec/Confirm Button   | 10. Speaker                                    |
| 3. TF Card Slot         | 11. MIC  |
| 4. Power ON/OFF         | 12. AV OUT (HDDVR250) / GPS (HDVR265H)         |
| 5. MEMU                 | 13. HDMI                                       |
| 6. Up/Backward/Volume+  | 14. Reset                                      |
| 7. Down/Forward/Volume- | 15. USB OUT (HDDVR250) / USB-AV OUT (HDVR265H) |
| 8. Mode/Lock Button/MIC |  |

### Keys Function

- **Mode Key:** to shift the mode between video and files. One short press for file to be photograph, twice short press for browse the files interface.
- **Up Key:** it is use for menu setting selection under Menu Mode. For browsing photo under playback. For speed forward and back under video playback.
- **Down Key:** it is use for menu setting selection under Menu Mode. For browsing photo under playback. For speed forward and back under video playback.
- **Power Key:** long press for turn on/off, short press to shift the LED.
- **REC/OK Button:** shooting button for taking picture or video. For menu setting under menu mode. For start, pause under video replay.

### Operation Instruction

- Built-in 3.7V/300mAh high power capacity battery.
- Connect to 12V/24V car charger to driving recorder:  
When used as driving recorder, connect the device with the car charger. Thus, it will start to record automatically when vehicle ignition is on, it will stop recording and save the recording when ignition turns off.
- The memory card:
  1. Confirm the inserting direction of Micro SD card, wrong direction could damage the DVR and Micro SD card
  2. Use the SDHC specification conforming high speed Micro SD card.
  3. Format the Micro SD card on the device on first use.
- Turn on/off and auto off of video recorder:
  1. Press the power key for 1 second to turn on/off the device.
  2. For longer battery life, set the automatic off time in the menu, the device will turn off automatically when not in operation .
- To enter the menu: long press MODE key to enter the menu setting selection.
- Video recording: short press REC/OK key to start/stop recording.
- IR Light Display: short press "ON/OFF key" to shift the fill light mode.
- Motion Detection: press DOWN key to turn on/off while on standby.
- Turn off the screen: long press OK key to turn off the screen to save electricity, press any key to turn it back on.
- Photo mode: press shutter key to take a photograph while on standby.

#### Camcorder Mode

1. Press REC button to start the video recording, and then press REC button to stop the video recording. During the process, red icon will be on the screen.
2. Select Flashlight: Choose the mode of flashlight in the status of video recording by pressing ON/OFF key. The sequencing will be flash, automatic flash and no flash.
3. Digital zoom: Focus the camera on the subject; press the key Up and Down to make the digital zoom.

Resolution: select the video resolution: 1920x1080P/30fps, 1440x1080P/30fps, 1280x720P/30fps

Audio: ON and OFF Mic

Loop recording: Set ON/OFF Loop recording, it will cover the last files when the memory of Micro SD card is full on Loop recording mode.

Power off delay: Select whether you want to delay switch off when the ignition switches off

IR Light: Select Flashlight ON/OFF/Auto

Motion Detection: ON/OFF

Motion Detection Sensitivity: Set sensitivity of motion detection, from 1 to 8

Language: Set Language

Date/Time: Up/Down button to operate, press OK for next set

TV Output: NTSC/PAL

Format: Format the Micro SD card

Auto off: set idle time to power off the device

Auto LCD off Time: set the time auto turn off for the LCD screen; press any key to wake up the LCD screen

G-Sensor: G-Sensor is used to test if the car has any crash. If so, it will automatically lock the file, there will be a lock mark at the right corner of file. In the case, the video won't be erased by loop recording. There are nine settings of this sensitivity of the G-Sensor: off/1/2/3/4/5/6/7/8. Off closes the G-Sensor function. 1 is the lowest sensitivity and 7 is the highest.(To prevent too many locked files in the card which may affect normal loop recording, the max total size of the locked file is 1G)

GPS: ON/OFF GPS Function, receiving within 50-60s **(HDVR265H ONLY)**

Firmware Version: Check the Firmware Code of the device

#### Remarks:

Photo resolution default 5M

In connection with car charger, the car is turned off, make video delay 30 seconds before shutdown.

When power on, GPS auto search satellite. No GPS positioning, LCD screen display dynamic lower left corner of the yellow icon; GPS positioning, LCD screen shows a green icon on the lower left corner.(Optional)**(HDVR265H ONLY)**

#### Specification

Sensor	5M CMOS Sensor, 1/2.5 inch light-sensing surface area
Lens	170°degree view angle.
Zoom	4 x digital zoom
LCD display	2.7 inch 16: 9 TFT LCD
Video output	AV(SVBS); composite TV signal output NTSC/PAL High definition TV terminal interface: HDMI signal output Max 1920X1080/ 30 fps
Picture	JPG file format Maximum output pixel: 5.0 Mega Pixels
Video resolution	H.264 compressed format 1920x1080, 30 frame/sec 1440 x 1080, 30 frame/sec 1280x720, 60 frame/sec
Language	English/Simple Chinese/Traditional Chinese / Russian /Italian/ Korean/Japanese
Audio	Built-in Microphone/Speaker(AAC)
Internal Memory	256Mb
Shutter	Electronic shutter
Flashlight	Automatic electronic video supplement lamp(IR Light)
G-Sensor	Support
GPS tracking	<b>(HDVR265H ONLY)</b>
Motion Detection	Support
Cycle recording	Support
Data processing	DDR 2Gbit
Battery	300mAh 3.7V Polymer Li-ion battery