



## USER GUIDE HDDVR186



## **Introduction**

Thank you for purchasing the Gator Digital Video Recorder 186. This product is designed to provide high quality recording of your trips for security and evidence in the case of an incident. Being portable, this convenient and durable multi-vehicle driving recorder can be used in a variety of situations for video recording.

## **Product Overview**

This product is a High Quality Digital Car driving recorder, it can record 480p video as well take pictures, using a micro SD card as the storage device which is ultra-small, power saving, easy and convenient to carry anytime. Compared with the traditional video, this product is exclusive design, elegant appearance, does not affect the overall appearance, humanized design concept allows you to enjoy the noble class treatment!

The DVR has a recording resolution of up to 640x480P and it can also shoot .3 mega pixel still images. The DVR uses a Micro SD card as storage because it is compact, power-saving and easy to carry.

## **Product Features:**

- 170-degree ultra-high definition wide-angle lens.
  - 640x480P/30FPS resolution.
  - 120 Degree Wide Angle Lens
  - Mjpeg Video Compression
  - 1.8 inch LCD screen.
  - Motion Detection
  - 2 IR Night Vision LEDs
  - Seamless Cycle Recording
  - Anti-shock and Anti-vibration
  - Multi Language Support
  - Micro SD support up to 32GB
  - Mini USB-OUT Interface
- 
- Do not put the DVR into a damp working condition; The DVR down not has any waterproof function.
  - Do not try opening the shell or trying to repair the DVR by yourself. If the accessories for the DVR have any problems, please take it to an authorized repair agent for repair.
  - Do not use a chemical substance, clean solvent or cleaner to clean the DVR, please use a moist soft cloth if you would like to clean the DVR.
  - Do not use the DVR under conditions where dust and density is too large, to avoid affecting the video.
  - Please care for the environment, do not discard this machine randomly; do not throw the DVR into a fire, as it may explode.
  - Please pay attention to cleaning the lens surface, use a moist soft cloth to clean the lens before use, to avoid poor video footage.

**Package Components:**



HD DVR 186



Mounting  
Bracket



USB to Mini USB



Car Charger



4G Micro SD  
Card

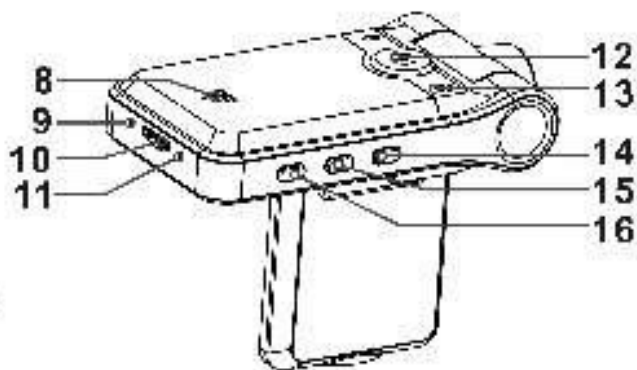
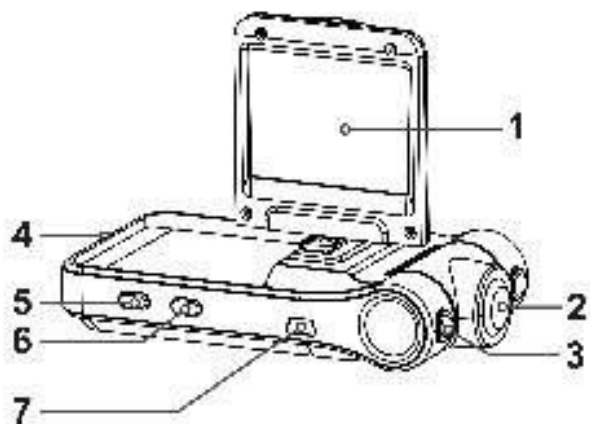


USER GUIDE HDDVR186



HD DVR 186  
User Guide

**Product Structure:**



- 1) LCD
- 2) Camera
- 3) IR LEDs
- 4) Indicator LED
- 5) Ok/Record Button
- 6) Power/Mode Button
- 7) Mini USB Output
- 8) Battery Cover

- 9) Reset
- 10) Micro SD Card Slot
- 11) MIC
- 12) Bracket Hole
- 13) Speaker
- 14) Menu
- 15) Up Button
- 16) Down Button

## **Button Instructions**

### **Menu Button:**

Pressing this button once will open the menu. Pressing the menu button again while in the menu will change to the second settings tab.

### **Up Button:**

The up button is used while in the menu to move the highlighted area for selecting. The up button can also be used to turn the IR LEDs on or off under standby while recording. This is represented by a sun or a moon. Moon being the IR LEDs are on.

### **Down Button:**

The down button is used while in the menu to move the highlighted area for selecting. The down button can also be used to turn off the LCD under standby or while recording.

### **OK Button:**

The OK is used to start recording in video mode. Pressing the button again in video mode will stop the recording. In photo mode, the OK button is used to take a picture.

The OK button is also used to select a setting in the menu.

### **Power/Mode Button (Mode Switch):**

When the DVR is turned off, hold it down to turn it on. While the system is on, hold down the power button to turn it off.

Pressing the button while the DVR is on will allow you to switch between video mode, photo mode and the file browser interface.

### **Micro SD Slot:**

Where the Micro SD card is inserted (Max size is 32GB).

### **USB Interface:**

The USB port can be used to charge the device or be connected to a computer for data transmission.

### **Reset:**

To hard reset the device in the case of a system jam or crash.

### **Power Indication Light:**

When the device is turned on, a blue indicator will light up. When the device is recording the blue indicator will flash blue. When the device is charging, the light will glow red.

### **Battery Charging Indication Light:**

After connecting with USB, the indication lamp will light up red for charging, and light off when the battery is at full power.

### **MIC:**

Audio receiver for video recording.

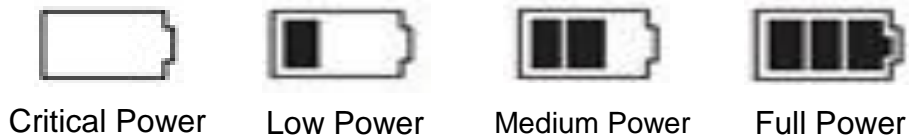
## Extra Functions

### Auto Power On/Off:

When turned on, once power is connected to the device, like when you start your car up, the DVR will automatically turn on and start recording. When the power is disconnected, or car is turned off, the DVR will automatically save the file and shutdown.

### Battery Instructions

Please see below illustration for battery the capacity indications.



When the DVR is charging, a red indicator on the DVR glows red. The DVR takes about 60 minutes to fully charge. When the DVR hits full charge, the red indicator will turn off.

The DVR can be charged multiple ways:

1. Using the power adapter for charging.
2. Using the provided micro USB cable to connect to a USB interface for charging.
3. Using the provided car charger

## **Basic Instructions for video and photo operation**

### **Powering on and off the device:**

To turn on the DVR hold down the power button, the red indication lamp will be light up if it is connected to a power source. To turn it off, hold down the power button and the device will turn off.

**WARNING:** The device will automatically turn off once the battery hits critically low levels.

### **Video Mode**

Press the Mode button to switch to video mode if not already. To start recording in video mode press the OK button to start the recording. You know it is recording by the red recording circle indicator on the top right corner of the LCD and by the flashing indicator light.

### **Photo Mode**

Press the Mode button to switch to photo mode. There is an 'A' icon the top right corner of the LCD to signify you are on photo mode. To take a photo, press OK button. The screen will flash when a picture is taken.

### **Video/Photo Playback**

Press the mode button until you get to a screen with a play button icon on the top right of the screen. Here you can use the arrow keys to select a video or photo you wish to play back. Press the OK button to select the file for playback. Pressing the Menu button will give the option to delete the file, a thumbnail setting and a volume setting. The thumbnail options changes the view of the recorded files by showing 9 files at a time to make it clearer to find a specific file. The volume allows you to change the volume between 0 and 6. Press the Mode button again to exit playback mode.

### **Menu Settings**

Press the Menu button to get into the menu settings. You can navigate the settings menu by using the Up/Down buttons. To change or edit a selected setting, press the OK button.

Press the menu button again to get to the second set of options. Press the Menu button again to get out of the menu settings.

### **Time Settings**

To edit the date and time, press the menu button twice to get to the Setup tab. Use the up/down buttons to navigate to the 'Date Input' setting and then press the OK button. The year will be highlighted with arrows letting you know that it can be changed with the up/down buttons. Press OK to move on to the month. Use the up/down buttons to set the month and then press the OK button to do the same thing to the day and the time. Date and time is automatically set when finishing the date and time setup. (Note: The clock time is formatted in 24 hour time).

### **USB Mode**

When connecting a USB cable with the PC, it will do the specified option that is set in the settings. By default it should automatically connect to your PC allowing you to transfer your videos and photos to your PC. This DVR also provides an option to use it as a webcam for your computer. To set this up, navigate to the Setup tab, by pressing menu twice, and move down to select the option 'USB'. This gives you the option to set it as either a 'Disk Drive' to transfer or a 'PC Cam' to use it as a webcam for your PC.

## Menu setting features explained

Before we begin, firstly there are two things that must be done before using the DVR.

Go into the first menu (**Video menu**) and scroll down using the up/down arrow buttons on the side of the DVR until you get to the 'Motion Detection' setting, now highlighted in green. When setting is highlighted, press the OK button, on the side of your DVR, and select motion detection to '**OFF**'. This feature must be set to 'off' if you wish to use your DVR as a loop recorder/crash DVR.

Second, press the menu button again until the setup tab is highlighted in blue (**SETUP MENU**). Scroll down using the up/down arrow keys until '**Auto Off**' is highlighted in green. Then press the OK button to select this setting to '**OFF**'. This feature must be set to off if you wish to use your DVR as a loop recorder/crash DVR as the **Auto Power Off Setting** will turn the DVR off completely and this setting is only meant to work with the motion detect feature.

Your DVR is now in loop record mode and we can go ahead and setup the rest of the menu selections.

**Size:** The resolution is set to VGA (640x480p)

**Time Stamp:** This feature will stamp the date and time on all your footage produced by your DVR.

**Motion Detection:** This feature is for activating you DVRs motion detect feature when you want your DVR to record if it detects movement such as people who are walking past you vehicle or can be set on when you have your car in an unprotected area.

NOTE: When this feature is activated, your DVR will not loop record and your card will fill up until your DVR says 'CARD FULL'.

**Video Time:** This feature allows you to set the size of the blocks your DVR will record before saving and creating a video file. We recommend the DVR to be set to '3 minute' blocks.

**Voice Recorder:** This Feature will allow you to turn the DVRs recording sound on or off. If you want to stop the DVR recording sound in the cab of your vehicle, set this feature to 'Off'.

Press the menu button again until you see the following Spanner and screwdriver. (**SETUP MENU**)

**Format:** This feature allows you to format/delete all the files off your micro SD card and also reinstalls your DCIM directory and DVR software on your SD card so the micro SD card can operate with your DVR free of errors.

**Language:** Allows you to choose from a selection of languages that include: English, Simplified Chinese, Traditional Chinese, Japanese, French, Germany, Korean, Hebrew, Turkish, Russian and Spanish.

**Auto Power Off:** This feature will turn you DVR off after 1, 3 or 5 minutes and will turn your DVR off completely so we suggest this feature always be set to '**OFF**'.

**System Reset:** This feature will reset all your settings and return your DVR to the factory standard settings.



**Light Frequency:** This feature allows the best recording in conditions where street lights and ac lighting is used. The Australian standard frequency is 50HZ so it should be set to '50hz'.

**Date Input:** This feature will allow you to change the year, month, day, time and date format using the up/down arrow buttons and using the OK button to move from year, month then day etc.

**USB:** This setting allows you to change how your DVR will act when connected to a PC. Disk Drive is to enable the user to transfer files to and from the DVR to your PC. The PC Cam option allows you to use your DVR as a web cam for your PC.

## Product Specification

Product Feature	HQ Camera, HQ Recording
LCD Size	1.8" TFT LCD
Lens	120 Degree Wide Angle
Language	English/Simplified Chinese/Traditional Chinese/Japanese/French/Germany/Korean/Hebrew/Turkish/Russian/ /Spanish
Video Format	AVI
Video Resolution	640x480 (VGA)
Loop Recording	Recording with seamless
Auto turn on/off while car power on/off	Supports turn on while car starts. And turn off while car turns off.
Motion Detection	Supported
Year/Month/Day/Hour/Minute	Supported
Still images	VGA 640x480
Photo Format	JPEG
Memory Card	Micro SD (up to 32GB Max)
MIC	Supported
Built-in Speaker	Supported
Frequency	50HZ/60HZ
USB Function	1. Disc Drive 2. PC Camera
Power Interface	5V 1.5A
Battery	500mAh battery

## Frequently Asked Questions

Under normal operating conditions, if there are problems with the device, please refer to the following methods to resolve.

### **Cannot take pictures or record video?**

Please check whether there is enough space on the micro SD card or internal storage.

### **Stopping automatically while recording**

Due to the high amount of HD video data being recorded, please use a high speed micro SD card. To tell if you have the required high speed card, check if it has the 'Micro SDHC' logo on the SD card and the C4, C6 or C10 somewhere on the card.



### **Fuzzy/dirty image**

Please check if the lens is filled with dirt or fingerprints and clean carefully. Please clean lens with cloth before shooting.

### **The colour is not good in cloudy or indoor conditions**

Please check the 'white balance' in the menu settings and make sure it is set to auto.

### **Horizontal stripes interference in the image**

This is due to the wrong setting of light frequency error, please set the frequency to 50HZ as it is the Australian standard frequency.

### **The DVR is jammed or not responding**

Please reset the device by pushing in the reset button on the underside of the DVR.

### **SD getting full quickly in DVR**

Turn off motion detect in the settings menu and then format card.

### **Why does battery go flat in the DVR?**

The DVR's battery must be frequently charged once a week if the car is not in use.

### **Why does the time and date reset?**

The time resets when the DVR's battery is flat. Make sure the DVR is always charged in order to keep date and time.

### **Why is the battery not charging in the car?**

Please check and make sure that there is power in the cigarette lighter socket of your car.

### **Why does the DVR turn off after 1-5 mins?**

Please check the settings and make sure that 'Auto Power Off' in the menu settings is set to 'off'

### **Micro SD card not recognised by DVR**

Please format card in the DVR's menu setting's before use.

## Technical Assistance

If you need assistance setting up or using your Gator product now or in the future, call Gator Support.

Australia

TEL: 03 – 8587 8898

FAX: 03 – 8587 8866

Mon-Fri 9am – 5pm AEST

Please retain this user guide for future reference.

