

GATER 

GHDVR72W

GHDVR82W

English Manual

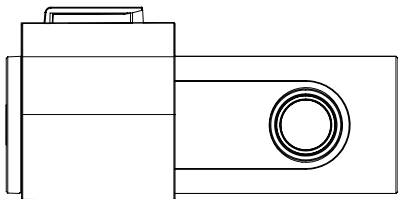


Table of contents

Table of contents.....	2
Intodutory video user guide.....	3
Product overview.....	4
Product features.....	4
System contents.....	5
Optional accessories.....	6
Product structure.....	7
Fixing the Dash Cam.....	8
Installation of Dash Cam.....	8
Downloading the Dash Cam WiFi App.....	10
First time pairing procedure (iPhone).....	11
First time pairing procedure (Android).....	13
Successful pairing of your device.....	14
Dash Cam App main screen.....	15
Time and date settings.....	16
Formating SD card.....	17
Download to your phone.....	17
Info setting.....	18
Factory reset.....	18
GPS logger.....	18
Product specifications.....	19
Trouble shooting guide.....	20
Safety information & warnings.....	26
Infringement of copyright warning.....	27
Technical assistance.....	27

Introductory video user guide

Scan this QR Code to see an introductory video user guide.



Alternatively you can search YouTube for “Gator GHDVR82W Instructional presentation”

<https://www.youtube.com/watch?v=q213vb2EIMw>

Please note that whilst the instructional video has good information on pairing and is often enough for most clients to get started, it does not cover some of the more complex details that we have added to this manual recently due to the iPhone and Android operating system changes that have altered the behaviour of some phones recently. Please ensure that you have read the product manual and instructions prior to installation and use. Failure to do so may result in the product incorrectly operating or an installation that renders the device unusable.

Product overview

The Gator GHDVR72/82W Dash Cam has been designed to provide high definition recordings of your road trips for security and evidence in the case of an accident. This Dash Cam mounts to the windscreen and records footage onto a memory card. It has a built-in WiFi interface that connects it wirelessly to your smartphone. This device operates through a user interface on your smart phone via the Gator Dash Cam App. (downloaded from the Apple App Store or Google Play Store).

Product features

- ❑ HD 1280x720 @ 30FPS/ FULL HD 1920x1080 @ 30FPS
- ❑ 152 Degree HD wide angle lens
- ❑ WiFi enabled (2.4Ghz)
- ❑ WiFi Via free App to Smartphone
- ❑ Hand gesture photo / video function
- ❑ Time and date stamp
- ❑ G-Sensor function
- ❑ Parking Mode (optional GHWCUSB2 req)
- ❑ GPS data recording (optional GPS7282W req)
- ❑ Super capacitor
- ❑ Multi language support
- ❑ Seamless cycle loop recording
- ❑ Mini USB interface/ 12V in-car USB charger
- ❑ Adhesive car mount
- ❑ Built-in MIC
- ❑ 8GB Memory card (Supports Micro SD card class10 up to 64GB)

System contents

Gator Dash Cam

Gator Dash Cam
Mounting Bracket

USB Power cable



Memory card

Car Charger/ USB
Power adapter

Optional accessories

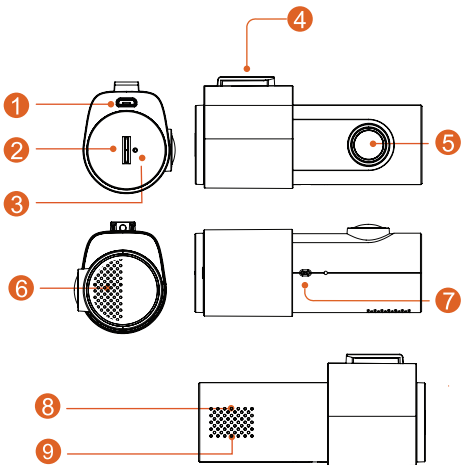
USB GPS receiver (GPS7282W) used for GPS map location playback with video playback.



Hardwire Kit. (GHWCUSB2) Needed for Park Mode operation and to free up the vehicles 12V socket for other usage.



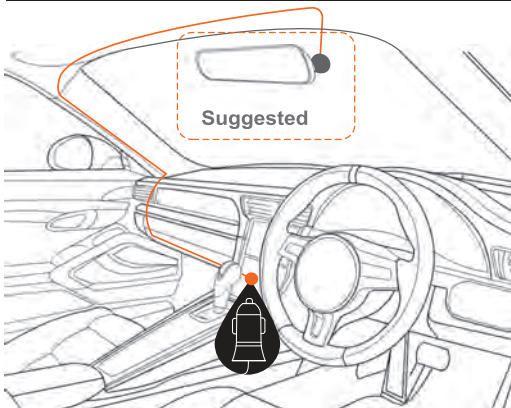
Product structure



- 1) Power socket
- 2) Micro SD card slot
- 3) Reset
- 4) Fixing point for mounting bracket
- 5) Camera lens

- 6) Speaker
- 7) Hand gesture sensor
- 8) Red light indicator (Recording)
- 9) Green light indicator (WiFi connected)

Fixing the Dash Cam



Installation of Dash Cam

1. Place mounting bracket onto the Dash Cam by sliding on fixing point. Orientate the device so the when you attach it to the wind screen, the USB socket is on the right hand side (looking from inside the car) and its lens is on the left. The the Hand Gesture Sensor faces down.
2. Fix the device onto a clean part of the windscreen toward the centre where the vision is not obstructed. (Make sure its VERY clean to ensure proper adhesion).

A place close to the rear-view mirror is ideal in most cases. Do not install the device near an airbag. (Airbags are often installed along the outer left- and right-hand sides of the windscreen).

3. Insert the included Micro SD card into the Dash Cam

4. Insert the Mini USB end of the power cord into the Mini USB socket of the Dash Cam. Connect the full-size USB plug into the USB socket of the power adapter, insert the power adapter into a free 12V power socket in the vehicle. The power lead is long enough to run along the head lining, down the A pillar, under and across the Dash to the transmission tunnel where it should be in range of the vehicles 12V accessory power socket as shown in the diagram above.

5. Rotate the Camera direction so that it is facing forward and slightly down from horizontal. Later, using the App, you can align it exactly so that 1/4 of the vehicles bonnet is visible at the bottom of the Cameras image.

6. Turn the vehicles ignition to accessories, the Dash Cam should automatically power ON, you will hear an audible tone once powered. (Some 12V sockets require ignition on).

7. A red LED will start flashing and recording will start. The unit records footage in small blocks. When the card is full, the unit will replace the oldest recordings with the newest footage as it is recorded. The available history is dependent on the size of the SD cards capacity.

8. The Dash Cam starts recording automatically when it receives power from the power adapter. Once power is turned off (when you turn the car off), the Dash Cam will use its on-board super capacitor to save the current file and then turn itself off.

Downloading the Dash Cam WiFi App

On your Android based Smartphone, search the Google Play store. For iPhones search the App Store. Search for **“Gator Dash Cam App”**

After downloading the App don't run the App just yet. **Gator has a number of different Apps for different devices. You MUST download the correct App for your device. The model number of your device is mentioned in the App description.**

First time pairing procedure

For iPhone,

1. Restart/ reboot your phone. (Turn it completely off and then boot it up).
2. Go into your phone **SETTINGS**, then into **PRIVACY**, and make sure your **LOCATION SERVICES** is turned on. It is also a good idea go into the location services menu to ensure that the Apps location services specifically are set to on as well.
3. Make sure your phones **MOBILE DATA** is turned **OFF** during this procedure. Tap your settings button, then Mobile and you should see this setting at the top of the page.
4. Power up your Dash Cam. In most cases this will take place when you turn your key to accessories and your 12V socket receives power. If not, start the car or turn on the Ignition (but do not do this on a public road).
5. Make sure no other Apps are running (including the Gator Dash Cam App) and close them if needed. Go to your WiFi settings and search for a WIFI access point name that will start with the model number of your device. For example, If you have a **GHDVR82W**, it will be something like **GHDVR82W-O23Cd**.
6. Select the network and enter the password **12345678** then connect. Your WIFI network should now have a tick next to it.

7. Open “Gator Dash Cam” App. Reminder that each Dash Cam runs on its own App. Make sure your using the correct App. The model of your device is mentioned in the description of the App.

8. In recent times the latest updates of the iPhone operating system asks you to enter a “key in **DashCam ID**” at the top of the screen, and just underneath it will have a white area under WiFi to type in information. If there is anything typed there already, delete it, it may say something like **GHDVR72/82**.

Delete it and type the EXACT syntax of the Dash Cam WiFi name, in our example it was **GHDVR82W-O23Cd**. Your WiFi name may be slightly different. It is case sensitive, so make sure to capitalise what is capitalized and lowercase what is lower case.

Make sure not to mix up o / O / 0 as using incorrect lowercase or uppercase o or the number character 0 will not work. Also make sure you use the - character and not a _ or a space or no space between the **GHDVR82W** and the **O23Cd** of the WiFi.

Once the **WIFI KEY Cam ID** is entered correctly, click on the blue “OK” button on the bottom of the screen, it may then ask you to click on join. Click join, then you should now be able to view your Dash Camera on your phone.

First time pairing procedure

For Android phones

1. Restart/ Reboot your phone. (Turn it completely off, then back on again).
2. Make sure that you have your "**LOCATION**" turned on, and your "**MOBILE DATA**" turned off. The procedure to access this setting is often, Swipe down from the top of your screen to the bottom at least 2 times and then swipe from left to right (or right to left).
3. Make sure your phones **MOBILE DATA** is turned **OFF** during this procedure.
4. Power up your Dash Cam. In most cases this will take place when you turn your key to accessories and your 12V socket receives power. If not, start the car or turn on the Ignition (but do not do this on a public road).
5. Make sure no other Apps are running (including the Gator Dash Cam App) and close them if needed. Go to your WIFI settings and search for a WIFI access point name that will start with the model number of your device. For example, if you have a **GHDVR82W**, it will be something like **GHDVR82W-O23Cd**.
6. Select the network and enter the password **12345678** then connect. Your WIFI network should now have the word "Connected" under it in "Current network". Your phone may advise you that "Internet may not be available" "Connect to another network or turn on

Switch to mobile” “Switch to mobile data” “Another network”. Ignore this message, it will go away in a couple of seconds. This warning only relates to the WiFi connection between the Phone and the Dash Cam. Your Internet is still available through your mobile data service whilst connected to the Dash Cam. (Except whilst you do this initial pair up where it has been disabled).

7. Open “Gator Dash Cam” App. Reminder that each Dash Cam runs on its own App. Make sure your using the correct App. The model of your device is mentioned in the description of the App. Due to recent Android updates you may be asked to enter an “**INPUT CODE**” with 2 buttons, one called :“**PLAY CODE**” and another called “**Connect My Dash Cam**” Enter four zeros as the code, **0000**, then click on “**Connect My Dash Cam**” button, not the “**Play Code**” button. You should now be connected and be able to view your Dash Camera video image.

After first successful WIFI pairing of your devices

After your initial pairing of your device to the Dash Cam’s WiFi network you can turn back on your mobile data. For all future pairing you do not need to disable your mobile data. However, if you have an issue that looks as if the phone cannot get data from the device you may try disabling mobile data as a possible remedy, or try rebooting your phone.

Dash Cam App main screen



When in portrait mode a live image of the Dash Cameras view will be displayed at the top of the phone screen. Use this image to adjust the angle of the Camera so that the lower part of the Cameras view can see the end of the cars bonnet (about $\frac{1}{4}$ of its length).

1. To take a picture, press the white button in the lower centre of your screen.
2. To access your Dash Cam videos, press the video Camera icon in the lower left of your screen.
3. To access the Dash Cam's settings, press the settings gear icon in the lower right of your screen.

Time and date settings

To set the time and date, Click on the gear icon and scroll down to where it says "Sync the mobile phone time to device". Click on this option and it will then set the Dash Cam time to the same time as your mobile phone. A confirmation message is also given.

Format SD Card

You should do this at least every 2 to 3 months

You can format your SD card by clicking on the "Manage the TFT card" which is near the bottom of the menu list. It will ask you to confirm before formatting. It is recommended you do this to keep the card in good running order and to ensure you purge any locked footage that may have been saved in the past that you no longer need and is taking up space. Note: Back up files you wish to keep prior to formatting, as formatting will delete ALL files on the SD Card.

Download to your phone

To download videos to your phone, click on the video Camera icon. If you have a lot of videos, it may take a bit of time before it will load images onto your screen, it may appear empty to start with, be patient, the video images should appear in a minute. Then, click on the word "**SELECT**" at the top right of the screen, then select which video images you want to download to your phone, then click on the downward pointing arrow at the top left of the screen. Patience is needed while it downloads the videos, the more videos you select, the longer it will take to download. Please keep in mind that this footage is High definition and is quite large. (make sure there is sufficient space on your phone).

Info setting

Displays the version number of the App, Version number of the firmware, Language and Speed unit settings.

Factory reset

To hard reset the device back to its original settings in the case of a system jam or crash. Insert a fine point paper clip into the reset hole next to Micro SD card input.

GPS logger

With optional (GPS7282W receiver cable)

GPS geolocation data is automatically saved to the video files when the GPS7282W receiver cable is installed.

To play back videos with a live map view, you will need to download the VideoPlay 1.0.0.1 viewer. This App is for PC platforms only. The App is available at:

[www.tdj.com.au/firmware/Gator/DVR DashCams/
GHDVR72W-GHDVR82W](http://www.tdj.com.au/firmware/Gator/DVR%20DashCams/GHDVR72W-GHDVR82W)

ATTENTION: To avoid any possible GPS signal interference, make sure the Dash Cam is away from any other car audio equipment.

Product specifications

- HD Camera, HD recording
- Light sensor 2MP CMOS sensor
- G-sensor three axis accelerometer
- WiFi 2.4GHz 802.11 b/g/n
- Lens 152 degree wide angle fixed focus, F = 2.2
- Languages supported
English, French, German, Italian & Spanish
- Video format MP4
- Video resolution 1280x720/1920x1080 @30fps (16:9)
- Video codec. H. 264
- Loop recording with seamless 3 min blocks
- Auto turn on/off while car power on/off
Supports turn on while car starts and turn off while car turns off.
- Date stamp supported
- Still images photo resolution: 2 MP
- Photo format JPEG
- Micro SD SDHC/XC (Class 10 up to 64GB Max)
- MIC/ built-in speaker supported
- In built Super capacitor
- CPU Hisilicon Hi3516C_V200
- Frequency 50HZ/60HZ
- USB supported
- SOS lock function supported
- Working voltage & current DC 5V/1A

Trouble shooting guide

Under normal operating conditions, if there are problems with the device, please refer to the following methods to resolve them.

Problem: Cannot take pictures or record video?

Solution: • This kind of issue is almost ALWAYS an issue related to the Memory card. Please check whether there is enough space on the micro SD. As mentioned earlier some footage is write protected and accumulates on the SD card over time.

- Format the SD card to be sure the card is no longer full of write protected footage.
- If the device keeps Stopping automatically while recording or it is recording Jumpy footage with dropped frames, this may be due to the SD cards write speed.
- You must use a high-speed micro SD card. To tell if you have the required high-speed card, check if it has the 'Micro SDHC/XC' logo on the SD card. Cards are often labelled as HD video capable but that is not always true. HD recording requires a Card with class 10, the card should have this printed on it somewhere.

Trouble shooting guide

PLEASE NOTE: SD cards have a finite life. Their life is based on the amount of times the card is written to. The SD card WILL eventual wear out over time.

Dash Cams are very heavy users of the SD card because they are constantly writing to memory. Some cards have a longer life than others. The longest life cards are often labelled as “ENDURANCE” or “HEAVY DUTY”

Troubleshooting guide

Problem: The adhesive mount will not stay attached to the windscreen

Solution: • Ensure windscreen is clean and free of debris, use glass cleaner or an alcohol swab to clean.

- Ensure that the plastic film has been removed from the adhesive pad.
- When mounting hold the bracket firmly to the windscreen for at least 60 seconds.

Problem: The Dash Cam will not power on

Solution: • Vehicle Accessory Socket - Check the vehicle accessory socket has power, simply plug another device and see if it powers up (or use a test light / multimeter to check for power).

- Dash Cam Power Cable - Check the fuse in the tip of the accessory plug, it may need to be replaced.
- Dash Cam - Connect the Dash Cam to a computer via the USB cable to see if it powers up.

Problem: The Dash Cam shuts down when connected to the vehicle and the battery will not charge

Solution: • This Dash Cam does not have a battery, it has a Super Capacitor.

- The Dash Cam will only turn on when the vehicle is switched on.

Troubleshooting guide

Problem: The Dash Cam battery only lasts for a few minutes when power is disconnected

Solution: • This Dash Cam does not have a battery, it has a Super Capacitor.

- The Super Capacitor only holds enough power to safely shut down the Dash Cam, securely save the last file when power is disconnected and retain settings.
- The Dash Cam is designed to be connected to power at all times while being used.

Problem: The Wifi does not seem to be connecting / the Dash Cam won't connect with my phone

Solution: • Ensure WiFi is switched on in your mobile phone settings and select your Dash Cam from the device list.

- Make sure you have entered the correct password for the device (12345678).
- If the device is still not connecting correctly, forget the Dash Cam from the phone through the settings, reset the Dash Cam, restart the mobile phone, and then try again.
- Check your phone has the latest software update and also check the App has been updated with the latest version.

Troubleshooting guide

Problem: The Dash Cam feels warm when it is operating

Solution: • It is normal for the Dash Cam to feel warm to the touch during typical use, especially when it is recording HD video.

Problem: The Dash Cam stops automatically while recording

Solution: • Check to see whether there is enough space on the Micro SD card.

- Ensure correct Micro SD card is being used, 8-64Gb Class 10 or above Micro SDHC/XC is recommended. Other types of Micro SD cards may not be suitable for use in Dash Cams.
- If the correct Micro SD Card is being used, format the Micro SD Card in a computer.
- Micro SD cards have a limited lifespan and become corrupt after a period of time. This is due to the continuous loop recording function. If this has occurred, you will need to replace your Micro SD Card.

Problem: The Micro SD card is not recognised by the Dash Cam

Solution: • Format the Micro SD card before using. Be sure the Micro SD card is compatible with the device, see “The Dash Cam stops automatically while recording” fault above.

Troubleshooting guide

Problem: Cannot record video or take pictures

Solution: • Check to see whether there is enough space on the Micro SD card. If not, the Micro SD card will need to be formatted.

Problem: Video files can not be played on the PC

Solution: • The video files from the Dash Cam are in .MP4 format and may not be compatible with your PC if suitable playback software is not installed.

Problem: My videos are blurry, dirty or discoloured

Solution: • Check to see if there are any finger prints or dirt present on the Camera lens. If needed, clean with a soft dry cloth before recording.
• Remove the transparent lens cover during installation.

Problem: The Dash Cam is frozen or not responding

Solution: • Reset the unit by pushing and holding the reset button for a few seconds and try again.
• Format Micro SD Card in a computer.

Problem: Unresolved issues

Solution: • Reset the unit by pushing and holding the reset button for a few seconds and try again.
• Format Micro SD Card in a computer.
• Should the problem persist please contact your Gator Service Agent for your country.

Safety information & warnings

Do not use the Dash Cam in damp working conditions; the Dash Cam is not waterproof.

Do not try opening the shell or trying to repair the Dash Cam by yourself.

If the Dash Cam or it's accessories have any problems and is still under warranty, then take it back to the place of purchase with the original purchase receipt.

If out of warranty then contact the authorised repair agent, Gator Support.

Do not use a chemical substance, cleaning solvent or cleaner to clean the Dash Cam, please use a moist soft cloth if you would like to clean the Dash Cam.

Do not use the Dash Cam under conditions where dust is present.

Please pay attention to cleaning the lens surface, use a moist soft cloth to clean the lens before use, to avoid poor video footage.

Infringement of copyright warning

Please note that this product is for personal use only, the method of use shall not violate the goods infringe on domestic or international copyright laws. Even recorded images for personal use only, please note that in some cases to use this product to record performances, exhibitions or business activities of the images may infringe the copyright or other legal rights and interests of others.

Technical assistance



For Australasian support

TEL: 03 – 8587 8898 FAX: 03 – 8587 8866

Mon-Fri 9am – 5pm AEST

EMAIL - service@gator.com.au

For European support

support.connects2.com/tickets/technical

If you would like to download a digital copy of this manual, or other Gator manuals/software, please visit the <http://gatordriverassist.com> website and click on ‘Firmware & Manuals’ for information on where to find the manuals/software.

For PC users a video viewing App is also available to download from the website.

This manual is considered correct at time of printing but is subject to change. For latest manuals and updates refer to the website.

Copyright © 2017 by TDJ Australia

All rights reserved. No part of this publication may be reproduced, distributed, or transmitted in any form or by any means, including photocopying, recording, copying or other electronic or mechanical methods, without the prior written permission of the author.

Please retain this user guide for future reference.



GATER 

GHDVR72W

GHDVR82W

Français Manuel

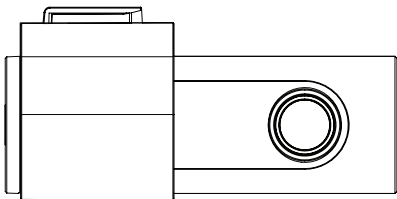


Table des matières

Table des matières.....	2
Vidéo introductive du guide d'utilisation.....	3
Synthèse du produit.....	4
Fonctionnalités du produit.....	4
Contenu du système.....	5
Accessoires optionnels.....	6
Structure du produit.....	7
Fixation de la DashCam.....	8
Installation de la Dash Cam.....	8
Téléchargement de l'application Dash Cam WiFi...	10
Procédure de premier appairage (iPhone).....	11
Procédure de premier appairage (Android).....	13
Appairage réussi de votre dispositif.....	14
Écran principal de l'Application Dash Cam.....	15
Réglages de l'heure et de la date.....	16
Formatage de la carte SD.....	17
Télécharger sur votre téléphone.....	17
Réglage Info.....	18
Réinitialisation d'usine.....	18
Enregistreur GPS.....	18
Spécifications du produit.....	19
Guide de dépannage.....	20
Informations de sécurité & mises en garde.....	26
Violation du droit d'auteur.....	27
Assistance technique.....	27

Vidéo introductive du guide d'utilisation

Scannez ce QR Code pour voir la vidéo introductive du guide d'utilisation.



Vous pouvez également rechercher sur YouTube " Présentation technique du Gator GHDVR82W "

<https://www.youtube.com/watch?v=q213vb2EIMw>

Veuillez noter que si la vidéo d'instruction contient de bonnes informations sur le couplage et que la plupart des clients peuvent s'y initier, elle ne couvre pas certains aspects plus complexes que nous avons récemment ajoutés à ce manuel en raison des évolutions des systèmes d'exploitation iPhone et Android qui ont récemment modifié le fonctionnement de certains téléphones. Veuillez-vous assurer d'avoir lu le manuel et les instructions avant l'installation et l'utilisation du produit. Tout manquement peut entraîner une défaillance du produit.

Synthèse du produit

La caméra Gator GHDVR72/82W Dash Cam a été conçue pour fournir des enregistrements haute définition de vos déplacements en voiture à des fins de sécurité et de preuve en cas d'accident. Cette Dash Cam se monte sur le pare-brise et enregistre des images sur une carte mémoire. Il dispose d'une interface WiFi intégrée qui le connecte à votre smartphone. Cet appareil fonctionne grâce à une interface utilisateur sur votre smartphone via l'application Gator Dash Cam. (Téléchargée sur l'App Store d'Apple ou sur le Play Store de Google).

Fonctionnalités du produit

- HD 1280x720 @ 30FPS/ FULL HD 1920x1080 @ 30FPS
- Optique HD grand angle 152 degrés
- WiFi activé (2,4 GHz)
- WiFi Via une Application gratuite sur Smartphone
- Fonction photo / vidéo gestuelle
- Date et heure
- Fonction de Capteur-G
- Mode parking (demande GHWCUSB2 optionnelle)
- Enregistrement des données GPS
- (demande GPS7282W optionnelle)
- Super condensateur
- Support multilingue
- Enregistrement en boucle sans interruption
- Mini interface USB / 12V sur chargeur USB de la voiture
- Support adhésif pour voiture
- Micro intégré

Contenu du système

Dash Cam Gator

Dash Cam Gator
Support de montage

Câble de recharge USB



Carte mémoire

Chargeur de voiture / USB
Adaptateur d'alimentation

Accessoires optionnels

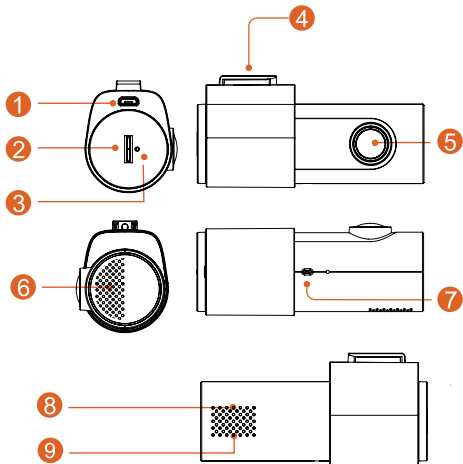
Récepteur GPS USB (GPS7282W) utilisé pour la lecture de la localisation sur carte GPS avec lecture vidéo.



Kit de câblage. (GHWCUSB2) Nécessaire pour le fonctionnement en Mode Parc et pour libérer la prise 12V du véhicule pour un autre usage.



Structure du produit



1) Prise d'alimentation

2) Emplacement pour
carte micro SD

3) Réinitialiser

4) Point de fixation pour
support de montage

5) Objectif d'appareil photo

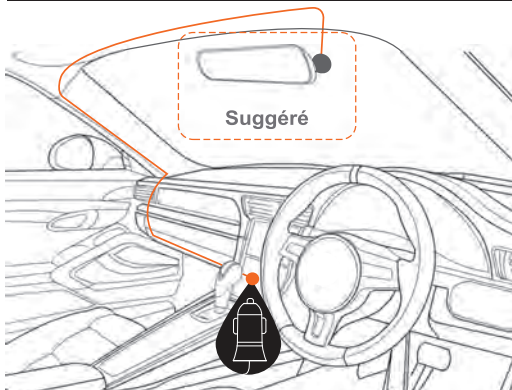
6) Haut-parleur

7) Capteur gestuel

8) Voyant lumineux rouge

9) Voyant lumineux vert
(connecté au Wifi)

Fixation de la DashCam



Installation de la Dash Cam

1. Placez le support de montage sur la Dash Cam en glissant sur le point de fixation. Orientez l'appareil de telle sorte que quand vous le fixez à votre pare-brise, le port USB se trouve sur le côté droit (regardant de l'intérieur de la voiture) et sa lentille sur le côté gauche. Le capteur gestuel orienté vers le bas.
2. Fixez l'appareil sur une partie propre du pare-brise vers le centre où la vision n'est pas obstruée. (Assurez-vous qu'il est TRÈS propre pour assurer une bonne adhérence).

Un endroit proche du rétroviseur est idéal dans la plupart des cas. N'installez pas l'appareil à proximité d'un airbag. (Les airbags sont souvent installés le long des côtés extérieurs gauche et droit du pare-brise).

3. Insérez la carte Micro SD incluse dans la Dash Cam

4. Insérez l'extrémité Mini USB du cordon d'alimentation dans le port Mini USB du Dash Cam. Branchez la fiche USB complète dans le port USB de l'adaptateur électrique, puis insérez l'adaptateur électrique dans une prise de courant 12V libre du véhicule. Le câble d'alimentation est suffisamment long pour passer le long de la doublure de tête, le long du longeron A, sous et à travers le tableau de bord jusqu'au tunnel de transmission où il doit être à portée de la prise de courant accessoire 12V du véhicule, comme indiqué dans le schéma ci-dessus.

5. Faites pivoter la direction de la caméra de sorte qu'elle soit orientée vers l'avant et légèrement vers le bas par rapport à l'horizontale. Plus tard, en utilisant l'application, vous pouvez l'aligner exactement de sorte que 1/4 du capot du véhicule soit visible en bas de l'image des caméras.

6. Mettez le contact du véhicule sur les accessoires, la Dash Cam devrait automatiquement s'allumer, vous entendrez une tonalité audible une fois alimentée. (Certaines prises 12V nécessitent un contact).

7. Une LED rouge commencera à clignoter et l'enregistrement commencera. L'unité enregistre des images en petits blocs. Lorsque la carte est pleine, l'unité remplacera les enregistrements les plus anciens par les séquences

les plus récentes au fur et à mesure de leur enregistrement. L'historique disponible dépend de la taille de la capacité des cartes SD.

8. La Dash Cam démarre automatiquement l'enregistrement lorsqu'elle est alimentée par l'adaptateur. Une fois l'alimentation coupée (lorsque vous éteignez la voiture), la Dash Cam utilisera son super condensateur intégré pour enregistrer le fichier actuel, puis s'éteindra.

Téléchargement de l'application Dash Cam WiFi

Sur votre smartphone Android, recherchez dans Google Play Store. Pour les iPhones, recherchez dans l'App Store. Recherche pour "**Gator Dash Cam App**"

Après avoir téléchargé l'application, ne l'exécutez pas encore

Gator a un certain nombre d'applications différentes pour divers appareils. Vous DEVEZ télécharger l'application appropriée pour votre appareil. Le numéro de modèle de votre appareil est mentionné dans la description de l'application.

Procédure de premier appairage

Pour iPhone,

1. Redémarrez votre téléphone. (Éteignez-le complètement puis redémarrez-le).
2. Accédez aux **PARAMÈTRES** de votre téléphone, puis à **CONFIDENTIALITÉ** et assurez-vous que vos **SERVICES DE LOCALISATION** sont activés. Il est également recommandé d'accéder au menu des services de localisation pour vous assurer que les services de localisation des applications sont également activés.
3. Assurez-vous que vos **DONNEES MÉMOBILES** du téléphone sont **DÉSACTIVÉS** pendant cette procédure. Appuyez sur le bouton Paramètres, puis sur Mobile et vous devriez voir ce paramètre en haut de la page.
4. Mettez votre Dash Cam en marche. Dans la plupart des cas, cela se produit lorsque vous tournez votre clé vers des accessoires et que votre prise 12V est alimentée. Sinon, démarrez la voiture ou allumez le contact (mais ne le faites pas sur une voie publique).
5. Assurez-vous qu'aucune autre application n'est en cours d'exécution (y compris l'application Gator Dash Cam) et fermez-les si nécessaire. Accédez à vos paramètres WiFi et recherchez un nom de point d'accès WIFI qui commencera par le numéro de modèle de votre appareil. Par exemple, si vous avez un **GHDVR82W**, ce sera quelque chose comme **GHDVR82W-O23Cd**.
6. Sélectionnez le réseau et entrez le mot de passe **12345678** puis connectez-vous. Votre réseau WIFI devrait maintenant avoir une coche à côté de lui.

7. Ouvrez l'application "Gator Dash Cam". Rappelons que chaque Dash Cam fonctionne sur sa propre application. Assurez-vous que vous utilisez la bonne application. Le modèle de votre appareil est mentionné dans la description de l'application.

8. Ces derniers temps, les dernières mises à jour du système d'exploitation de l'iPhone vous demandent de saisir une " touche dans **Dash Cam ID** " en haut de l'écran, et juste en dessous il y aura une zone blanche sous WiFi pour saisir des informations. S'il y a déjà quelque chose saisi, supprimez-le, cela peut dire quelque chose comme **GHDVR72/82**.

Supprimez-le et entrez la syntaxe EXACTE du nom du WiFi Dash Cam, dans notre exemple, il s'agissait de **GHDVR82W-O23Cd**. Votre nom du WiFi peut être légèrement différent. Il est sensible à un certain nombre de caractères, alors assurez-vous de mettre en majuscules et en minuscules ce qui est qu'est-ce qu'une minuscule. Assurez-vous de ne pas confondre o / O / 0 car l'utilisation de minuscules ou de majuscules o incorrects ou le chiffre 0 ne fonctionnera pas. Assurez-vous également d'utiliser le caractère - et non un _ ou un espace ou aucun espace entre GHDVR82W et O23Cd du WiFi.

Une fois que l' identifiant de la WIFI KEY Cam est entré correctement, cliquez sur le bouton bleu "OK" en bas de l'écran, il peut alors vous demander de cliquer sur rejoindre. Cliquez sur rejoindre, vous devriez maintenant être en mesure d'afficher votre Caméra Dash sur votre téléphone.

Procédure de premier appairage

Pour les téléphones Android

1. Pour les téléphones Android Redémarrez votre téléphone. (Éteignez-le complètement, puis rallumez-le).
2. Assurez-vous que votre "**LOCALISATION**" est activée et vos "**DONNÉES MOBILES**" désactivées. La procédure pour accéder à ce paramètre est souvent la suivante : faites glisser le curseur du haut de votre écran vers le bas au moins 2 fois, puis faites-le glisser de gauche à droite (ou de droite à gauche).
3. Assurez-vous que vos **DONNEES MÉMOBILES** du téléphone sont **DÉSACTIVÉS** pendant cette procédure.
4. Mettez votre Dash Cam en marche. Dans la plupart des cas, cela se produit lorsque vous tournez votre clé vers des accessoires et que votre prise 12V est alimentée. Sinon, démarrez la voiture ou allumez le contact (mais ne le faites pas sur une voie publique).
5. Assurez-vous qu'aucune autre application n'est en cours d'exécution (y compris l'application Gator Dash Cam) et fermez-les si nécessaire. Accédez à vos paramètres WiFi et recherchez un nom de point d'accès WiFi qui commencera par le numéro de modèle de votre appareil. Par exemple, si vous avez un **GHDVR82W**, ce sera quelque chose comme **GHDVR82W-O23Cd**.
6. Sélectionnez le réseau et entrez le mot de passe **12345678** puis connectez-vous. Votre réseau WiFi devrait maintenant avoir le mot "Connecté" sous "Réseau actuel". Votre téléphone peut vous avertir que "Internet peut ne pas être disponible" "Se connecter à un autre réseau ou allumer"

Passer au mobile " " Passer aux données mobiles " " Un autre réseau ". Ignorez ce message, il disparaîtra dans quelques secondes. Cet avertissement concerne uniquement la connexion WiFi entre le téléphone et la Dash Cam. Votre Internet est toujours disponible via votre service de données mobiles tout en étant connecté à la Dash Cam. (Sauf si vous effectuez ce couplage initial lorsqu'il a été désactivé).

7. Ouvrez l'application "Gator Dash Cam". Rappelons que chaque Dash Cam fonctionne sur sa propre application. Assurez-vous que vous utilisez la bonne application. Le modèle de votre appareil est mentionné dans la description de l'application. En raison des récentes mises à jour d'Android, il peut vous être demandé d'entrer un code " **INPUT CODE**" avec 2 boutons, l'un appelé : "**PLAY CODE**" et l'autre appelé "**Connect My Dash Cam**". Entrez quatre zéros comme code, **0000**, puis cliquez sur le bouton "**Connect My Dash Cam**", et non sur le bouton "**Play Code**". Vous devez maintenant être connecté et pouvoir visualiser l'image vidéo de votre DashCam.

Appairage réussi de votre dispositif

Après le premier couplage de votre appareil au réseau WiFi de la Dash Cam, vous pouvez réactiver vos données mobiles. Pour tout futur couplage, vous n'avez pas besoin de désactiver vos données mobiles. Toutefois, si vous rencontrez un problème qui semble empêcher le téléphone d'obtenir des données de l'appareil, vous pouvez essayer de désactiver les données mobiles comme solution possible, ou essayer de redémarrer votre téléphone.

Écran principal de l'Application



En mode portrait, une image en direct de la vue Dash Cameras s'affiche en haut de l'écran du téléphone. Utilisez cette image pour ajuster l'angle de la caméra afin que la partie inférieure de la vue de la caméra puisse voir l'extrémité du capot de la voiture (environ $\frac{1}{4}$ de sa longueur).

1. Pour prendre une photo, appuyez sur le bouton blanc en bas au centre de votre écran.
2. Pour accéder à vos vidéos Dash Cam, appuyez sur l'icône Caméra vidéo en bas à gauche de votre écran.
3. Pour accéder aux paramètres de la Dash Cam, appuyez sur l'icône d'engrenage des paramètres dans le coin inférieur droit de votre écran.

Réglages de l'heure et de la date

Pour régler l'heure et la date, cliquez sur l'icône d'engrenage et faites défiler jusqu'à l'endroit où il est dit "Synchroniser l'heure du téléphone mobile avec l'appareil". Cliquez sur cette option et elle réglera ensuite l'heure de la Dash Cam en même temps que votre téléphone mobile. Un message de confirmation est également donné.

Formatage de la carte SD

Vous devez le faire au moins tous les 2 à 3 mois

Vous pouvez formater votre carte SD en cliquant sur "Gérer la carte TFT" qui se trouve au bas de la liste des menus. Il vous sera demandé de confirmer avant le formatage. Il est recommandé de procéder ainsi pour maintenir la carte en bon état de fonctionnement et pour vous assurer que vous purgez toutes les séquences verrouillées qui ont pu être sauvegardées antérieurement et dont vous n'avez plus besoin et qui occupent de l'espace. Remarque : Sauvegardez les fichiers que vous souhaitez conserver avant le formatage, car le formatage supprimera TOUS les fichiers sur la carte SD.

Télécharger sur votre téléphone

Pour télécharger des vidéos sur votre téléphone, cliquez sur la vidéo Icône appareil photo. Si vous avez beaucoup de vidéos, cela peut prendre un peu de temps avant de charger des images sur votre écran, il peut. Apparaître vide pour commencer, soyez patient, les images vidéo devrait apparaître dans une minute. Cliquez ensuite sur le bouton "**SELECTIONNER**" en haut à droite de l'écran, puis sélectionnez lequel des images vidéo vous souhaitez télécharger sur votre téléphone, puis cliquez sur la flèche pointant vers le bas en haut à gauche de l'écran. La patience est nécessaire pendant le téléchargement des vidéos, plus vous sélectionnez de vidéos, plus il vous faudra du temps pour le téléchargement. Veuillez garder à l'esprit que ces images sont en haute définition et qu'elles sont assez volumineuses. (assurez-vous qu'il y a suffisamment d'espace sur votre téléphone).

Réglage Info

Affiche le numéro de version de l'application, le numéro de version du micrologiciel, la langue et les paramètres de l'unité de vitesse.

Réinitialisation d'usine

Pour réinitialiser le périphérique à ses paramètres d'origine en cas de bourrage du système ou de plantage. Insérez un trombone à pointe fine dans le trou de réinitialisation à côté de l'entrée de la carte Micro SD.

Enregistreur GPS

Avec en option (câble récepteur GPS7282W)

Les données de géolocalisation GPS sont automatiquement enregistrées dans les fichiers vidéo lorsque le câble du récepteur GPS7282W est installé. Pour lire les vidéos avec une vue cartographique en direct, vous devez télécharger le visualiseur VideoPlay 1.0.0.1. Cette application est uniquement pour les plates-formes PC. L'application est disponible sur : [www.tdj.com.au/firmware/Gator/DVR DashCams/GHDVR72W-GHDVR82W](http://www.tdj.com.au/firmware/Gator/DVR%20DashCams/GHDVR72W-GHDVR82W)

ATTENTION: Pour éviter toute interférence possible du signal GPS, assurez-vous que la Dash Cam est éloignée de tout autre équipement audio de voiture.

Spécifications du produit

- ❑ Caméra HD, enregistrement HD
- ❑ Capteur de lumière Capteur CMOS 2MP
- ❑ Accéléromètre trois axes à capteur G
- ❑ WiFi 2,4GHz 802.11 b/g/n
- ❑ Objectif grand angle à focale fixe de 152 degrés, F = 2.2
- ❑ Langues prises en charge
Anglais, Français, Allemand, Italien & Espagnol
- ❑ Format vidéo MP4
- ❑ Résolution vidéo 1280x720/1920x1080 @30fps (16:9)
- ❑ Codec vidéo. H. 264
- ❑ Enregistrement en boucle avec des blocs de 3 min sans interruption
- ❑ Mise en marche/arrêt pendant le démarrage de la voiture
Prend en charge l'allumage lorsque la voiture démarre et s'éteint pendant que la voiture s'éteint.
- ❑ Tampon dateur pris en charge
- ❑ Résolution des photos : 2 MP
- ❑ Format photo JPEG
- ❑ Micro SD SDHC/XC (Classe 10 jusqu'à 64Go max)
- ❑ Prise en charge MIC/haut-parleur intégré
- ❑ Super condensateur intégré
- ❑ CPU Hisilicon Hi3516C_V200
- ❑ Fréquence 50HZ/60HZ
- ❑ USB pris en charge
- ❑ Fonction de verrouillage SOS prise en charge
- ❑ Tension & courant DC 5V/1A

Guide de dépannage

Dans des conditions de fonctionnement normales, s'il y a des problèmes avec l'appareil, veuillez vous référer aux méthodes suivantes pour les résoudre.

Problème : Impossible de prendre des photos ou d'enregistrer des vidéos ?

Solution : • Ce type de problème est presque TOUJOURS lié à la carte mémoire. Veuillez vérifier s'il y a suffisamment d'espace sur la micro SD. Comme mentionné précédemment, certaines séquences sont protégées en écriture et s'accumulent sur la carte SD au fil du temps.

- Formatez la carte SD pour vous assurer qu'elle n'est plus pleine de séquences protégées en écriture.
- Si l'appareil continue de s'arrêter automatiquement pendant l'enregistrement ou s'il enregistre des images 'Jumpy' avec des images perdues, cela peut être dû à la vitesse d'écriture des cartes SD.
- Vous devez utiliser une carte micro SD haute vitesse. Pour savoir si vous disposez de la carte haute vitesse requise, vérifiez si elle comporte le logo "Micro SDHC/XC" sur la carte SD. Les cartes sont souvent étiquetées comme capables de supporter les vidéos HD, mais ce n'est pas toujours vrai. L'enregistrement HD nécessite une carte de classe 10, la carte doit l'avoir imprimée quelque part.

Guide de dépannage

VEUILLEZ NOTER : Les cartes SD ont une durée de vie limitée. Leur durée de vie est basée sur le nombre de fois où la carte est écrite. La carte SD finira par s'user avec le temps.

Les Dash Cams sont de très gros utilisateurs de la carte SD car elles écrivent constamment en mémoire. Certaines cartes ont une durée de vie plus longue que d'autres. Les cartes à durée de vie plus longue sont souvent étiquetées "ENDURANCE" ou "HEAVY DUTY"

Guide de dépannage

Problème : Le support adhésif ne reste pas attaché au pare-brise

Solution : • Assurez-vous que le pare-brise est propre et exempt de débris, utilisez un nettoyant pour vitres ou un tampon d'alcool pour nettoyer.

- Assurez-vous que le film plastique a été retiré du tampon adhésif.
- Lors du montage, maintenez fermement le support sur le pare-brise pendant au moins 60 secondes.

Problème : La Dash Cam ne s'allume pas

Solution : • Prise pour Accessoire du Véhicule - Vérifiez que la prise pour accessoire du véhicule est alimentée, branchez simplement un autre appareil et voyez s'il s'allume (ou utilisez une lampe test/multimètre pour vérifier l'alimentation).

- Câble d'alimentation Dash Cam - Vérifiez le fusible à l'extrémité de la fiche accessoire, il peut être nécessaire de le remplacer.
- Dash Cam - Connectez la Dash Cam à un ordinateur via le câble USB pour voir si elle s'allume.

Problème : La Dash Cam s'arrête lorsqu'elle est connectée au véhicule et la batterie ne se charge pas

Solution : • Cette Dash Cam n'a pas de batterie, elle a un Super Condensateur.

- La Dash Cam ne s'allume que lorsque le véhicule est démarré.

Guide de dépannage

Problème : La batterie de la Dash Cam ne dure que quelques minutes lorsque l'alimentation est coupée

Solution : • Cette Dash Cam n'a pas de batterie, elle a un Super Condensateur.

- Le super condensateur ne contient que suffisamment d'énergie pour éteindre la Dash Cam en toute sécurité, enregistrer en toute sécurité le dernier fichier lorsque l'alimentation est coupée et conserver les paramètres.
- La Dash Cam est conçue pour être connectée à l'alimentation à tout moment pendant son utilisation.

Problème : Le Wifi ne semble pas se connecter / la Dash Cam ne se connecte pas avec mon téléphone

Solution : • Assurez-vous que le WiFi est activé dans les paramètres de votre téléphone mobile et sélectionnez votre Dash Cam dans la liste des appareils.

- Assurez-vous d'avoir entré le mot de passe correct pour l'appareil (12345678).
- Si l'appareil ne se connecte toujours pas correctement, oubliez la Dash Cam du téléphone via les paramètres, réinitialisez la Dash Cam, redémarrez le téléphone mobile, puis réessayez.
- Vérifiez que votre téléphone dispose de la dernière mise à jour logicielle et vérifiez également que l'application a été mise à jour avec la dernière version.

Guide de dépannage

Problème : La Dash Cam chauffe lorsqu'elle fonctionne

Solution: • Il est normal que la Dash Cam soit chaude au toucher pendant une utilisation normale, en particulier lorsqu'elle enregistre une vidéo HD.

Problème : La Dash Cam s'arrête automatiquement pendant l'enregistrement

Solution: • Vérifiez s'il y a suffisamment d'espace sur la carte Micro SD.

- Assurez-vous que la bonne carte Micro SD est utilisée, 8-64 Go classe 10 ou supérieure Micro SDHC/XC est recommandé. D'autres types de cartes Micro SD peuvent ne pas convenir à une utilisation dans les Dash Cams.
- Si la bonne carte Micro SD est utilisée, formatez la carte Micro SD dans un ordinateur.
- Les cartes Micro SD ont une durée de vie limitée et deviennent corrompues après un certain temps. Cela est dû à la fonction d'enregistrement en boucle continue. Si cela s'est produit, vous devrez remplacer votre carte Micro SD.

Problème : La carte Micro SD n'est pas reconnue par la Dash Cam

Solution: • Formatez la carte Micro SD avant de l'utiliser. Assurez-vous que la carte Micro SD est compatible avec l'appareil, voir la panne "La Dash Cam s'arrête automatiquement pendant l'enregistrement" ci-dessus.

Guide de dépannage

Problème : Impossible d'enregistrer une vidéo ou de prendre des photos

Solution: • Vérifiez s'il y a suffisamment d'espace sur la carte Micro SD. Sinon, la carte Micro SD devra être formatée.

Problème : Les fichiers vidéo ne peuvent pas être lus sur le PC

Solution: • Les fichiers vidéo de la Dash Cam figurent en Format MP4 et peut ne pas être compatible avec votre PC si aucun logiciel de lecture approprié n'est installé.

Problème : Mes vidéos sont floues, sales ou décolorées

Solution: • Vérifiez s'il y a des empreintes digitales ou de la saleté sur l'objectif de l'appareil photo. Si nécessaire, nettoyez avec un chiffon doux et sec avant l'enregistrement.

• Retirez le cache transparent de l'objectif lors de l'installation.

Problème : La Dash Cam est figée ou ne répond pas

Solution: • Réinitialisez l'unité en appuyant sur le bouton de réinitialisation et en le maintenant enfoncé pendant quelques secondes, puis réessayez.

• Formatez la carte Micro SD dans un ordinateur.

Guide de dépannage

Problème : Problèmes non résolus

Solution: • Réinitialisez l'unité en appuyant sur le bouton de réinitialisation et en le maintenant enfoncé pendant quelques secondes, puis réessayez.

- Formatez la carte Micro SD dans un ordinateur.
- Si le problème persiste, veuillez contacter votre agent Gator Service pour votre pays.

Informations de sécurité & mises en garde

N'utilisez pas la Dash Cam dans des conditions de travail humides ; la Dash Cam n'est pas étanche.

N'essayez pas d'ouvrir le boîtier ou de réparer vous-même la Dash Cam.

Si la Dash Cam ou ses accessoires ont des problèmes et sont toujours sous garantie, ramenez-les au lieu d'achat avec le reçu d'achat d'origine.

Si vous n'êtes plus sous garantie, contactez l'agent de réparation agréé, Assistance Gator.

N'utilisez pas de substance chimique, de solvant ou de nettoyant pour nettoyer la Dash Cam, veuillez utiliser un chiffon doux et humide si vous souhaitez nettoyer la Dash Cam. N'utilisez pas la Dash Cam dans des conditions où de la poussière est présente.

Veuillez faire attention au nettoyage de la surface de l'objectif, utilisez un chiffon doux et humide pour nettoyer l'objectif avant utilisation, afin d'éviter de mauvaises séquences vidéo.

Violation du droit d'auteur

Veillez noter que ce produit est destiné à un usage personnel uniquement, la méthode d'utilisation ne doit pas enfreindre les lois nationales ou internationales sur les droits d'auteur. Même les images enregistrées pour un usage personnel uniquement, veuillez noter que dans certains cas, l'utilisation de ce produit pour enregistrer des représentations, des expositions ou des activités commerciales des images peut enfreindre le droit d'auteur ou d'autres droits et intérêts légaux d'autrui.

Assistance technique



For Australasian support

TEL: 03 – 8587 8898 FAX: 03 – 8587 8866

Mon-Fri 9am – 5pm AEST

EMAIL - service@gator.com.au

For European support

support.connects2.com/tickets/technical

Si vous souhaitez télécharger une copie numérique de ce manuel, ou d'autres manuels/logiciels Gator, veuillez visiter le site <http://gatordriverassist.com> et cliquer sur "Manuels Firmware" pour savoir où trouver les manuels/logiciels.

Pour les utilisateurs de PC, une application de visualisation vidéo est également disponible en téléchargement sur le site Web.

Ce manuel est considéré comme exact au moment de l'impression, mais il est susceptible d'être modifié. Pour obtenir les plus récents manuels et mises à jour, veuillez consulter le site web.

Copyright © 2017 par TDJ Australie

Tous droits réservés. Aucune partie de cette publication ne peut être reproduite, distribuée ou transmise sous quelque forme ou par quelque moyen que ce soit, y compris la photocopie, l'enregistrement, copie ou autres méthodes électroniques ou mécaniques, sans l'autorisation écrite préalable de l'auteur.

Conservez ce guide d'utilisation à titre de document de référence.

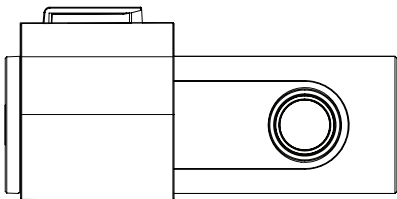


GATER 

GHDVR72W

GHDVR82W

Deutsche Manual



Inhaltsverzeichnis

Inhaltsverzeichnis.....	2
Einführendes Video-Benutzerhandbuch.....	3
Produktübersicht.....	4
Produktmerkmale.....	4
Systeminhalt.....	5
Optionales Zubehör.....	6
Produktstruktur.....	7
Befestigung der Dash Cam.....	8
Einbau der Dash-Cam.....	8
Herunterladen der Dash Cam WiFi App.....	10
Verfahren für die erstmalige Kopplung (iPhone)..	11
Erstes Kopplungsverfahren (Android).....	13
Erfolgreiche Kopplung Ihres Geräts.....	14
Dash Cam App Hauptbildschirm.....	15
Zeit- und Datumseinstellungen.....	16
Formatieren der SD-Karte.....	17
Herunterladen auf Ihr Telefon.....	17
Info-Einstellung.....	18
Werksrückstellung.....	18
GPS logger.....	18
Produktspezifikationen.....	19
Leitfaden zur Fehlerbehebung.....	20
Sicherheitsinformationen und -warnungen.....	26
Verletzung der Urheberrechtswarnung.....	27
Technische Unterstützung.....	27

Einführendes Video-Benutzerhandbuch

Scannen Sie diesen QR-Code, um ein einführendes Video-Benutzerhandbuch zu sehen.



Alternativ können Sie auf YouTube nach
“Gator GHDVR82W Instructional presentation”

<https://www.youtube.com/watch?v=q213vb2EIMw>

Bitte beachten Sie, dass das Anleitungsvideo zwar gute Informationen über das Pairing enthält und für die meisten Kunden oft genug ist, um damit zu beginnen, aber einige der komplexeren Details, die wir in letzter Zeit aufgrund der Änderungen des iPhone und des Android-Betriebssystems, die das Verhalten einiger Telefone in letzter Zeit verändert haben, in diesem Handbuch nicht behandelt werden. Bitte stellen Sie sicher, dass Sie das Produkthandbuch und die Anweisungen vor der Installation und dem Gebrauch gelesen haben. Andernfalls kann das Produkt nicht richtig funktionieren oder eine Installation, die das Gerät unbrauchbar macht, verursachen.

Produktübersicht

Die Gator GHDVR72/82W Dash Cam wurde entwickelt, um im Falle eines Unfalls hochauflösende Aufzeichnungen Ihrer Fahrten zur Sicherheit und als Beweismittel zu liefern. Die ThisDash Cam wird an der Windschutzscheibe befestigt und zeichnet Filmmaterial auf eine Speicherkarte auf. Es hat eine integrierte WiFi-Schnittstelle, die es drahtlos mit Ihrem Smartphone verbindet. Dieses Gerät funktioniert über eine Benutzeroberfläche auf Ihrem Smartphone über die Gator Dash Cam App. (heruntergeladen aus dem Apple App Store oder Google Play Store).

Produktmerkmale

- HD 1280x720 @ 30FPS/ FULL HD 1920x1080 @ 30FPS
- 152 Grad HD-Weitwinkelobjektiv
- WiFi aktiviert (2.4Ghz)
- WiFi Über kostenlose App zum Smartphone
- Foto-/Videofunktion Handgesten Foto-/Videofunktion Zeit- und
- Datumsstempel
- G-Sensor-Funktion
- Park-Modus (optionaler GHWCUSB2 erforderlich)
- GPS-Datenaufzeichnung (optionaler GPS7282W erforderlich)
- Superkondensator
- Mehrsprachenunterstützung
- Nahtlose Zyklusschleifenaufzeichnung
- Mini USB-Schnittstelle/ 12V-USB-Ladegerät für da
- AutoKlebeautomatenhalterung
- Eingebaute MIC
- 8GB-Speicherkarte (Unterstützt Micro SD-Karten der Klasse 10 bis 64GB)

Inhalt des Systems



Gator Dash Cam



Gator Dash Cam
Montagehalterung



USB-Stromkabel



Speicherkarte



Autoladegerät/ USB-Netzadapter

Optionales Zubehör

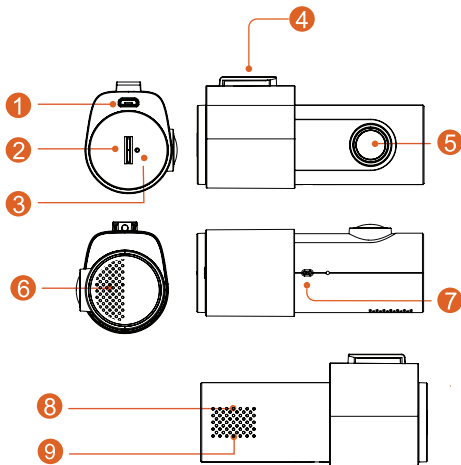
USB-GPS-Empfänger (GPS7282W), der für die Wiedergabe von GPS-Kartenpositionen mit Videowiedergabe verwendet wird.



Bausatz für Festkabel. (GHWCUSB2) Wird für den Betrieb im Parkmodus und zur Freigabe der 12V-Steckdose des Fahrzeugs für andere Zwecke benötigt.



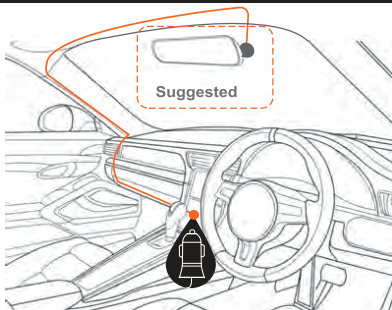
Produktstruktur



- 1) Steckdose
 2) Mikro-SD-Kartenschlitz
 3) Zurücksetzent
 4) Befestigungspunkt für
 Montagebügel
 5) Kamerallinse

- 6) Lautsprecher
 7) Handgesten-Sensor
 8) Rotlicht-Anzeige
 (Aufzeichnung)
 9) Grüne Lichtanzeige
 (WiFi verbunden)

Befestigung der Dash-Cam



Einbau der Dash-Cam

1. Platzieren Sie den Montagebügel auf die Dash Cam, indem Sie auf den Befestigungspunkt gleiten. Richten Sie das Gerät so aus, dass sich beim Anbringen an der Windschutzscheibe die USB-Buchse auf der rechten Seite (von der Innenseite des Fahrzeugs aus gesehen) und die Linse auf der linken Seite befindet. Der Handgelenks-Sensor ist nach unten gerichtet.
2. Befestigen Sie die Vorrichtung an einem sauberen Teil der Windschutzscheibe in Richtung Mitte, wo die Sicht nicht behindert wird. (Stellen Sie sicher, dass es SEHR sauber ist, um eine einwandfreie Haftung zu gewährleisten). Ein Platz in der Nähe des Rückspiegels ist in den meisten Fällen ideal. Installieren Sie das Gerät nicht in der Nähe eines Airbags. (Airbags werden oft entlang der linken und rechten Außenseite der Windschutzscheibe installiert).

3. Legen Sie die mitgelieferte Micro-SD-Karte in die Dash Cam ein.
4. Stecken Sie das Mini-USB-Ende des Netzkabels in die Mini-USB-Buchse der Dash-Cam. Schließen Sie den USB-Stecker in voller Größe an die USB-Buchse des Netzteils an, stecken Sie das Netzteil in eine freie 12V-Steckdose im Fahrzeug. Das Stromkabel ist lang genug, um entlang des Dachhimmels, den A-Pfeiler hinunter, unter und über das Armaturenbrett zum Übertragungstunnel zu verlaufen, wo es sich in Reichweite der 12V-Zubehörsteckdose des Fahrzeugs befinden sollte, wie in der obigen Abbildung dargestellt.
5. Drehen Sie die Kamerarichtung so, dass die Kamera nach vorne und leicht nach unten aus der Horizontalen zeigt. Später können Sie die App genau so ausrichten, dass 1/4 der Motorhaube des Fahrzeugs am unteren Rand des Kamerabildes sichtbar ist.
6. Schalten Sie die Zündung des Fahrzeugs auf Zubehör, die Dash Cam sollte sich automatisch einschalten, Sie werden einen hörbaren Ton hören, sobald sie eingeschaltet ist. (Einige 12V-Steckdosen erfordern eine Zündung an).
7. Eine rote LED beginnt zu blinken, und die Aufzeichnung beginnt. Das Gerät zeichnet das Material in kleinen Blöcken auf. Wenn die Karte voll ist, ersetzt das Gerät die ältesten Aufzeichnungen durch die neuesten Aufnahmen, während diese aufgezeichnet werden. Die verfügbare Historie ist abhängig von der Größe der SD-Kartenkapazität.

8. Die Dash Cam startet die Aufnahme automatisch, wenn sie vom Netzteil mit Strom versorgt wird. Sobald der Strom abgeschaltet wird (wenn Sie das Auto ausschalten), verwendet die Dash Cam ihren eingebauten Superkondensator, um die aktuelle Datei zu speichern und schaltet sich dann selbst aus.

Herunterladen der Dash Cam WiFi App

Durchsuchen Sie auf Ihrem Android-basierten Smartphone den Google Play-Store. Für iPhones suchen Sie im App Store. Suchen Sie nach "**Gator Dash Cam App**". Nach dem Herunterladen der App führen Sie die App noch nicht aus. **Gator bietet eine Reihe verschiedener Apps für verschiedene Geräte. Sie MÜSSEN die richtige App für Ihr Gerät herunterladen. Die Modellnummer Ihres Geräts ist in der Beschreibung der App angegeben.**

Verfahren für die erste Paarung

Für das iPhone,

1. Starten Sie Ihr Telefon neu/neu. (Schalten Sie es komplett aus und starten Sie es dann)
2. Gehen Sie in Ihre Telefon-EINSTELLUNGEN und dann in **PRIVACY** und stellen Sie sicher, dass Ihr **LOCATION SERVICES** eingeschaltet ist. Es ist auch eine gute Idee, in das Menü der Ortungsdienste zu gehen, um sicherzustellen, dass auch die Apps Ortungsdienste speziell eingeschaltet sind.
3. Stellen Sie sicher, dass die **MOBILE DATEN** Ihres Telefons während dieses Vorgangs ausgeschaltet sind. Tippen Sie auf die Schaltfläche Einstellungen, dann auf Mobil und Sie sollten diese Einstellung oben auf der Seite sehen.
4. Schalten Sie Ihre Dash Cam ein. In den meisten Fällen geschieht dies, wenn Sie Ihren Schlüssel auf Zubehör drehen und Ihre 12V-Steckdose mit Strom versorgt wird. Wenn nicht, starten Sie das Auto oder schalten Sie die Zündung ein (aber tun Sie dies nicht auf einer öffentlichen Straße).
5. Stellen Sie sicher, dass keine anderen Apps laufen (einschließlich der Gator Dash Cam App) und schließen Sie diese bei Bedarf. Gehen Sie zu Ihren WiFi-Einstellungen und suchen Sie nach einem WIFI-Zugangspunktnamen, der mit der Modellnummer Ihres Geräts beginnt. Wenn Sie z.B. ein **GHDVR82W** haben, wird es etwas wie **GHDVR82W-O23Cd** sein.
6. Wählen Sie das Netzwerk aus und geben Sie das Passwort **12345678 ein**, dann verbinden Sie sich. Ihr WIFI-Netz sollte nun ein Häkchen neben sich haben.

7. Öffnen Sie die "Gator Dash Cam"-Anwendung. Erinnern Sie daran, dass jede Dash-Cam auf einer eigenen App läuft. Stellen Sie sicher, dass Sie die richtige App verwenden. Das Modell Ihres Geräts wird in der Beschreibung der App erwähnt.

8. In letzter Zeit fordert Sie das neueste Update des iPhone-Betriebssystems auf, oben auf dem Bildschirm einen "**Schlüssel in DashCam ID**" einzugeben, und direkt darunter wird ein weißer Bereich unter WiFi zur Eingabe von Informationen angezeigt. Wenn dort bereits etwas getippt ist, löschen Sie es, es kann etwas wie **GHDVR72/82**. Delete it sagen und geben Sie die EXAKTE Syntax des Dash Cam WiFi-Namens ein, in unserem Beispiel war es **GHDVR82W-O23Cd**. Ihr WiFi-Name kann etwas anders lauten. Es wird auf die Groß- und Kleinschreibung geachtet, also stellen Sie sicher, dass das, was großgeschrieben wird, auch groß- und das, was kleingeschrieben wird, auch klein geschrieben wird. Achten Sie darauf, o / O / 0 nicht zu verwechseln, da die Verwendung von falschen Klein- oder Großbuchstaben o oder das Zahlenzeichen 0 nicht funktioniert. Achten Sie auch darauf, dass Sie das Zeichen - und nicht ein _ oder ein Leerzeichen oder kein Leerzeichen zwischen dem **GHDVR82W** und dem **O23Cd** des WiFi verwenden. Sobald die **WiFi KEY Cam ID** korrekt eingegeben wurde, klicken Sie auf die blaue Schaltfläche "OK" am unteren Bildschirmrand, die Sie dann möglicherweise auf "Verbinden" klicken muss. Klicken Sie auf "Verbinden", dann sollten Sie jetzt Ihre Dash-Kamera auf Ihrem Telefon sehen können.

Erstes Kopplungsverfahren (Android)

Für Android-Telefone

1. Starten Sie Ihr Telefon neu/neu. (Schalten Sie es komplett aus und dann wieder ein).
2. Vergewissern Sie sich, dass Sie Ihre "LOCATION" eingeschaltet und Ihre "MOBILE DATA" ausgeschaltet haben. Das Verfahren, um auf diese Einstellung zuzugreifen, besteht häufig darin, mindestens zweimal vom oberen Rand des Bildschirms nach unten zu streichen und dann von links nach rechts (oder von rechts nach links) zu streichen.
3. Stellen Sie sicher, dass die MOBILE DATEN Ihres Telefons während dieses Vorgangs ausgeschaltet sind.
4. Schalten Sie Ihre Dash Cam ein. In den meisten Fällen geschieht dies, wenn Sie Ihren Schlüssel auf Zubehör drehen und Ihre 12V-Steckdose mit Strom versorgt wird. Wenn nicht, starten Sie das Auto oder schalten Sie die Zündung ein (aber tun Sie dies nicht auf einer öffentlichen Straße).
5. Stellen Sie sicher, dass keine anderen Apps laufen (einschließlich der Gator Dash Cam App) und schließen Sie diese bei Bedarf. Gehen Sie zu Ihren WIFI-Einstellungen und suchen Sie nach einem WIFI-Zugangspunktnamen, der mit der Modellnummer Ihres Geräts beginnt. Wenn Sie zum Beispiel ein GHDVR82W haben, wird es etwas wie GHDVR82W-O23Cd sein.
6. Wählen Sie das Netzwerk aus und geben Sie das Passwort 12345678 ein, dann verbinden Sie sich. Ihr WIFI-Netzwerk sollte nun unter "Aktuelles Netzwerk" das Wort "Verbunden" tragen. Ihr Telefon weist Sie möglicherweise darauf hin, dass "Internet möglicherweise nicht verfügbar ist" "Verbinden Sie sich mit einem anderen Netz oder schalten Sie auf "Switch to mobile" um".

"Auf mobile Daten umschalten" "Ein anderes Netzwerk". Ignorieren Sie diese Nachricht, sie wird in wenigen Sekunden verschwinden. Diese Warnung bezieht sich nur auf die WiFi-Verbindung zwischen dem Telefon und der Dash-Cam. Ihr Internet ist weiterhin über Ihren mobilen Datendienst verfügbar, während Sie mit der Dash Cam verbunden sind. (Außer wenn Sie dieses erste Paar oben machen, wo es deaktiviert wurde).

7. Öffnen Sie die "Gator Dash Cam"-Anwendung. Erinnern Sie daran, dass jede Dash-Cam auf einer eigenen App läuft. Stellen Sie sicher, dass Sie die richtige App verwenden. Das Modell Ihres Geräts wird in der Beschreibung der App erwähnt. Aufgrund der jüngsten Android-Updates werden Sie möglicherweise aufgefordert, einen "INPUT CODE" mit 2 Schaltflächen einzugeben, eine mit dem Namen: "PLAY CODE" und eine mit dem Namen "Connect My Dash Cam". Geben Sie als Code vier Nullen ein, 0000, und klicken Sie dann auf die Schaltfläche "Connect My Dash Cam", nicht auf die Schaltfläche "Play Code". Sie sollten nun verbunden sein und Ihr Videobild der Dash-Kamera anzeigen können.

Nach dem ersten erfolgreichen WIFI-Pairing Ihrer Geräte

Nach der ersten Kopplung Ihres Geräts mit dem WiFi-Netzwerk der Dash Cam können Sie Ihre mobilen Daten wieder einschalten. Für alle zukünftigen Kopplungen müssen Sie Ihre mobilen Daten nicht deaktivieren. Wenn Sie jedoch ein Problem haben, das so aussieht, als könne das Telefon keine Daten von dem Gerät empfangen, können Sie als mögliche Abhilfe versuchen, mobile Daten zu deaktivieren oder Ihr Telefon neu zu starten.

Dash Cam App Hauptbildschirm



Im Hochformat wird oben auf dem Bildschirm des Telefons ein Live-Bild der Dash-Kamera-Ansicht angezeigt.

Verwenden Sie dieses Bild, um den Winkel der Kamera so einzustellen, dass der untere Teil der Kameraansicht das Ende der Motorhaube des Autos sehen kann (etwa 1/4 seiner Länge).

1. Um ein Bild aufzunehmen, drücken Sie die weiße Taste in der unteren Mitte Ihres Bildschirms.

2. Um auf Ihre Dash-Cam-Videos zuzugreifen, drücken Sie auf das Videokamera-Symbol unten links auf Ihrem Bildschirm.

3. Um auf die Einstellungen der Dash Cam zuzugreifen, drücken Sie auf das Symbol für das Einstellungsgetriebe unten rechts auf Ihrem Bildschirm.

Zeit- und Datumseinstellungen

Um die Uhrzeit und das Datum einzustellen, klicken Sie auf das Zahnradsymbol und scrollen Sie nach unten, bis zu der Stelle, an der es heißt "Sync the mobile phone time to device". Klicken Sie auf diese Option, und die Dash-Cam-Zeit wird dann auf die gleiche Zeit wie die Ihres Mobiltelefons eingestellt. Es wird auch eine Bestätigungsnachricht gegeben.

SD-Karte formatieren

Sie sollten dies mindestens alle 2 bis 3 Monate tun.

Sie können Ihre SD-Karte formatieren, indem Sie auf die "TFT-Karte verwalten" klicken, die sich am unteren Ende der Menüliste befindet. Sie werden vor der Formatierung um eine Bestätigung gebeten. Es wird empfohlen, dies zu tun, um die Karte in gutem Zustand zu halten und um sicherzustellen, dass Sie in der Vergangenheit gespeichertes, gesperrtes Material, das Sie nicht mehr benötigen und das Platz wegnimmt, löschen. Hinweis: Sichern Sie Dateien, die Sie vor der Formatierung aufbewahren möchten, da die Formatierung ALLE Dateien auf der SD-Karte.

Herunterladen auf Ihr Telefon

Um Videos auf Ihr Telefon herunterzuladen, klicken Sie auf das Symbol der Videokamera. Wenn Sie viele Videos haben, kann es etwas dauern, bis die Bilder auf Ihren Bildschirm geladen werden, es kann zunächst leer erscheinen, seien Sie geduldig, die Videobilder sollten in einer Minute erscheinen. Klicken Sie dann auf das Wort "**SELECT**" oben rechts auf dem Bildschirm, wählen Sie dann die Videobilder aus, die Sie auf Ihr Telefon herunterladen möchten, und klicken Sie dann auf den nach unten zeigenden Pfeil oben links auf dem Bildschirm. Beim Herunterladen der Videos ist Geduld erforderlich. Je mehr Videos Sie auswählen, desto länger dauert das Herunterladen. Bitte bedenken Sie, dass dieses Material in High Definition vorliegt und ziemlich groß ist. (stellen Sie sicher, dass auf Ihrem Telefon genügend Platz vorhanden ist).

Info-Einstellung

Zeigt die Versionsnummer der App, die Versionsnummer der Firmware, die Sprache und die Einstellungen der Geschwindigkeitseinheit an.

Werkseitige Rückstellung

Um das Gerät im Falle eines Systemstaus oder Absturzes auf seine ursprünglichen Einstellungen zurückzusetzen. Stecken Sie eine feine Büroklammer in das Reset-Loch neben dem Eingang der Micro-SD-Karte.

GPS-Logger

Mit optionalem (GPS7282W-Empfängerkabel)

GPS-Geolokationsdaten werden automatisch in den Videodateien gespeichert, wenn das GPS7282W-Empfängerkabel installiert wird.

Um Videos mit einer Live-Kartenansicht wiederzugeben, müssen Sie den VideoPlay 1.0.0.1-Viewer herunterladen. Diese App ist nur für PC-Plattformen bestimmt. Die App ist verfügbar unter: [www.tdj.com.au/firmware/Gator/DVR DashCams/ GHDVR72W-GHDVR82W](http://www.tdj.com.au/firmware/Gator/DVR-DashCams/GHDVR72W-GHDVR82W)

ACHTUNG: Um mögliche Störungen des GPS-Signals zu vermeiden, stellen Sie sicher, dass die Dash-Cam von anderen Audiogeräten im Auto entfernt ist.

Produkt-Spezifikationen

- HD-Kamera, HD-Aufzeichnung
- Lichtsensor 2MP CMOS-Sensor
- G-Sensor Dreiachsen-Beschleunigungsmesser
- WiFi 2,4GHz 802,11 b/g/n
- Linse 152 Grad Weitwinkel-Fixfokus, F = 2,2
- Unterstützte Sprachen Englisch, Französisch, Deutsch, Italienisch & Spanisch
- Videoformat MP4
- Videoauflösung 1280x720/1920x1080 @30fps (16:9)
- Video-Codec. H.264
- Loop-Aufnahme mit nahtlosen 3-Minuten-Blöcken
- Automatisches Ein-/Ausschalten beim Ein-/Ausschalten des Fahrzeugs Unterstützt das Ein- und Ausschalten beim Anfahren und das Ausschalten beim Ausschalten des Fahrzeugs.
- Unterstützt Datumstempel
- Unterstützt werden Fotoauflösung: 2 MP
- Photo-Format JPEG
- Micro SD SDHC/XC (Klasse 10 bis max. 64 GB)
- MIC/ eingebauter Lautsprecher
- Unterstützt Eingebauter Superkondensator
- CPU Hisilicon Hi3516C_V200
- Frequenz 50HZ/60HZ
- USB unterstützt
- SOS-Sperrfunktion unterstützt
- Arbeitsspannung & Strom DC 5V/1A

Leitfaden zur Fehlerbehebung

Wenn unter normalen Betriebsbedingungen Probleme mit dem Gerät auftreten, wenden Sie sich bitte an die folgenden Methoden, um diese zu lösen.

Problem: Sie können keine Bilder oder Videos aufnehmen?

Lösung: • Diese Art von Problemen ist fast IMMER ein Problem, das mit der Speicherkarte zusammenhängt. Bitte prüfen Sie, ob auf der Mikro-SD genügend Platz vorhanden ist. Wie bereits erwähnt, ist einiges Filmmaterial schreibgeschützt und sammelt sich im Laufe der Zeit auf der SD-Karte an.

- Formatieren Sie die SD-Karte, um sicherzustellen, dass die Karte nicht mehr mit schreibgeschütztem Material gefüllt ist.
- Wenn das Gerät während der Aufnahme immer wieder automatisch stoppt oder wenn es sprunghaftes Material mit heruntergefallenen Bildern aufnimmt, kann dies an der Schreibgeschwindigkeit der SD-Karten liegen.
- Sie müssen eine Hochgeschwindigkeits-Mikro-SD-Karte verwenden. Um festzustellen, ob Sie die erforderliche Hochgeschwindigkeitskarte besitzen, prüfen Sie, ob sie das 'Micro SDHC/XC'-Logo auf der SD-Karte hat. Karten werden oft als HD-Video-fähig bezeichnet, aber das ist nicht immer wahr. Für die HD-Aufnahme ist eine Karte der Klasse 10 erforderlich, diese sollte irgendwo auf der Karte aufgedruckt sein.

Leitfaden zur Fehlerbehebung

BITTE BEACHTEN SIE: SD-Karten haben eine endliche Lebensdauer. Ihre Lebensdauer hängt davon ab, wie oft die Karte angeschrieben wird. Die SD-Karte wird sich mit der Zeit irgendwann abnutzen.

Die Dash Cams sind sehr starke Nutzer der SD-Karte, da sie ständig in den Speicher schreiben. Einige Karten haben eine längere Lebensdauer als andere. Die Karten mit der längsten Lebensdauer werden oft mit "ENDURANCE" oder "HEAVY DUTY" bezeichnet.

Leitfaden zur Fehlerbehebung

Problem: Die Klebefestigung bleibt nicht an der Windschutzscheibe

Lösung: • Stellen Sie sicher, dass die Windschutzscheibe sauber und frei von Verschmutzungen ist, verwenden Sie Glasreiniger oder einen Alkohol-Tausch zum Reinigen.

Problem: Die Dash-Cam lässt sich nicht einschalten

Lösung: • Überprüfen Sie, ob die Steckdose Strom hat, indem Sie ein anderes Gerät an dieselbe Steckdose anschließen, um zu sehen, ob es sich einschaltet
• Wenn die Steckdose Strom hat, dann überprüfen Sie die Sicherung in der Spitze des Netzteils.

Problem: Die Dashcam schaltet sich ab, wenn sie mit dem Fahrzeug verbunden ist, und der Akku wird nicht aufgeladen

Lösung: • Die Strichnocken haben keine Batterie, sondern einen Superkondensator.
• Die Strichnocke schaltet sich nur ein, wenn sie Strom aus der Steckdose erhält.

Leitfaden zur Fehlerbehebung

Problem: Die Batterie der Dash Cam hält nur wenige Sekunden, wenn die Stromversorgung unterbrochen wird

Lösung: • Diese Dash Cam hat keine Batterie, sondern einen Superkondensator.

- Der Superkondensator verfügt nur über genügend Strom, um die Dash Cam sicher abzuschalten, die letzte Datei bei Stromabschaltung sicher zu speichern und die Einstellungen beizubehalten.
- Die Dash-Cam ist so konzipiert, dass sie während der Benutzung jederzeit an die Stromversorgung angeschlossen werden kann.

Problem: Das Wifi scheint sich nicht zu verbinden / die Dash Cam verbindet sich nicht mit meiner Telefonlösung

Lösung: • Stellen Sie sicher, dass WiFi in den

Einstellungen Ihres Mobiltelefons eingeschaltet ist, und wählen Sie Ihre Dash-Cam aus der Geräteliste aus.

- Vergewissern Sie sich, dass Sie das richtige Passwort für das Gerät eingegeben haben (12345678).
- Wenn das Gerät immer noch nicht richtig angeschlossen ist, vergessen Sie die Dash Cam vom Telefon durch die Einstellungen, setzen Sie die Dash Cam zurück, starten Sie das Mobiltelefon neu und versuchen Sie es dann erneut.
- Überprüfen Sie, ob Ihr Telefon über die neueste Software-Aktualisierung verfügt und ob die App mit der neuesten Version aktualisiert wurde.

Leitfaden zur Fehlerbehebung

Problem: Die Dash Cam fühlt sich warm an, wenn sie in Betrieb ist

Lösung: • Es ist normal, dass sich die Dash-Cam bei typischer Verwendung warm anfühlt, insbesondere bei der Aufnahme von HD-Videos.

Problem: Die Dash Cam stoppt automatisch während der Aufnahme

Lösung: • Prüfen Sie, ob auf der Micro SD-Karte genügend Platz vorhanden ist.

• Stellen Sie sicher, dass die richtige Micro-SD-Karte verwendet wird, 8-64Gb Klasse 10 oder höher Micro SDHC/XC wird empfohlen. Andere Typen von Micro SD-Karten sind möglicherweise nicht für die Verwendung in Dash Cams geeignet.

• Wenn die richtige Micro-SD-Karte verwendet wird, formatieren Sie die Micro-SD-Karte in einem Computer.

• Micro-SD-Karten haben eine begrenzte Lebensdauer und werden mit der Zeit korrupt. Dies ist auf die Dauerschleifen-Aufnahmefunktion zurückzuführen. Wenn dies geschehen ist, müssen Sie Ihre Micro SD-Karte ersetzen.

Problem: Die Micro SD-Karte wird von der Dash Cam nicht erkannt

Lösung: • Formatieren Sie die Micro SD-Karte vor der Verwendung. Stellen Sie sicher, dass die Micro SD-Karte mit dem Gerät kompatibel ist, siehe Fehler "Die Dash Cam stoppt automatisch während der Aufnahme" oben.

Leitfaden zur Fehlerbehebung

Problem: Kann kein Video oder keine Bilder aufnehmen

Lösung: • Prüfen Sie, ob auf der Micro SD-Karte genügend Platz vorhanden ist. Wenn nicht, muss die Micro SD-Karte formatiert werden.

Problem: Meine Videos sind verschwommen, schmutzig oder verfärbt

Lösung: • Prüfen Sie, ob sich auf dem Kameraobjektiv Fingerabdrücke oder Schmutz befinden. Reinigen Sie sie bei Bedarf vor der Aufnahme mit einem weichen, trockenen Tuch.

• Entfernen Sie den transparenten Linsendeckel während der Installation.

Problem: Die Dash Cam ist eingefroren oder reagiert nicht auf die

Lösung: • Setzen Sie das Gerät zurück, indem Sie den Rückstellknopf einige Sekunden lang gedrückt halten und es erneut versuchen.

• Formatieren Sie die Micro SD-Karte in einem Computer.

Problem: Ungeklärte Fragen

Lösung: • Setzen Sie das Gerät zurück, indem Sie den Rückstellknopf einige Sekunden lang gedrückt halten und es erneut versuchen.

• Formatieren Sie die Micro SD-Karte in einem Computer.

• Sollte das Problem weiterhin bestehen, wenden Sie sich bitte an Ihren Gator-Service-Agenten für Ihr Land.

Sicherheitshinweise und Warnungen

Verwenden Sie die Dash Cam nicht unter feuchten Arbeitsbedingungen; die Dash Cam ist nicht wasserdicht. Versuchen Sie nicht, das Gehäuse zu öffnen oder die Dash Cam selbst zu reparieren.

Wenn die Dash Cam oder ihr Zubehör Probleme hat und noch unter Garantie steht, dann bringen Sie sie mit dem Original-Kaufbeleg an den Ort des Kaufs zurück.

Wenn die Garantiezeit abgelaufen ist, wenden Sie sich an den autorisierten Reparaturdienst, den Gator-Support.

Verwenden Sie zur Reinigung der Dash Cam keine chemischen Substanzen, keine Reinigungsmittel oder Reiniger, sondern verwenden Sie ein feuchtes, weiches Tuch, wenn Sie die Dash Cam reinigen möchten.

Verwenden Sie die Dash Cam nicht unter Bedingungen, bei denen Staub vorhanden ist.

Bitte achten Sie auf die Reinigung der Linsenoberfläche, verwenden Sie ein feuchtes, weiches Tuch zur Reinigung der Linse vor dem Gebrauch, um schlechte Videoaufnahmen zu vermeiden.

Verletzung der Copyright-Warnung

Bitte beachten Sie, dass dieses Produkt nur für den persönlichen Gebrauch bestimmt ist, die Art der Nutzung darf nicht gegen nationale oder internationale Urheberrechtsgesetze verstoßen. Auch aufgezeichnete Bilder, die nur für den persönlichen Gebrauch bestimmt sind, beachten Sie bitte, dass die Verwendung dieses Produkts zur Aufzeichnung von Aufführungen, Ausstellungen oder geschäftlichen Aktivitäten der Bilder in einigen Fällen das Urheberrecht oder andere gesetzliche Rechte und Interessen anderer verletzen kann.

Technische Unterstützung



For Australasian support

TEL: 03 – 8587 8898 FAX: 03 – 8587 8866

Mon-Fri 9am – 5pm AEST

EMAIL - service@gator.com.au

For European support

support.connects2.com/tickets/technical

Wenn Sie eine digitale Kopie dieses Handbuchs oder andere Gator-Handbücher/Software herunterladen möchten, besuchen Sie bitte die Website <http://gatordriverassist.com> und klicken Sie auf "Firmware & Handbücher", um Informationen darüber zu erhalten, wo Sie die Handbücher/Software finden.

Für PC-Benutzer steht auch eine Videoanwendung zum Herunterladen auf der Website zur Verfügung.

Dieses Handbuch wird zum Zeitpunkt des Drucks als korrekt angesehen, kann jedoch geändert werden. Die neuesten Handbücher und Aktualisierungen finden Sie auf der Website.

Urheberrecht © 2017 durch TDJ Australia
Alle Rechte vorbehalten. Kein Teil dieser Publikation darf in irgendeiner Form oder mit irgendwelchen Mitteln, einschließlich Fotokopien und Aufnahmen, reproduziert, verteilt oder übertragen werden, Kopieren oder andere elektronische oder mechanische Methoden, ohne vorherige schriftliche Genehmigung des Autors.

Please bewahren Sie dieses Benutzerhandbuch zum späteren Nachschlagen auf.

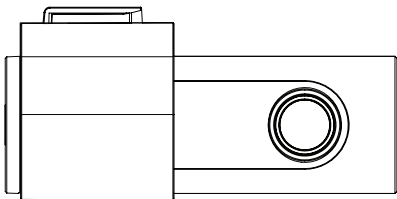


GATER 

GHDVR72W

GHDVR82W

Español Manual



Índice

Índice.....	2
Vídeo de introducción al manual del usuario.....	3
Resumen del producto.....	4
Características del producto.....	4
Contenido del sistema.....	5
Accesorios opcionales.....	6
Estructura del producto.....	7
Fijación de la Dash Cam.....	8
Instalación de la Dash Cam.....	8
Descarga de la App Wifi de la Dash Cam.....	10
Procedimiento de emparejamiento inicial (iPhone).....	11
Procedimiento de emparejamiento inicial (Android).....	13
Emparejamiento con éxito del dispositivo.....	14
Pantalla principal de la App de la Dash Cam.....	15
Ajustes de fecha y hora.....	16
Formatear la tarjeta SD.....	17
Descargar al teléfono.....	17
Opción de información.....	18
Reinicio de fábrica.....	18
Registro GPS.....	18
Especificaciones del producto.....	19
Guía de resolución de problemas.....	20
Información de seguridad y advertencias.....	26
Aviso sobre la infracción del copyright.....	27
Asistencia técnica.....	27

Vídeo de introducción al manual del usuario

Escanee este código QR para ver un vídeo de introducción al manual del usuario.



Alternativamente, puede buscar en YouTube “Gator GHDVR82W Instructional presentation”

<https://www.youtube.com/watch?v=q213vb2EIMw>

Tenga en cuenta que, aunque el vídeo explicativo ofrece información útil sobre el emparejamiento y a menudo es suficiente para que la mayoría de los clientes empiecen a utilizarlo, no abarca algunos de los detalles más complejos que hemos añadido recientemente a este manual debido a cambios en el sistema operativo en iPhone y Android que han alterado recientemente el comportamiento de algunos teléfonos. Por favor, asegúrese de haber leído el manual y las instrucciones del producto antes de su instalación y uso. Si no lo hace, el producto podría funcionar incorrectamente o la instalación podría inutilizar el dispositivo.

Resumen del producto

La Dash Cam Gator GHDVR72/82W ha sido diseñada para ofrecer grabaciones de alta definición de sus viajes por carretera con el fin de garantizar la seguridad y aportar pruebas en caso de accidente. Esta cámara se monta en el parabrisas y graba las imágenes en una tarjeta de memoria. Tiene una interfaz Wifi incorporada que se conecta de forma inalámbrica a su smartphone. Este dispositivo funciona a través de una interfaz de usuario en su teléfono inteligente mediante la aplicación Gator Dash Cam (que se descarga en Apple App Store o en Google Play Store).

Características del producto

- HD 1280x720 @ 30FPS/ FULL HD 1920x1080 @ 30FPS
- Objetivo gran angular HD de 152 grados
- Conexión Wifi disponible (2.4Ghz)
- Conexión Wifi a Smartphone mediante App gratuita
- Función de foto y vídeo por gestos de la mano
- Marca de hora y fecha
- Función de sensor G
- Modo de estacionamiento (se requiere de accesorio GHWCUSB2 opcional)
- Registro de datos GPS (se requiere de accesorio GPS7282W opcional)
- Supercondensador
- Soporte multilingüe
- Grabación en bucle sin interrupciones
- Interfaz mini USB/cargador USB para coche de 12V
- Soporte adhesivo para el coche
- Micrófono incorporado
- Tarjeta de memoria de 8GB (soporta tarjetas Micro SD clase 10 de hasta 64GB)

Contenido del sistema



Dash Cam Gator



Soporte para la
Dash Cam Gator



Cable de alimentación USB



Tarjeta de memoria



Cargador de coche/
Adaptador USB de alimentación

Accesorios opcionales

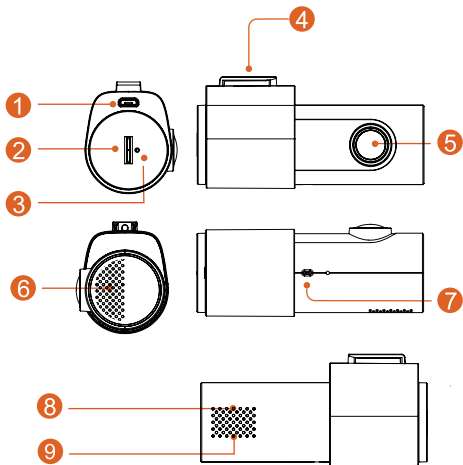
Receptor GPS USB (GPS7282W). Utilizado para la reproducción de la localización GPS en el mapa junto con la reproducción de vídeo.



Kit de cableado (GHWUSB2). Necesario para el funcionamiento del Modo Estacionamiento y para liberar el enchufe de 12V del vehículo para otros usos.

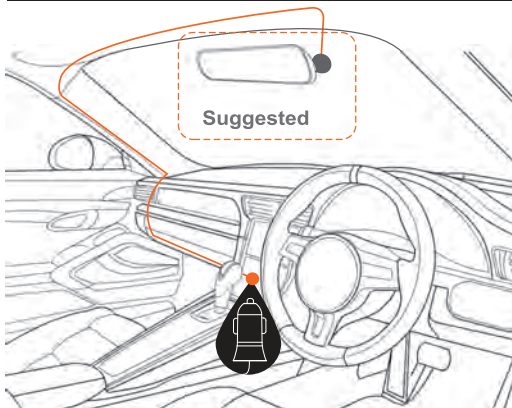


Estructura del producto



- | | |
|--------------------------------------|--|
| 1) Conector de alimentación | 6) Altavoz |
| 2) Ranura para la tarjeta micro SD | 7) Sensor de gestos de la mano |
| 3) Reinicio | 8) Indicador luminoso rojo (grabación) |
| 4) Punto de fijación para el soporte | 9) Indicador luminoso verde (conectado a Wifi) |
| 5) Objetivo de la cámara | |

Fijación de la Dash Cam



Instalación de la Dash Cam

1. Coloque el soporte en la Dash Cam deslizándolo en el punto de fijación. Oriente el dispositivo de manera que cuando lo fije al parabrisas, la toma USB quede en el lado derecho (mirando desde el interior del coche) y el objetivo en el izquierdo. El sensor de gestos de la mano apunta hacia abajo.
2. Fije el dispositivo en una parte limpia del parabrisas, por el centro, donde no obstaculice la visión (asegúrese de que el cristal esté MUY limpio para garantizar una buena

adherencia). En la mayoría de los casos, un lugar cercano al espejo retrovisor es el ideal. No instale el dispositivo cerca de un airbag (los airbags suelen situarse a lo largo de los lados exterior izquierdo y derecho del parabrisas).

3. Inserte la tarjeta Micro SD incluida en la Dash Cam.

4. Inserte el extremo del cable de alimentación mini USB en el enchufe mini USB de la Dash Cam. Conecte el enchufe USB de tamaño completo en la toma USB del adaptador de corriente. Inserte el adaptador de corriente en una toma de corriente de 12V que esté libre del vehículo. El cable de alimentación es lo suficientemente largo como para recorrer el forro del techo, bajar por el lateral y continuar por debajo y a través del tablero de instrumentos hasta la palanca de cambios, donde debe estar situada la toma de corriente de 12V del vehículo, como se muestra en el diagrama anterior.

5. Rote la dirección a la que apunta la cámara para que esté orientada hacia adelante y ligeramente hacia debajo de la línea de horizonte. Luego, usando la aplicación, podrá alinearla con exactitud para que sea visible $\frac{1}{4}$ del capó del vehículo en la parte inferior de la imagen suministrada por la cámara.

6. Gire la llave de encendido del vehículo colocándola en la posición de accesorios. La Dash Cam debería encenderse automáticamente. Escuchará un sonido cuando se conecte (algunas tomas de 12V solo funcionan con el motor en marcha).

7. Un LED rojo comenzará entonces a parpadear y empezará la grabación. La unidad graba vídeo en bloques pequeños. Cuando la tarjeta está llena, la unidad reemplazará las grabaciones más antiguas con el nuevo vídeo conforme se va grabando. El historial disponible dependerá por tanto del tamaño de la tarjeta SD.

8. La Dash Cam comenzará a grabar automáticamente cuando reciba energía del adaptador de corriente. Una vez que se desconecte la alimentación (cuando se apaga el coche), la cámara utilizará su supercondensador integrado para guardar el archivo actual y luego se apagará automáticamente.

Descarga de la App Wifi de la Dash Cam

En su teléfono Smartphone, abra la Google Play Store. En teléfonos iPhone, abra la App Store. Haga una búsqueda de **“Gator Dash Cam App”**

Tras descargar la App, no la ejecute todavía.

Gator ofrece diferentes Apps para varios dispositivos. DEBE descargar la App correcta para el suyo. El código de modelo de su dispositivo se menciona en la descripción de la App.

Procedimiento de emparejamiento inicial

Para iPhone,

1. Reinicie su teléfono (apáguelo completamente y luego arránquelo).
2. Vaya a los **AJUSTES** de su teléfono, luego entre en **PRIVACIDAD** y asegúrese de que los **SERVICIOS DE UBICACIÓN** están activados. También es una buena idea abrir el menú de los servicios de ubicación para asegurarse de que los servicios de ubicación para la App específica también están activados.
3. Asegúrese de que los **DATOS MÓVILES** del teléfono están **DESACTIVADOS** durante este procedimiento. Toque en el botón de ajustes, luego en móviles, debería ver este ajuste en la parte superior de la página.
4. Encienda su Dash Cam. En la mayoría de los casos, esto sucederá cuando gire la llave de contacto a la posición de accesorios y el conector de 12V reciba corriente. Si no, ponga en marcha el vehículo o arránquelo (pero no haga esto en una calzada pública).
5. Asegúrese de que no se están ejecutando otras Apps (incluyendo la App Gator Dash Cam), ciérrelas si fuera necesario. Vaya a los ajustes de Wifi y busque el punto de acceso Wifi cuyo nombre comience con el código de modelo de su dispositivo. Por ejemplo, si posee un **GHDVR82W**, aparecerá algo como esto:
GHDVR82W-O23Cd.
6. Seleccione la red e introduzca la contraseña **12345678** y luego conéctese. Su red Wifi debería tener ahora una marca junto a ella.

7. Abra la App "Gator Dash Cam". Recuerde que cada modelo de Dash Cam ejecuta su propia App. Asegúrese de utilizar la correcta. El modelo de su dispositivo se menciona en la descripción de la App.

8. Recientemente, las últimas actualizaciones del sistema operativo del iPhone solicitan que introduzca una "clave en DashCam ID" en la parte superior de la pantalla, y justo debajo aparecerá una zona blanca, bajo la Wifi, donde se puede introducir información. Si existe algo escrito en esa zona, bórralo, puede que aparezca algo así como GHDVR72/82. Bórralo y escriba EXACTAMENTE el nombre Wifi de la Dash Cam. En nuestro ejemplo, era **GHDVR82W-O23Cd**. Su nombre Wifi puede ser ligeramente distinto. Respete las minúsculas y mayúsculas, escribiéndolas exactamente igual.

Asegúrese de no confundir la letra o con el número cero, ni sus mayúsculas: o / O / 0. Esta confusión provocaría que no funcionase el proceso. Verifique también que utiliza el guion correcto -, y no un guion bajo, un espacio o cualquier otro símbolo entre **GHDVR82W** and the **O23Cd** del nombre Wifi (según el ejemplo).

Una vez que se ha introducido correctamente la **CLAVE WIFI de ID de la cámara**, haga clic en el botón azul de "OK" en la parte inferior de la pantalla. Seguidamente, puede que le solicite unirse. Haga clic en unirse, y ahora debería poder ver su Dash Cam en su teléfono.

Procedimiento de emparejamiento inicial

Para teléfonos Android

1. Reinicie su teléfono (apáguelo completamente, y vuélvalo a encender).
2. Asegúrese de que tiene activada la “**UBICACIÓN**” y apagados los “**DATOS MÓVILES**”. El método para acceder a estos ajustes suele ser arrastrar desde la parte superior de la pantalla hacia la parte inferior al menos 2 veces, y luego arrastrar de izquierda a derecha (o viceversa).
3. Asegúrese de que los **DATOS MÓVILES** estén **APAGADOS** a lo largo de este procedimiento.
4. Encienda la Dash Cam. En la mayoría de los casos, esto ocurre cuando coloca la llave de contacto en la posición de accesorios, y el conector de 12V recibe energía. Si no es así, arranque el vehículo o enciéndalo (pero no lo haga en una calzada pública).
5. Asegúrese de que no está ejecutándose ninguna otra App (incluyendo la App de Gator Dash Cam). Círrrelas si fuera necesario. Vaya a los ajustes Wifi y busque un nombre de punto de acceso Wifi que comience con el código de modelo de su dispositivo. Por ejemplo, si posee el modelo **GHDVR82W**, será algo parecido a **GHDVR82W-O23Cd**.
6. Seleccione la red e introduzca la contraseña **12345678** y luego conéctese. Su red Wifi debería aparecer ahora con la palabra “conectado” debajo en “red actual”. Su teléfono puede informarle de que “internet no está disponible”, “Conéctese a otra red o active los datos móviles” “Cambie

a datos móviles”, “Otra red”. Ignore este mensaje, desaparecerá en un par de segundos. Este aviso solo se refiere a la conexión Wifi entre el teléfono y la Dash Cam. Su conexión a internet sigue estando disponible a través del servicio de datos móviles mientras esté conectado a la cámara (excepto cuando realiza este emparejamiento inicial, pues los hemos desactivado).

7. Abra la App de “Gator Dash Cam”. Recuerde que cada Dash Cam funciona con su propia App. Asegúrese de que está utilizando la correcta, aparecerá su modelo en la descripción de la App. Debido a las actualizaciones recientes de Android, es posible que le pida que introduzca un **“CÓDIGO DE ENTRADA”** con 2 botones, uno llamado **“REPRODUCIR CÓDIGO”** y otro llamado **“Conectar a mi Dash Cam”**. Introduzca como código cuatro ceros, **0000**, y luego haga clic en el botón de **“Conectar a mi Dash Cam”**, no en el de **“Reproducir código”**. Ahora debería estar conectado y ser capaz de ver la imagen de vídeo de su cámara.

Después de emparejar con éxito sus dispositivos Wifi por primera vez

Tras el emparejamiento inicial de su dispositivo con la red Wifi de la Dash Cam, puede volver a activar los datos móviles. Para todos los emparejamientos futuros, ya no será necesario desactivar los datos móviles. Sin embargo, si tiene el problema de que parece que el teléfono no puede obtener datos del dispositivo, es posible que le sea útil probar a desactivar los datos móviles como una solución posible, o probar a reiniciar el teléfono.

Pantalla principal de la App de la Dash Cam



En el modo retrato se mostrará una imagen en directo de la Dash Cam en la parte superior de la pantalla del teléfono. Utilice esta imagen para ajustar el ángulo de la cámara, de tal forma que la parte baja de la imagen de la cámara muestre el final del capó del coche (alrededor de 1/4 de la longitud).

1. Para hacer una foto, presione el botón blanco en la parte inferior central de la pantalla.
2. Para acceder a los vídeos de la Dash Cam, presione el icono de la videocámara en la parte inferior izquierda de la pantalla.
3. Para acceder a los ajustes de la Dash Cam, presione el icono de engranaje en la parte inferior derecha de la pantalla.

Ajustes de fecha y hora

Para ajustar la fecha y la hora, haga clic en el icono de engranaje y desplácese hacia abajo hasta leer “sincronizar la hora del teléfono móvil con el dispositivo”. Haga clic en esta opción y así ajustará el tiempo de la Dash Cam con el de su teléfono móvil. Se le proporcionará un mensaje de confirmación.

Formatear la tarjeta SD

Debe realizar esta operación al menos cada 2 o 3 meses
Puede formatear su tarjeta SD haciendo clic en la opción “Gestionar la tarjeta TFT”, que encontrará al final del listado del menú. Se le pedirá confirmación antes de efectuar el formateo. Se recomienda que realice esta acción para mantener la tarjeta en buen estado de funcionamiento y asegurarse de que purga cualquier vídeo bloqueado que se pudiera haber guardado en el pasado y que ya no necesite, ocupando un espacio innecesario. Nota: Haga una copia de seguridad de los archivos que desea mantener antes del formatear, ya que este proceso borrará **TODOS** los archivos de la tarjeta SD.

Descargar al teléfono

Para descargar vídeos al teléfono, haga clic en el icono de la videocámara. Si tiene muchos vídeos, puede llevar algo de tiempo la aparición de las imágenes en la pantalla, pareciendo vacía al comienzo. Tenga paciencia, las imágenes de los vídeos se mostrarán en un minuto. Luego, haga clic en la palabra “**SELECCIONAR**” en la parte superior derecha de la pantalla, y luego seleccione las imágenes de los vídeos que quiere descargar a su teléfono. Seguidamente, haga clic en la flecha que apunta hacia abajo en la parte superior izquierda de la pantalla. Es necesario ser paciente mientras se descargan los vídeos. Cuantos más vídeos seleccione, más tiempo tardarán en descargarse. Tenga en cuenta que las grabaciones están en Alta Definición y son bastante largas (asegúrese de que hay suficiente espacio en su teléfono).

Opción de información

Muestra el número de versión de la App, del firmware, el idioma y la configuración de la unidad de velocidad.

Reinicio de fábrica

Para reiniciar el dispositivo con la configuración original en caso de que el sistema se bloquee o colapse. Inserte el extremo fino de un clip en el orificio de reinicio situado al lado de la entrada de la tarjeta micro SD.

Registro GPS

Con la opción (cable receptor GPS7282W)

Los datos de geolocalización GPS se graban automáticamente en los archivos de vídeo cuando está instalado el cable receptor GPS7282W.

Para reproducir vídeos y ver un mapa en directo de localización, necesitará descargar el visor VideoPlay 1.0.0.1. Esta App solo está disponible en plataformas PC.

Se puede descargar en:

[www.tdj.com.au/firmware/Gator/DVR DashCams/
GHDVR72W-GHDVR82W](http://www.tdj.com.au/firmware/Gator/DVR%20DashCams/GHDVR72W-GHDVR82W)

ATENCIÓN: Para evitar posibles interferencias en la señal GPS, asegúrese de que la Dash Cam está lejos de cualquier otro equipo de audio del vehículo.

Especificaciones del producto

- ❑ Cámara HD, grabación HD
- ❑ Sensor de luz: Sensor CMOS de 2MP
- ❑ Sensor G: acelerómetro de tres ejes
- ❑ Wifi 2.4GHz 802.11 b/g/n
- ❑ Objetivo gran angular de 152 grados y enfoque fijo, F = 2.2
- ❑ Idiomas soportados:
Inglés, francés, alemán, italiano y español
- ❑ Formato de vídeo: MP4
- ❑ Resolución de vídeo 1280x720/1920x1080 @30fps (16:9)
- ❑ Códec de vídeo. H. 264
- ❑ Grabación en bucle en bloques de 3 minutos sin interrupciones
- ❑ Apagado/encendido automáticos con el arranque/apagado del vehículo
- ❑ Soporta el encendido cuando se arranca el coche y el apagado cuando se apaga el motor
- ❑ Soporta la impresión de la fecha
- ❑ Resolución de las imágenes estáticas: 2 MP
- ❑ Formato de las fotos: JPEG
- ❑ Micro SD SDHC/XC (Clase 10 hasta un máximo de 64GB)
- ❑ Soporta micrófono/ altavoz integrado
- ❑ Supercondensador integrado
- ❑ CPU Hisilicon Hi3516C_V200
- ❑ Frecuencia 50HZ/60HZ
- ❑ Soporta USB
- ❑ Soporta función de bloqueo de emergencia
- ❑ Voltaje y corriente de trabajo DC 5V/1At

Guía de resolución de problemas

Bajo condiciones operativas normales, si existen problemas con el dispositivo, por favor consulte los métodos siguientes para resolverlos.

Problema: No se pueden hacer fotos o grabar vídeo.

Solución: • Este tipo de problema casi SIEMPRE está relacionado con la tarjeta de memoria. Por favor compruebe que hay suficiente espacio en la micro SD. Como se ha mencionado anteriormente, algunas grabaciones pueden protegerse frente a escritura y se acumulan en la tarjeta SD con el tiempo.

- Formatee la tarjeta SD para asegurarse de que la tarjeta ya no está llena de grabaciones protegidas frente a escritura.
- Si es dispositivo no deja de detenerse automáticamente mientras graba o las grabaciones presentan saltos con pérdidas de cuadros, esto puede deberse a la velocidad de escritura de la tarjeta SD.
- Debe utilizar una tarjeta micro SD de alta velocidad. Para saber si tiene una tarjeta con la velocidad requerida, compruebe que aparece el logotipo de “Micro SDHC/XC” en la tarjeta SD. Las tarjetas a menudo se etiquetan como aptas para vídeo HD, pero eso no siempre es cierto. La grabación HD requiere de una tarjeta de clase 10, lo cual debe aparecer en la propia tarjeta en algún sitio.

Guía de resolución de problemas

TENGA EN CUENTA: Las tarjetas SD tienen una vida limitada, la cual se basa en las veces en las que se escribe en ellas. La tarjeta SD se gastará en algún momento con el tiempo.

Las cámaras para coche utilizan intensamente la tarjeta SD porque están escribiendo constantemente en ella. Algunas tarjetas tienen una vida útil más larga que otras. Las más duraderas a menudo están etiquetadas como “GRAN DURACIÓN” o “ALTA RESISTENCIA”

Guía de resolución de problemas

Problema: El soporte adhesivo no queda fijado al parabrisas

Solución: • Asegúrese de que el parabrisas está limpio y sin residuos. Utilice un limpiacristales o alcohol para su limpieza.

- Asegúrese de que la película plástica se ha retirado de la almohadilla adhesiva.
- Al montarlo, sujete el soporte firmemente al parabrisas durante al menos 60 segundos.

Problema: La Dash Cam no se enciende.

Solución: • Compruebe que el conector recibe corriente enchufando otro dispositivo en el mismo para ver si se enciende.

- Si el conector tiene corriente, compruebe el fusible en la punta del adaptador de corriente.

Problema: la Dash Cam se apaga cuando se conecta al vehículo y la batería no carga

Solución: • La Dash Cam no tiene batería, sino un supercondensador.

- La Dash Cam solo se enciende cuando recibe corriente del conector.

Problema: La batería de la Dash Cam solo dura unos pocos segundos cuando se desconecta la alimentación

Solución: • Esta Dash Cam no tiene batería, sino un supercondensador.

Guía de resolución de problemas

- El supercondensador solo contiene suficiente energía como para apagar con seguridad la Dash Cam, guardar el último archivo al desconectar la corriente y almacenar los ajustes.
- La Dash Cam está diseñada para estar conectada a la fuente de alimentación en todo momento cuando se usa.

Problema: Parece que la red Wifi no se conecta / La Dash Cam no se conecta a mi teléfono

Solución: • Asegúrese de que la Wifi está activada en los ajustes del teléfono móvil y seleccione la Dash Cam en la lista de dispositivos

- Asegúrese de que ha introducido la contraseña correcta para el dispositivo (12345678).
- Si el dispositivo todavía no se conecta correctamente, olvide la Dash Cam del teléfono a través de los ajustes, reinicie la Dash Cam, reinicie el teléfono móvil e inténtelo de nuevo.
- Compruebe que su teléfono tiene instalada la última actualización y también que la App ha sido actualizada a la última versión.

Problema: La Dash Cam se calienta mientras está funcionando

Solución: • Es normal que la Dash Cam esté ligeramente caliente con un uso típico, especialmente cuando está grabando vídeo HD.

Guía de resolución de problemas

Problema: La Dash Cam se detiene automáticamente mientras graba

Solución: • Compruebe si hay espacio libre en la tarjeta micro SD

• Asegúrese de que se está utilizando la tarjeta micro SD correcta. Se recomienda una tarjeta micro SDHC/XC de clase 10 o superior con una capacidad de entre 8 y 64Gb. Otros tipos de tarjetas micro SD pueden no ser adecuadas para la Dash Cam.

• Si se está utilizando la tarjeta micro SD correcta, formatee la tarjeta micro SD en una computadora.

• Las tarjetas micro SD tienen una vida útil limitada y se corrompen tras un periodo de tiempo. Esto se debe a la función de grabación en bucle continuada. Si ha ocurrido esto, tendrá que reemplazar la tarjeta micro SD.

Problema: La Dash Cam no reconoce la tarjeta micro SD

Solución: • Formatee la tarjeta micro SD antes de su utilización. Asegúrese de que la tarjeta micro SD es compatible con el dispositivo, vea el problema anterior "La Dash Cam se detiene automáticamente mientras graba".

Problema: No se puede grabar vídeo o hacer fotos

Solución: • Compruebe que exista suficiente espacio en la tarjeta micro SD. Si no es así, será necesario formatear la tarjeta micro SD.

Guía de resolución de problemas

Problema: Los archivos de vídeo no se pueden reproducir en el PC

Solución: • Los archivos de vídeo de la Dash Cam están en formato .MOV y puede que no sean compatibles con su PC si no tiene instalado el software de reproducción adecuado.

Problema: Mis vídeos se ven borrosos, sucios o descoloridos

Solución: • Compruebe si hay huellas digitales o suciedad en el objetivo de la cámara. Si es necesario, límpielo con un paño suave y seco antes de grabar.

• Elimine la tapa transparente del objetivo durante la instalación.

Problema: La Dash Cam está congelada o no responde

Solución: • Reinicie la unidad manteniendo pulsado el botón de reinicio durante unos segundos e inténtelo de nuevo.

• Formatee la tarjeta micro SD en una computadora.

Problema: Cuestiones no resueltas

Solución: • Reinicie la unidad manteniendo pulsado el botón de reinicio durante unos segundos e inténtelo de nuevo.

• Formatee la tarjeta micro SD en una computadora.

• Si el problema persiste, por favor contacte a su agente del servicio Gator de su país.

Información de seguridad y advertencias

No utilice la Dash Cam en entornos de trabajo húmedos, la Dash Cam no es resistente al agua.

No trate de abrir la carcasa o reparar usted mismo la Dash Cam.

Si la Dash Cam o sus accesorios presentan algún problema y la garantía está vigente, llévela al lugar donde la adquirió adjuntando el recibo de compra.

Si está fuera de garantía, contacte con un servicio técnico autorizado, Soporte Gator.

No utilice productos químicos, disolventes de limpieza o limpiadores para limpiar la Dash Cam. Por favor, utilice un paño suave ligeramente húmedo si quiere limpiarla.

No utilice la Dash Cam en entornos polvorientos.

Por favor, preste atención a la hora de limpiar la superficie del objetivo. Utilice un paño suave y húmedo para limpiar la lente antes de su uso para evitar una grabación de vídeo de baja calidad.

Aviso sobre la infracción del copyright

Por favor, tenga en cuenta que este producto está destinado exclusivamente al uso personal. La utilización del mismo no debe infringir las leyes de protección de derechos de autor nacionales e internacionales. Incluso si las imágenes grabadas son para un uso personal exclusivo, por favor tenga en cuenta que en algunos casos el utilizar este producto para grabar espectáculos, exhibiciones o realizar actividades empresariales con las imágenes puede infringir los derechos de copyright u otros derechos legales e intereses de terceros.

Asistencia técnica



For Australasian support

TEL: 03 – 8587 8898 FAX: 03 – 8587 8866

Mon-Fri 9am – 5pm AEST

EMAIL - service@gator.com.au

For European support

support.connects2.com/tickets/technical

Si desea descargar una copia digital de este manual, o de otros manuales/software de Gator, por favor visite el sitio web <http://gatordriverassist.com> y haga clic en "Firmware & Manuals" para obtener información sobre dónde encontrar los manuales/software.

Para los usuarios de PC también hay disponible una aplicación de visualización de video para descargar desde el sitio web.

Este manual se considera correcto en el momento de su impresión pero está sujeto a cambios. Para ver los últimos manuales y actualizaciones, consulte el sitio web.

Copyright © 2017 por TDJ Australia

Todos los derechos reservados. Ninguna parte de esta publicación puede ser reproducida, distribuida o transmitida de ninguna forma o por ningún medio, incluyendo fotocopias, grabaciones, copia u otros métodos electrónicos o mecánicos, sin el permiso previo por escrito del autor.

Por favor, guarde este manual del usuario para futuras referencias.

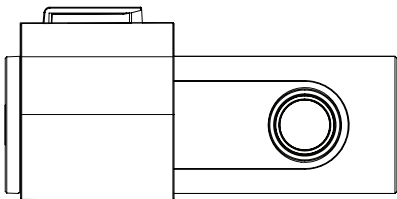


GATER 

GHDVR72W

GHDVR82W

Italiano Manuale



Indice

Indice.....	2
Video introduttivo – Guida all'uso.....	3
Descrizione del prodotto.....	4
Caratteristiche del prodotto.....	4
Contenuti del sistema.....	5
Accessori opzionali.....	6
Struttura del prodotto.....	7
Posizionare la Dash Cam.....	8
Installazione della Dash Cam.....	8
Download dell'Applicazione Dash Cam WiFi.....	10
Prima procedura di accoppiamento e connessione (iPhone).....	11
Prima procedura di accoppiamento e connessione (Android).....	13
Connessione avvenuta con successo al tuo dispositivo.....	14
Schermata principale dell'App Dash Cam.....	15
Impostazioni data e ora.....	16
Formattazione scheda di memoria SD.....	17
Download sul tuo telefono.....	17
Impostazione delle informazioni.....	18
Reset di fabbrica.....	18
Registratore GPS (GPS logger).....	18
Specifiche del prodotto.....	19
Guida alla risoluzione dei problemi.....	20
Informazioni sulla sicurezza e segnalazioni.....	26
Avvertimento sulla violazione del Copyright.....	27
Assistenza tecnica.....	27

Video introduttivo – Guida all'uso

Scannerizza questo QR Code per guardare un video introduttivo come guida all'uso.



Altrimenti, puoi cercare su YouTube
“Gator GHDVR82W Instructional presentation”

<https://www.youtube.com/watch?v=q213vb2EIMw>

Per favore, fai attenzione che mentre il video di istruzioni ha buone informazioni sull'accoppiamento e connessione dei dispositivi e spesso è sufficiente per la maggior parte dei clienti, non include alcuni dei più complessi dettagli che abbiamo aggiunto recentemente in questo manuale, dati i cambiamenti sui sistemi operativi Android e iPhone che hanno modificato il comportamento di alcuni telefoni. Per favore assicurati di aver letto il manuale del prodotto e le istruzioni prima dell'installazione e dell'uso. In caso contrario, questo potrebbe comportare uno scorretto funzionamento del prodotto o una sbagliata installazione che potrebbe rendere il dispositivo inutilizzabile.

Descrizione del prodotto

Gator GHDVR72/82W Dash Cam è stata ideata per offrire registrazioni ad alta definizione dei tuoi viaggi in macchina per sicurezza e testimonianza in caso di incidenti. La Dash Cam si posiziona sul parabrezza e registra il filmato su una memory card. È stata costruita con interfaccia WiFi per connettersi in modalità wireless al tuo smartphone. Questo dispositivo funziona attraverso un'interfaccia utente sul tuo smartphone grazie all' App Gator Dash Cam. (che è possibile scaricare dall'Apple App Store o dal Google Play Store).

Caratteristiche del prodotto

- HD 1280x720 @ 30FPS/ FULL HD 1920x1080 @ 30FPS
 - Obiettivo grandangolare 152 gradi HD
 - Abilitato per il WiFi (2.4Ghz)
 - WiFi Via free App sullo Smartphone
 - Funzione hand gesture foto e video
 - Indicazione di data e ora
 - Funzione G-Sensor
 - Modalità parcheggio (richiesto optional GHWCUSB2)
 - Registrazione dati GPS (richiesto optional GPS7282W)
 - Super condensatore
 - Supporto multi-lingua
 - Ininterrotta registrazione ciclica (in loop)
 - Interfaccia Mini USB / 12V in-car alimentatore USB
 - Adesivo di supporto per automobile
 - Microfono integrato
 - 8GB Memory card
- (Supporta scheda di memoria Micro SD class10 fino a 64GB)

Contenuti del sistema

Gator Dash Cam

Supporto di montaggio
Gator Dash Cam

Cavo di alimentazione USB



Memory card

Caricabatteria per auto /
Adattatore di alimentazione USB

Accessori opzionali

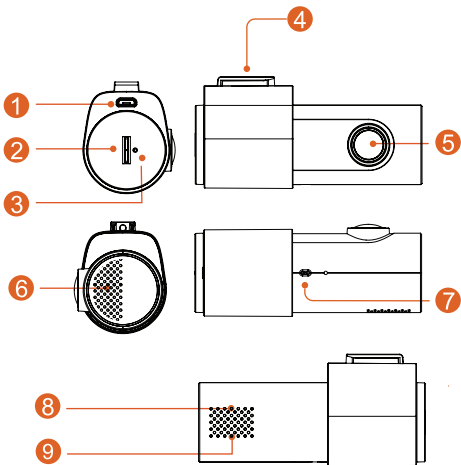
Ricevitore di GPS USB (GPS7282W) utilizzato per la localizzazione della posizione GPS sulla mappa con registrazione video.



Hardwire Kit. (GHWCUSB2) Necessario per la Modalità Parcheggio e per liberare la presa di alimentazione 12V dei veicoli per altri usi.

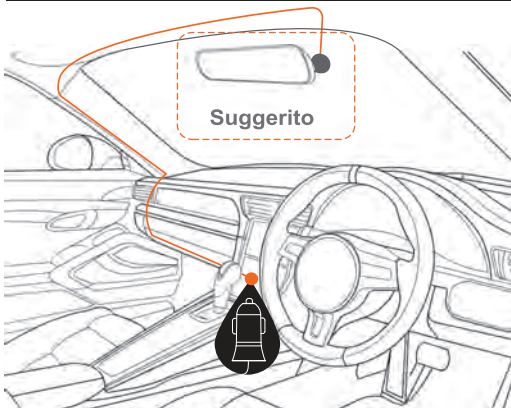


Struttura del prodotto



- | | |
|---|--|
| 1) Presa di alimentazione | 6) Speaker |
| 2) Slot per scheda di memoria Micro SD | 7) Sensore hand gesture |
| 3) Reset | 8) Indicatore di luce rossa (in registrazione) |
| 4) Punto di fissaggio per supporto di montaggio | 9) Indicatore di luce verde (WiFi connesso) |
| 5) Lente della camera | |

Posizionare la Dash Cam



Installazione della Dash Cam

1. Posiziona il supporto di montaggio della Dash Cam facendolo scorrere sul punto di fissaggio. Orienta il dispositivo in modo che, quando è attaccato al parabrezza, la presa USB si trovi sulla parte destra (punto di vista interno all'auto) e la lente della camera sulla sinistra. Il sensore Hand Gesture è rivolto verso il basso.
2. Fissa il dispositivo su una parte pulita del parabrezza, verso il centro, in modo che la visione non sia ostruita.

(Assicurati che il punto del parabrezza sia molto pulito di modo che l'adesivo funzioni correttamente). Nella maggior parte dei casi, è ideale posizionarlo vicino allo specchietto retrovisore. Non installare il dispositivo vicino all'airbag (Gli airbag sono spesso installati lungo i lati destro e sinistro del parabrezza).

3. Inserisci la scheda di memoria Micro SD all'interno della Dash Cam.
4. Inserisci la fine del cavo di alimentazione dentro la presa Mini USB della Dash Cam. Connetti la spina del full-size USB dentro la presa USB dell'adattatore di alimentazione, inserisci l'adattatore di alimentazione nella presa elettrica 12V del veicolo. Il cavo di alimentazione è lungo abbastanza da poter passare sopra la linea della testa, seguendo il montante A, attraverso il tunnel di trasmissione e sotto la Dash, dove dovrebbe trovarsi la presa elettrica 12V del veicolo, come mostrato nella figura sopra.
5. Ruota la direzione della Camera in modo che sia rivolta in avanti e leggermente verso il basso rispetto alla linea dell'orizzonte. Più tardi, usando l'App, potrai allinearla esattamente per far sì che $\frac{1}{4}$ del cofano del veicolo sia visibile alla base dell'immagine registrata dalla Camera.
6. Accendi il veicolo (per gli accessori), la Dash Cam dovrebbe accendersi automaticamente, sentirai un suono riconoscibile una volta accesa (Alcune prese elettriche 12V richiedono l'accensione).
7. Una luce rossa inizierà a lampeggiare e la registrazione avrà inizio. L'unità registra il filmato in piccoli blocchi. Quando la scheda di memoria è piena, l'unità rimpiazza le

vecchie registrazioni con i nuovi filmati, nell'ordine in cui vengono registrati. La quantità e la lunghezza cronologica dipende dalla capacità della scheda di memoria SD.

8. La Dash Cam inizia a registrare automaticamente quando riceve elettricità dall'alimentatore. Una volta che l'elettricità viene meno (quando si spegne il veicolo), la Dash Cam utilizza il suo super condensatore per salvare il file corrente e si spegne da sola.

Download dell'Applicazione Dash Cam WiFi

Sul tuo Smartphone Android, cerca il Google Play Store. Per iPhone cerca App Store. Cerca **“Gator Dash Cam App”**

Dopo aver scaricato l'App, non aprirla subito.

Gator ha diverse App per differenti dispositivi. DEVI scaricare l'App corretta per il tuo dispositivo. Il numero di modello del tuo dispositivo è menzionato nella descrizione dell'App.

Prima procedura di accoppiamento e connessione

Per iPhone,

1. Riavvia il tuo telefono (spegnilo completamente e poi riavvialo).
2. Vai nelle **IMPOSTAZIONI** del tuo telefono, poi in **PRIVACY**, assicurati che i **SERVIZI DI LOCALIZZAZIONE** siano accesi. È inoltre consigliato andare nel menu dei servizi di localizzazione per assicurarsi che i servizi di localizzazione delle App siano selezionati.
3. Assicurati che i **DATI MOBILI** del tuo telefono siano **SPENTI** durante questa procedura. Seleziona il pulsante Impostazioni, quindi Rete Mobile e si dovrebbe vedere questa impostazione nella parte superiore della pagina.
4. Accendi la tua Dash Cam. Nella maggior parte dei casi avviene quando giri la chiave nella posizione che accende gli accessori e la presa di alimentazione 12V del veicolo riceve elettricità. Altrimenti accendi l'auto (ma non farlo in una strada pubblica).
5. Assicurati che nessun'altra App sia aperta (inclusa la Gator Dash Cam App) e chiudile se necessario. Vai sulle impostazioni del WiFi e cerca per un punto di accesso WiFi dal nome che inizia con il numero di modello del tuo dispositivo. Per esempio, se hai **GHDVR82W**, sarà circa **GHDVR82W-O23Cd**.
6. Seleziona quel punto d'accesso e inserisci la password **12345678** e seleziona connetti. Il WiFi dovrebbe ora essere collegato e funzionante, confermato da una spunta sulla destra.

7. Apri l'Applicazione "Gator Dash Cam". Ricorda che ciascuna Dash Cam funziona con la propria App. Il modello del tuo dispositivo è menzionato nella descrizione dell'App.

8. In tempi recenti, gli ultimi aggiornamenti sul sistema operativo iPhone chiedono di inserire una "chiave DashCam ID" in alto sullo schermo, subito al di sotto ci dovrebbe essere un'area bianca sotto WiFi per scrivere. Se trovi già scritto, cancella, potrebbe essere qualcosa come GHDVR72/82.

Cancellalo e scrivi l'ESATTA dicitura del nome del WiFi della Dash Cam, nel nostro esempio era GHDVR82W-O23Cd. Il nome del tuo WiFi potrebbe essere leggermente differente. Assicurati di inserire Maiuscole e Minuscole.

Non confondere o / O / 0 maiuscolo e minuscolo o il numero 0 con la lettera perchè non funzionerebbe.

Assicurati inoltre di usare – e non _ e che non ci sia spazio tra **GHDVR82W** and the **O23Cd** del WiFi.

Una volta che **WIFI KEY Cam ID** è stata inserita correttamente, clicca sul pulsante blu "OK" sul fondo dello schermo, potrebbe chiederti di fare clic su Associa (Entra). Clicca Associa (Entra), ora dovresti essere in grado di vedere la tua Dash Camera sul tuo telefono.

Prima procedura di accoppiamento e connessione

Per telefoni Android

1. Riavvia il tuo telefono (spegnilo completamente e poi riavvialo).
2. Assicurati che hai la “**LOCALIZZAZIONE**” accesa e i tuoi “**DATI MOBILI**” spenti. La procedura di accesso a questa impostazione si trova spesso scorrendo con il dito verso il basso dall'alto dello schermo, al massimo due volte e poi scorrendo da sinistra a destra (o da destra a sinistra).
3. Assicurati che i tuoi **DATI MOBILI** siano **SPENTI** durante questa procedura.
4. Accendi la tua Dash Cam. Nella maggior parte dei casi avviene quando giri la chiave nella posizione che accende gli accessori e la presa di alimentazione 12V del veicolo riceve elettricità. Altrimenti accendi l'auto (ma non farlo in una strada pubblica).
5. Assicurati che nessun' altra App sia aperta (inclusa la Gator Dash Cam App) e chiudile se necessario. Vai sulle impostazioni del WiFi e cerca per un punto di accesso WiFi dal nome che inizia con il numero di modello del tuo dispositivo. Per esempio, se hai **GHDVR82W**, sarà circa **GHDVR82W-O23Cd**.
6. Seleziona quel punto d'accesso e inserisci la password **12345678** e seleziona connetti. Il WiFi dovrebbe ora essere collegato e funzionante, confermato da una spunta sulla destra. Il tuo punto d'accesso WiFi dovrebbe avere la parola “Connesso” nella parte sotto “Punto d'accesso (network) corrente”. Il tuo telefono potrebbe avvisarti che “Internet non è disponibile” “Connetti a un altro punto d'accesso o accendi i dati mobili” “Cambia su dati mobili”

“Altro punto d'accesso”. Ignora questo messaggio, andrà via in un paio di secondi. Questo avviso riguarda la connessione WiFi tra il telefono e la Dash Cam. Internet è comunque disponibile attraverso i tuoi dati mobili mentre sei connesso alla Dash Cam (Ad eccezione di quando fai questa procedura iniziale per la prima volta, in questo caso i dati mobili saranno disabilitati).

7. Apri l'Applicazione “Gator Dash Cam” . Ricorda che ciascuna Dash Cam funziona con la propria App. Assicurati di utilizzare l'applicazione corretta. Il modello del tuo dispositivo è menzionato nella descrizione dell'App. In occasione di recenti aggiornamenti Android ti potrebbe essere richiesto di inserire un **“INPUT CODE (CODICE)”** con 2 pulsanti, uno chiamato: **“PLAY CODE”** e un altro chiamato **“Connetti la Mia Dash Cam”** Inserisci 4 zeri come codice, **0000**, poi clicca su **“Connetti la Mia Dash Cam”** , non il pulsante **“Play Code”**. Dovresti ora essere connesso e in grado di vedere le tue immagini video della Dash Camera.

Dopo il primo abbinamento WiFi del tuo dispositivo avvenuto con successo

Dopo il primo abbinamento/connessione del tuo dispositivo al WiFi della Dash Cam puoi riattivare i tuoi dati mobili. Per tutti i successivi accoppiamenti non avrai bisogno di disabilitare i tuoi dati mobili. Se hai un problema riguardante la ricezione dati tra il telefono e il dispositivo puoi provare a disabilitare i dati mobili come possibile rimedio o provare a riavviare il tuo telefono.

Schermata principale dell'App Dash Cam



Quanto ti trovi in modalità ritratto un'immagine live della Dash Camera sarà visibile nella parte alta dello schermo del telefono. Usa questa immagine per aggiustare l'angolo della Camera per fare in modo che la parte bassa della Camera possa vedere la fine del cofano dell'auto (circa $\frac{1}{4}$ della sua lunghezza).

1. Per scattare una foto, premi il pulsante bianco nel centro basso dello schermo.
2. Per accedere ai video della Dash Cam, premi l'icona della videocamera nella parte in basso a sinistra del tuo schermo.
3. Per accedere alle impostazioni della Dash Cam, premi l'icona con l'ingranaggio delle impostazioni nella parte in basso a destra del tuo schermo.

Impostazioni data e ora

Per impostare l'ora e la data, clicca sull'icona dell'ingranaggio e scorri giù fino a quando trovi la dicitura "Sincronizza l'ora del cellulare al dispositivo". Clicca su questa opzione e potrai vedere lo stesso orario nella Dash Cam e sul tuo cellulare. Inoltre verrà visualizzato un messaggio di conferma.

Formattazione scheda di memoria SD

Dovresti farlo almeno ogni 2 o 3 mesi

Puoi formattare la tua scheda di memoria SD cliccando su “Gestisci la TFT card” che è quasi alla fine del menu. Ti chiederà di confermare prima di formattare. Si raccomanda di eseguire questa operazione per mantenere buone le condizioni della scheda di memoria, per liberare spazio e cancellare eventuali vecchi filmati salvati in passato, di cui non si ha più bisogno. Ricorda: fai il back up di file che vorresti tenere prima di formattare, con la formattazione si elimineranno TUTTI i file sulla scheda di memoria SD.

Download sul tuo telefono

Per scaricare video sul tuo telefono, clicca sull'icona della Camera. Se hai molti video, potrebbe richiedere un pochino di tempo prima del caricamento delle immagini sul tuo schermo, potrebbe apparire vuoto all'inizio, sii paziente, i filmati appariranno dopo poco. Poi clicca sulla parola “**SELEZIONA**” in alto a destra del tuo schermo, a questo punto seleziona quale video vuoi scaricare sul tuo telefono e clicca sulla freccia verso il basso in alto a sinistra dello schermo. Ci vorrà un attimo di pazienza durante il download, più video saranno selezionati più l'operazione di download richiederà tempo. Per favore tieni a mente che questi filmati sono in Alta definizione e i file sono piuttosto pesanti. (Assicurati che ci sia abbastanza spazio sul tuo telefono).

Impostazione delle informazioni

Mostra il numero di versione dell'App, il numero di versione del firmware, le Lingue disponibili e le impostazioni dell'unità di misura della Velocità.

Reset di fabbrica

Per resettare il dispositivo e reimpostare le impostazioni originali nel caso di crash del sistema. Inserisci una graffetta dalla punta fine nel buco del reset vicino all'input della Micro SD.

Registratore GPS

Con l' optional (GPS7282W cavo ricevitore)

La geolocalizzazione del GPS è automaticamente salvata nei file video quando il cavo ricevitore GPS7282W è installato. Per riprodurre video con la visione live map, dovrai scaricare VideoPlay 1.0.0.1 viewer. Questa App è solo per PC. L'App è disponibile su:

[www.tdj.com.au/firmware/Gator/DVR DashCams/
GHDVR72W-GHDVR82W](http://www.tdj.com.au/firmware/Gator/DVR%20DashCams/GHDVR72W-GHDVR82W)

ATTENZIONE: Per eliminare ogni possibile interferenza di segnale GPS, assicurati che la Dash Cam sia lontana da ogni altro accessorio del veicolo.

Specifiche del prodotto

- HD Camera, HD recording
- Sensori di luce 2MP CMOS sensor
- Accelerometro a tre assi con sensore G
- WiFi 2.4GHz 802.11 b/g/n
- Lente 152 gradi obiettivo grandangolare a fuoco fisso
- Lingue supportate
Inglese, Francese, Tedesco, Italiano & Spagnolo
- Formato video MP4
- Risoluzione video 1280x720/1920x1080 @30fps (16:9)
- Video codec. H. 264
- Registrazione a ciclo continuo con blocchi da tre minuti
- Auto accensione/spegnimento mentre il veicolo si accende/spegne. Supporto di accensione mentre il veicolo si accende e spegnimento mentre il veicolo si spegne
- Indicazione di data
- Risoluzione immagini fisse: 2 MP
- Formato foto JPEG
- Micro SD SDHC/XC (Class 10 fino a 64GB Max)
- Microfono integrato
- Super condensatore integrato
- CPU Hisilicon Hi3516C_V200
- Frequenza 50HZ/60HZ
- Porta USB
- Funzione di blocco SOS
- Tensione di funzionamento e corrente DC 5V/1A

Guida alla risoluzione dei problemi

In condizioni operative normali, se si riscontrano dei problemi con il dispositivo, per favore si faccia riferimento ai seguenti metodi per una possibile risoluzione.

Problema: Non riesci a scattare foto o a registrare video?

Soluzione: • Questo tipo di problema è quasi SEMPRE legato alla Memory Card. Per favore controlla se c'è abbastanza spazio sulla micro SD. Come menzionato precedentemente, alcuni filmati sono protetti e nel corso del tempo si accumulano sulla SD.

- Formatta la scheda di memoria SD per assicurarti che non sia più piena di filmati protetti.
- Se il dispositivo continua a stopparsi automaticamente mentre registra o registra con fotogrammi saltati potrebbe essere dovuto alla velocità di scrittura della scheda di memoria SD.
- Devi usare un'alta velocità della scheda di memoria Micro SD. Per sapere se hai la corretta alta velocità, controlla se ha il logo 'Micro SDHC/XC' sulla scheda di memoria SD. A volte le schede di memoria SD sono vendute con capacità video HD ma questo risulta non essere sempre vero. La registrazione HD richiede una Scheda di memoria con class 10, dovresti trovarlo stampato sul fronte/retro della scheda di memoria.

Guida alla risoluzione dei problemi

SI PREGA DI NOTARE: le schede di memoria SD hanno una vita limitata. La loro vita dipende dall'ammontare delle volte in cui la scheda di memoria è stata scritta. La scheda di memoria SD potrebbe usurarsi nel tempo. Le Dash Cam sono utilizzatori pesanti delle schede di memoria SD perchè scrivono costantemente nella memoria della scheda. Alcune schede di memoria hanno una vita più lunga di altre. Le più longeve sono spesso etichettate come "ENDURANCE (LUNGA DURATA)" o "HEAVY DUTY (RESISTENTE)"

Guida alla risoluzione dei problemi

Problema: L'adesivo non rimane attaccato al parabrezza

Soluzione: • Assicurati che il parabrezza sia pulito e libero da residui, per pulire usa un detergente per vetri o un tampone imbevuto di alcol.

- Assicurarsi che la pellicola di plastica sia stata rimossa dal tampone adesivo.
- Durante il montaggio, tenere saldamente la staffa al parabrezza per almeno 60 secondi.

Problema: La Dash Cam non si accende

Soluzione: • Controlla che la presa abbia elettricità inserendo un altro dispositivo nella stessa presa per vedere se si accende.

- Se la presa ha corrente, allora controlla il fusibile nella punta dell'adattatore di alimentazione.
- Dash Cam - Collegare il Dash Cam ad un computer tramite il cavo USB per vedere se si accende.

Problema: La Dash Cam si spegne quando è connessa al veicolo e la batteria non ricarica

Soluzione: • La Dash Cam non ha batteria ma un super condensatore.

- La Dash Cam si accenderà solo quando riceverà elettricità dalla presa.

Guida alla risoluzione dei problemi

Problema: La batteria della Dash Cam dura solo alcuni secondi quando si toglie l'elettricità

Soluzione: • La Dash Cam non ha batteria ma ha un Super Condensatore.

• Il Super Condensatore trattiene solo l'elettricità di cui ha bisogno per spegnere in modo sicuro la Dash Cam; quando non riceve più elettricità, salva l'ultimo file e mantiene la configurazione.

• La Dash Cam è ideata per essere connessa all'elettricità per tutto il tempo del suo utilizzo.

Problema: Il Wifi non sembra connettersi/ la Dash Cam non si connette con il mio telefono

Soluzione: • Assicurati che il WiFi sia acceso sulle impostazioni del tuo cellulare e seleziona la Dash Cam dalla lista dei dispositivi.

• Assicurati di aver inserito la password corretta per il dispositivo (**12345678**).

• Se il dispositivo non si connette dopo queste prove, elimina la Dash Cam dal telefono attraverso le impostazioni, resetta la Dash Cam, riavvia il cellulare e prova di nuovo.

• Controlla che sul tuo cellulare sia installata l'ultima versione aggiornata del software e controlla che l'App sia stata aggiornata con l'ultima versione.

Guida alla risoluzione dei problemi

Problem: La Dash Cam si surriscalda durante il suo utilizzo

Solution: • È normale sentire la Dash Cam calda al tatto durante l'utilizzo, specialmente se sta registrando video HD.

Problem: La Dash Cam si ferma automaticamente mentre registra.

Solution: • Controlla se c'è abbastanza spazio sulla scheda di memoria Micro SD.

- Assicurati che venga utilizzata una corretta scheda di memoria Micro SD 8-64Gb Class 10 o più alta. Si raccomanda Micro SDHC/XC. Altri tipi di Micro SD potrebbero non essere idonei ad essere utilizzati per la Dash Cam.

- Se viene utilizzata una corretta scheda di memoria Micro SD, formatta la Micro SD al computer.

- Le schede di memoria Micro SD hanno vita limitata dopo un certo periodo di tempo. Questo è dovuto alla funzione di registrazione continua. Se è questo il caso, dovrai sostituire la tua scheda di memoria Micro SD.

Problem: La scheda di memoria Micro SD non è riconosciuta dalla Dash Cam

Solution: • Formatta la scheda di memoria Micro SD prima dell'uso. Assicurati che la scheda di memoria Micro SD sia compatibile con il dispositivo, vedi la soluzione al problema di cui sopra "La Dash Cam si ferma automaticamente mentre registra"

Guida alla risoluzione dei problemi

Problem: Non riesce a registrare video e a scattare foto

Solution: • Controlla se c'è abbastanza spazio sulla scheda di memoria Micro SD. Se non c'è, avrai bisogno di formattare la scheda di memoria.

Problem: I file video non riescono ad essere riprodotti sul computer

Solution: • I file video della Dash Cam sono in formato .MOV , controlla di avere installato un software adatto alla riproduzione di questi file sul tuo computer.

Problem: I miei video sono sfocati, sporchi o scoloriti

Solution: • Controlla che non ci siano impronte digitali o detriti sporchi sulla lente della camera. Se ce n'è bisogno, prima di registrare, pulisci la lente con un panno morbido e asciutto.

• Ricordati di rimuovere la pellicola di protezione trasparente durante l'installazione.

Problem: La Dash Cam si blocca o non risponde

Solution: • Resetta l'unità tenendo premuto il pulsante Reset per alcuni secondi e riprova.

• Formatta la scheda di memoria Micro SD al computer.

Problem: Problemi non risolti

Solution: • Resetta l'unità tenendo premuto il pulsante Reset per alcuni secondi e riprova.

• Formatta la scheda di memoria Micro SD al computer.

• Se il problema persiste, si prega di contattare il vostro agente di servizio Gator per il vostro paese.

Informazioni sulla sicurezza e segnalazioni

Non usare la Dash Cam in ambienti umidi; la Dash Cam non è resistente all'acqua.

Non cercare di aprire la copertura o provare a riparare la Dash Cam da solo.

Se la Dash Cam o i suoi accessori presentano problemi e la Dash Cam è ancora sotto garanzia, riportala al negozio con l'originale dello scontrino.

Se è fuori garanzia, contatta un riparatore autorizzato Gator. Non usare sostanze chimiche, prodotti per la pulizia o detersivi per pulire la Dash Cam, usa un panno morbido e umido.

Non usare la Dash Cam in ambienti non puliti.

Per favore fai attenzione mentre pulisci la superficie della lente, usa un panno morbido e umido prima dell'uso, così eviterai filmati poco nitidi.

Avvertimento sulla violazione del Copyright

Si prega di notare che questo prodotto è solo per uso personale; il metodo di utilizzo non deve violare le leggi nazionali ed internazionali sul copyright dei prodotti commerciali. Anche le immagini registrate sono solo per uso personale, si precisa che in alcuni casi l'uso di questo prodotto per registrare performance, spettacoli o altre attività commerciali potrebbe violare il copyright o altri diritti legali e interessi di terzi.

Assistenza tecnica



For Australasian support

TEL: 03 – 8587 8898 FAX: 03 – 8587 8866

Mon-Fri 9am – 5pm AEST

EMAIL - service@gator.com.au

For European support

support.connects2.com/tickets/technical

Se desiderate scaricare una copia digitale di questo manuale, o di altri manuali/software Gator, visitate il sito web <http://gatordriverassist.com> e cliccate su 'Firmware & Manuals' per informazioni su dove trovare i manuali/software.

Per gli utenti di PC è disponibile anche un'applicazione per la visualizzazione di video da scaricare dal sito web.

Questo manuale è considerato corretto al momento della stampa ma è soggetto a modifiche. Per gli ultimi manuali e aggiornamenti fare riferimento al sito web.

Copyright © 2017 di TDJ Australia

Tutti i diritti riservati. Nessuna parte di questa pubblicazione può essere riprodotta, distribuita o trasmessa in qualsiasi forma o con qualsiasi mezzo, incluse fotocopie, registrazioni, la copia o altri metodi elettronici o meccanici, senza il previo consenso scritto dell'autore.

Si prega di conservare questo manuale per riferimento futuro.

