

GATOR

GHOVR310

FULL HD 1080P

WIFI/GPS

DASH CAM



Manual



Resolution



Screen Size



Adhesive
Mount



Data
Recording



G Sensor



Wide Angle

Introduction

Thank you for purchasing the Gator GHDVR310 FHD 1080P Dash Cam. Please ensure that you have read the product manual and instructions in full, prior to installation and use. Failure to do so may result in product failure/damage or incorrect operation and therefore impact the product performance.

Product overview

The Gator GHDVR310 Dash Cam has been designed to provide high definition recordings of your trips for security and evidence in the case of an accident. The Dash Cam simply mounts to the windscreen and records footage onto a Micro SD memory card. It has a G-sensor with adjustable sensitivity and loop recording functionality.

ATTENTION: Please charge the unit for 4 hours before installing

Product features

- ❑ FHD 1920 x 1080P @ 30FPS
- ❑ 1.5-inch LCD screen
- ❑ 140 Degree HD wide angle lens
- ❑ Wifi via App
- ❑ GPS data recording with installation CD
- ❑ Time and date stamp
- ❑ WDR (Wide Dynamic Range)
- ❑ G-Sensor function
- ❑ Mini USB interface
- ❑ Seamless cycle loop recording
- ❑ Adhesive car mount
- ❑ Built-in MIC
- ❑ 12-24V in-car USB charger
- ❑ 8 GB Micro SD Card (Supports up to 32GB, class10)

Table of Contents

Introduction.....	2
Product overview.....	2
Product features	2
Table of contents	3
Package components	4
Product structure	5
Installation of Dash Cam.....	6
Fixing the Dash Cam	7
Indicator lights	7
Button functionality	8
Instructions for video and photo operation	9
Video/Photo playback	10
Using WiFi and phone APP software	11
WiFi App functionality	12
GPS logger information.....	13
Dash Cam functions	14
Dash Cam setting features explained.....	14
Resetting Dash Cam	18
Dash Cam glossary	18
Product specifications	19
Trouble shooting guide	20
Safety information & warnings	21
Infringement of copyright warning.....	21
Technical assistance	22

Package components



GHDVR310



Mounting Bracket with
GPS Antenna



USB to Mini USB



Car Charger



8G Micro SD
Card

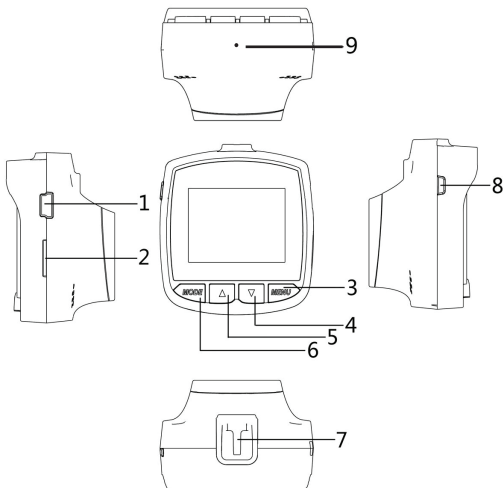


GPS Logger
CD



GHDVR310 User
Guide

Product structure

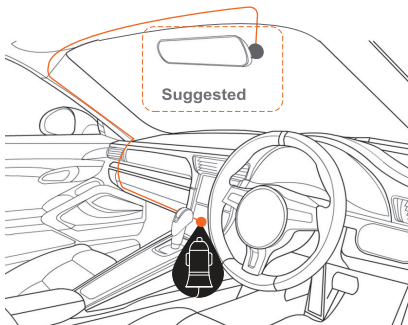


- | | |
|--|--|
| 1) Mini USB | 6) Mode Key/ Emergency lock video key |
| 2) Micro SD card slot | 7) Mount slot |
| 3) Menu/ Wifi function key/ Mic audio record key | 8) Power key/ OK key/ REC video record key |
| 4) Down Key (Zoom video mode) | 9) Reset (Insert fine pin) |
| 5) Up Key (Zoom video mode) | |

Installation of Dash Cam

1. Ensure windscreen is clean and free of debris. Attach adhesive mount onto the Dash Cam and firmly attach to the windscreen.
2. Fix where the vision is not blocked (Place close to rear-view mirror is recommended). Don't install device on airbag or within its working range.
3. Insert Micro SD card into the Dash Cam
4. Insert Mini USB end of the power cord into the Mini USB GPS antenna/interface charging point of the Dash Cam. Connect USB charging end of the cable into USB socket adapter, place adapter into 12-24V power socket of vehicle.
5. Insert cable from GPS antenna into the Dash Cam's Mini adapter port.
5. Adjust the mounting bracket and rotate the camera direction to get the best view. Ensure $\frac{1}{4}$ of the vehicles bonnet is visible from the bottom of the screen for alignment.
6. When you turn the vehicles ignition on, you will hear an audible tone and the Dash Cam will automatically start recording.
7. A red circle on the display will start flashing when recording has started.
8. A white battery symbol on the display will show when the Dash Cam is receiving power.
9. For the Dash Cam to work it must receive power from the charging adapter, it cannot run from internal battery. Once power is removed or turned off the Dash Cam will save the current file and turn off. The internal battery is only used to keep date and time settings.
10. To prolong the battery life you must charged your Dash Cam on a 5 volt home charger at least once a week for 2-3 hours with the dash cam off, if you don't use the car daily, for cars that are used daily for more than 1 hour you can charge the Dash Cam once every 3 weeks for 2-3 hours. It is not recommended to power the dash cam with only the battery. The battery will only run for 5 mins continuously, always use the charger provided.

Fixing the Dash Cam



Indicator lights

1. When the red LED is flashing circle on the screen, the Dash Cam is in recording mode.
2. When white battery symbol is flashing on the screen, the Dash Cam is being powered by the car.

Button functionality

Power Key

Function 1: Long press to turn on and off

Function 2: In standby mode, short press to record video or to stop recording

Function 3: In menu, short press to perform operations or to save the set value and exit

Function 4: In camera mode, short press to take a picture

Function 5: In playback mode, short press to start playing video, and press again to pause playback

Menu Key

Function 1: In standby mode, short press once or twice to enter or exit setting menu

Function 2: In standby mode, long press to start WiFi function. Long press again to quit WiFi function

Function 3: When recording, short press to turn on or off the operation of sound recording and microphone

Mode Key

Function 1: In standby mode, short press to switch between the camera / video / playback function

Function 2: When recording, short press to lock the video footage

Up: In the menu options, select upward function.

Down: In the menu options, select the downward function

Reset key: If dash cam stops working, long press the reset button to reset the dash cam.

One-click Silent Mode

When recording video, press [Menu Key] to mute the sound. The microphone icon on the top of the screen turns to the silent mark. Press again to turn the sound back on.

Video Record function

In video mode, short press the [Power Key] to start recording, press the [Power Key] button again to stop recording.

Instructions for video and photo operation

Powering device on and off:

To turn on the Dash Cam press the power key once, the white battery symbol will light up and flash when it is connected to a power source. To turn it off, hold down the power button and the device will turn off.

Video Mode

Press the Mode button to switch to video mode if not already. To start recording in video mode press the OK button to start the recording. You know it is recording by the red circle indicator on the top left corner of the LCD. To stop the recording, simply press the OK button again.

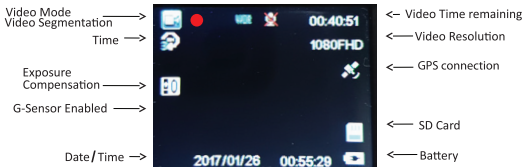
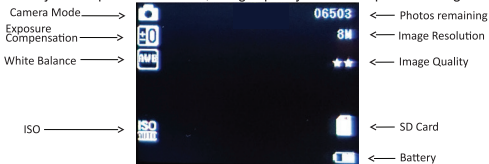


Photo Mode

Press the Mode button to switch to photo mode. There is a camera icon at the top left corner of the LCD to signify you are on photo mode. To take a photo, press the OK button. The screen will flash and make a camera sound when a picture is taken. Pressing the Menu button in photo mode will allow you to adjust the photo resolution, image quality and other photo settings.



Video/Photo playback

Press the mode button until you see the playback icon on the top left of the screen representing playback mode. Using the arrow buttons, you can choose between all your recorded videos or photos. The protected files have a lock icon meaning they cannot be deleted until unlocked. Press the OK button to select a file for playback. Pressing the Menu/Mode button will give the option to delete the file or unlock the file. Simply press the Mode button again to return to video mode. Press the Up button to scroll through recorded files. During playback press the Up key to rewind, and Down key to fast forward. Ok button the start and pause footage.

Playback Icon →



← Protected File

Using WiFi and phone APP software

With the Dash Cam's built-in WiFi, you can use your smart device as a remote camera, viewfinder and to download files.

Downloading the WiFi App

The WiFi App is available to download for free at the Apple App Store™ and Google Play Store™.

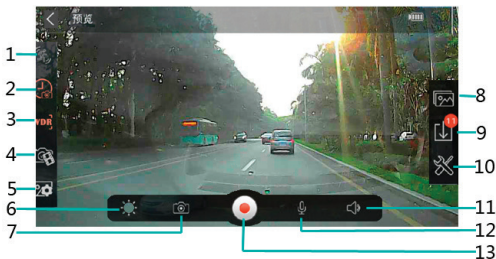
Android users: Enter the Google Play Store™, search for “FinalCam”, download and install, following this user manual to connect the WiFi and operate.

iPhone users: Enter the Apple App Store™, search for “FinalCam”, download and install, following this user manual to connect the WiFi and operate.

Pairing the camera to your device

1. Turn on the Dash Cam, enter the Menu settings and select the WiFi settings and turn WiFi On
2. The LCD display a WiFi symbol and show the WiFi SSIN and password
3. Search for the WiFi SSIN on your smart phone/tablet, select the network and you will be prompted for a password; enter “12345678” to proceed
4. Once connected the camera's LCD will enter sleep mode
5. Open the “FinalCam” application
6. Choose the WiFi SSIN on your smart phone/tablet, select the network and you will be prompted for a password; enter “12345678” to proceed
7. After connecting the mobile phone to the dash camera with WiFi, you can control the Dash Cam by the smart device app.

WiFi APP functionality

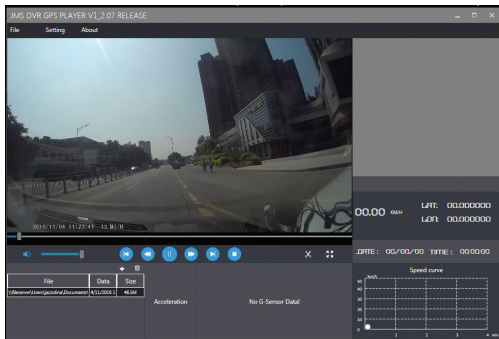


- 1) Motion detection (not on this model)
- 2) Date and time watermark ON/OFF
- 3) WDR ON/OFF
- 4) Set video quality
- 5) Set photo resolution
- 6) Set brightness of viewer
- 7) Take a picture
- 8) Check files downloaded to app
- 9) Download or delete video
- 10) Settings
- 11) Set the preview volume
- 12) Recording / mute settings
- 13) Recording / stop recording

GPS logger instructions

The GPS data from the GHDVR310 Dash Cam is automatically saved to the video files. In order to see the GPS data in the video files, you will need to install "JMS GPS Player" from the provided software on the disc or download from the link below.

Download the software from <https://tdj.com.au/firmware/Gator>



ATTENTION: To avoid any possible GPS signal interference, make sure the DASH CAM is away from any other car audio equipment.

NOTE: When the GPS antenna is connected to the DASH Cam, the GPS symbol will disappear from the LCD screen once a full signal is established. The symbol will then change to a three bar icon.

DASH CAM functions

Menu Settings

Press the Menu button to get into the menu settings. You can navigate the settings menu by using the Up/Down buttons. To change or edit a selected setting, press the OK button. Press the menu button again to get out of the menu settings.

USB Mode

When connecting a USB cable with a PC, the Dash Cam will present two options. 'Mass Storage' allows you to transfer your videos and photos to your PC. The 'PC Camera' option allows you to use your Dash Cam as a web-cam for your computer.

Charging your Dash Cam

When the Dash Cam is charging, a white battery icon on the Dash Cam flashes. The Dash Cam takes about 4 hours to fully charge. The Dash Cam can be charged using the provided Mini USB cable to connect to a USB interface for charging.

Dash Cam setting features explained

Resolution:

The recommended resolution for video recording should be set at '1080FHD 1920x1080' in order to get the best quality footage.

Loop Recording:

This feature allows the Dash Cam to record over the oldest recorded files once the card is full. The card records video in 3 minute files. If you want to keep any of the files it is best to upload them to your computer.

WDR (Wide Dynamic Range):

Wide Dynamic Range can allow for better quality footage in areas where both bright light and no light are present.

Exposure:

This feature will change the white input. We recommend it always be set at '+0.0'.

Record Audio:

This Feature will allow you to turn the Dash Cam's recording sound on or off. If you want to stop the Dash Cam recording sound in the cab of your vehicle, set this feature to 'off'.

Date Stamp:

This feature will stamp the date and time on all your footage produced by your Dash Cam.

G Sensor:

This feature allows you to set the sensitivity of the Gravity sensor in the Dash Cam. We recommend this be set to 'Low' to help stop false or irrelevant readings. The G-sensor function activates in the case of a car accident by determining the gravitational acceleration ($1g = 9.8$ meters/second²). When this function activates, the Dash Cam will record footage. It is advisable to format the card weekly if you have the setting G-sensor setting active, all footage that are locked in G-sensor mode will fill up the card causing it to stop recording any footage.

WiFi:

This feature allows you to turn on WiFi on or off to connect to Smartphone App.

Date/Time:

This feature will allow you to change the year, month, day and time. To change the date simply use the arrow keys to go up or down. Press the OK button to move onto the next section. Again, use the arrow buttons to go up or down. Once through all the sections, pressing OK again will finish the setup.

Beep Sound:

Allows you to turn the beeping sound on or off when pressing buttons.

Language:

Allows you to choose from a selection of languages that include: English, French, Spanish, Dutch, Italian, Simplified Chinese, Traditional Chinese, Russian, Japanese, Korean and Czech.

Frequency:

This feature allows the best recording in conditions where street lights and Ac lighting is used. The Australian standard frequency is 50HZ so it should be set to '50hz'.

Screen savers:

This feature will turn your LCD off after 1, 3 or 5 minutes but will continue to record regardless. This feature is useful for night driving as having the LCD on could be a distraction.

License No set:

This feature allows you to input up to 9 characters for your License plate details to appear on recorded footage.

Format:

This feature allows you to format/delete all the files off your micro SD card and also reinstalls your DCIM directory and Dash Cam software on your SD card so the micro SD card can operate with your Dash Cam free of errors.

Sharpness:

This adds data to a photo to give the appearance of a cleaner sharper picture. Settings are normal, soft or strong.

Default Setting:

This feature will reset all your settings and return your Dash Cam to the factory standard settings.

White balance:

This changes the scene's color temperature when taking pictures with different lighting conditions.

Version:

This simply shows the firmware/software employed by the Dash Cam's hardware.

Colour:

This changes the picture color filter to normal, Black & white or Sepia.

ISO:

ISO is the sensitivity of your sensor to light. The ISO setting you use depends on the amount of light in the scene you are photographing. The more light you have to work with the lower you can set your ISO. The darker the scene the higher you can set your ISO.

Anti Shaking:

Anti Shake compensates for the blurriness. It allows users to shoot images at slow shutter speeds, without causing blurring when shooting hand held.

Quick review:

This setting displays the picture taken for a set time on screen for viewing.

Date stamp:

This feature will stamp the date and time on all your footage.

Capture mode:

Single, 2S Timer, 5S Timer, 10S Timer

Sequence:

On or Off

Quality:

Fine, Normal or Economy

Lock Footage:

Press Mode button on the left side of the display to activate the lock footage function, this will save any footage from getting erased from the card, to remove locked footage you must format the card on the device or computer.

Resetting DASH CAM

To hard reset the device in the case of a system jam or crash. Insert a fine point pin into reset hole on the bottom of the unit.

DASH CAM glossary

Micro SD Slot:

Where the Micro SD card is inserted (Max size is 32GB Class 10).

USB Interface:

The USB charging adapter is used to power the Dash Cam with the Mini USB cable. This cable can also be used to connect to a computer for data transfer.

Ignition Auto Power On/Off:

Once power is connected to the device (ie: when the vehicles ignition is turned on), the Dash Cam will automatically turn on and start recording. When the power is disconnected, or car is turned off, the Dash Cam will automatically save the file and shutdown.

MIC:

Audio receiver for video recording.

Maintaining the Battery:

To prolong the battery life you must charged your Dash Cam on a 5 volt home charger at least once a week for 2-3 hours with the dash cam off, if you don't use the car daily, for cars that are used daily for more than 1 hour you can charge the Dash cam once every 3 weeks for 2-3 hours. It is not recommended to power the dash cam with only the battery. The battery will only run for 5 mins continuously, always use the charger provided.

NOTE: Please format the TF card before using your Dash Cam. This product only supports the FAT32 file system.

Product specifications

CPU	NTK96658
Display	1.5-inch LCD screen
Color	Black
Video	AVI
	1920*1080P at 30fps
	720P 1280*720 at 30fps
	VGA 640*480 at 30fps
Picture	12M/10M/8M/5M/3M/2M/1.3M/VGA
Picture format	JPG
Viewing Angle	140 degree view angle
WiFi	"FinalCam" APP
Functions	G-Sensor, Loop recording
G- Sensor sensitivity	Low, Mid, High
OSD Language	English, Russian, Chinese, etc
Audio	Built-in Microphone and speaker
Storage	Micro SD card (8GB included)8GB-32GB Class 10 Max
Input / Output	USB
Battery	120mAh lithium battery
Dimension	5.4*4.5*3CM(L*W*H)
Accessories	Car mount, Car charger, USB cable, User Manual

Troubleshooting guide

Under normal operating conditions, if there are problems with the device, please refer to the following methods to resolve.

Cannot take pictures or record video?

Please check whether there is enough space on the micro SD card or internal storage.



Stopping automatically while recording?

Due to the high amount of HD video data being recorded, please use a high-speed Micro SD card. To tell if you have the required high speed card, check if it has the 'Micro SDHC' logo on the SD card and 8GB class 10 or above is recommended. Make sure that your card is labeled Micro SDHC and not Micro SDXC as SDXC cards will not work with this Dash Cam.

Fuzzy/dirty image?

Please check if the lens is filled with dirt or fingerprints and clean carefully. Please clean lens with cloth before shooting.

The DASH CAM is jammed or not responding?

Please reset the device by pushing in the reset button on the underside of the Dash Cam.

Why is the DASH CAM not turning on in the car?

Please check and make sure that there is power in the cigarette lighter socket of your car.

Micro SD card not recognised by DASH CAM?

Format card in the Dash Cam's menu setting's before use.

A coloured tinge showing up in the video?

Make sure to peel off the transparent protective sticker on the front of the Dash Cam's lens.

Safety information & warnings

- Do not use the Dash Cam in damp working conditions; the Dash Cam is not waterproof
- Do not try opening the shell or trying to repair the Dash Cam by yourself. If the accessories for the Dash Cam have any problems, please take it to an authorised repair agent for repair.
- Do not use a chemical substance, cleaning solvent or cleaner to clean the Dash Cam, please use a moist soft cloth if you would like to clean the Dash Cam.
- Do not use the Dash Cam under conditions where dust is present.
- Please pay attention to cleaning the lens surface, use a moist soft cloth to clean the lens before use, to avoid poor video footage.

Infringement of copyright warning

Please note that this product is for personal use only, the method of use shall not violate the goods, or infringe on domestic or international copyright laws. Recorded images are for personal use only, please note that in some cases to use this product to record performances, exhibitions or business activities may infringe the copyright or other legal rights and interests of others.

Technical assistance

If you need assistance setting up or using your Gator product now or in the future, call Gator Support.

Australia

TEL: 03 – 8587 8898

FAX: 03 – 8587 8866

Mon-Fri 9am – 5pm AEST



Please retain this user guide for future reference.

If you would like to download a digital copy of this manual, or other Gator manuals/software, please visit the <http://gatordriverassist.com> website and click on 'Firmware & Manuals' for information on where to find the manuals/software.

For PC users a video viewing App is also available to download from the website. <https://tdj.com.au/firmware/Gator>

This manual is considered correct at time of printing but is subject to change. For latest manuals and updates refer to the website.

Copyright © 2017 by TDJ Australia

All rights reserved. No part of this publication may be reproduced, distributed, or transmitted in any form or by any means, including photocopying, recording, copying or other electronic or mechanical methods, without the prior written permission of the author.