



# GHOVR210

FULL HD 1080P

DASH CAM

## PRODUCT USER MANUAL



Resolution



Screen Size



Suction  
Mount



File  
Locking



G Sensor



Wide Angle

## Introduction

Thank you for purchasing the Gator GHDVR210 FHD 1080P Dash Cam. Please ensure that you have read the product manual and instructions in full, prior to installation and use. Failure to do so may result in product failure/damage or incorrect operation and therefore impact the product performance.

## Product overview

This product is a Full HD Digital Car driving recorder, it can record high resolution video as well as high resolution pictures, using a micro SD card as the storage device which is ultra-small, power saving, easy and convenient to carry anytime. The DASH CAM has a recording resolution of up to 1920x1080P and it can also shoot 12 mega pixel still images. The DASH CAM uses a Micro SD card as storage because it is compact, power saving and easy to carry. The DASH CAM can also use the HDMI interface to transmit your media directly to a high-definition LCD TV for high-resolution playback.

## Product features:

- 120-degree high definition wide-angle lens.
- 1920 \* 1080P FHD resolution.
- Compression technology with advanced H.264 photography.
- 2.4-inch 16:9 high-resolution LCD screen.
- HDMI out video transmission
- LED Light for night view
- Dedicated Camera Button
- Looping Recording
- G-Sensor Function
- SOS Lock Function

## Table of Contents

Introduction.....	2
Product overview.....	2
Product features .....	2
Table of contents .....	3
Package components .....	4
Product structure.....	5
Installation of Dash Cam.....	6
Button instructions .....	6
Extra functions .....	8
Video mode .....	9
Photo mode/ Playback .....	10
Menu settings .....	11
Product specification .....	13
Trouble shooting guide .....	14
Safety information & warnings .....	15
Infringement of copyright warning .....	15
Technical assistance .....	16

**Package components:**

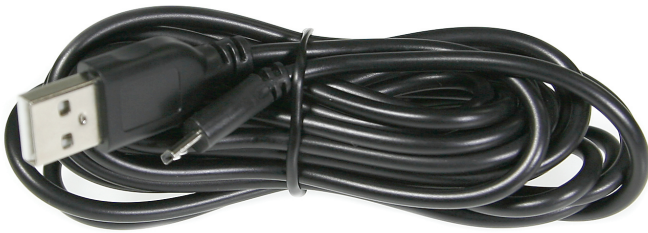
Gator GHDASH CAM210 Dash Cam



Mounting Bracket



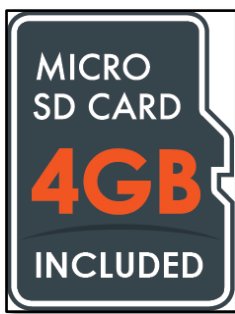
USB to Micro USB



Car Charger



Micro SD Card



GHDASH CAM210 User Guide

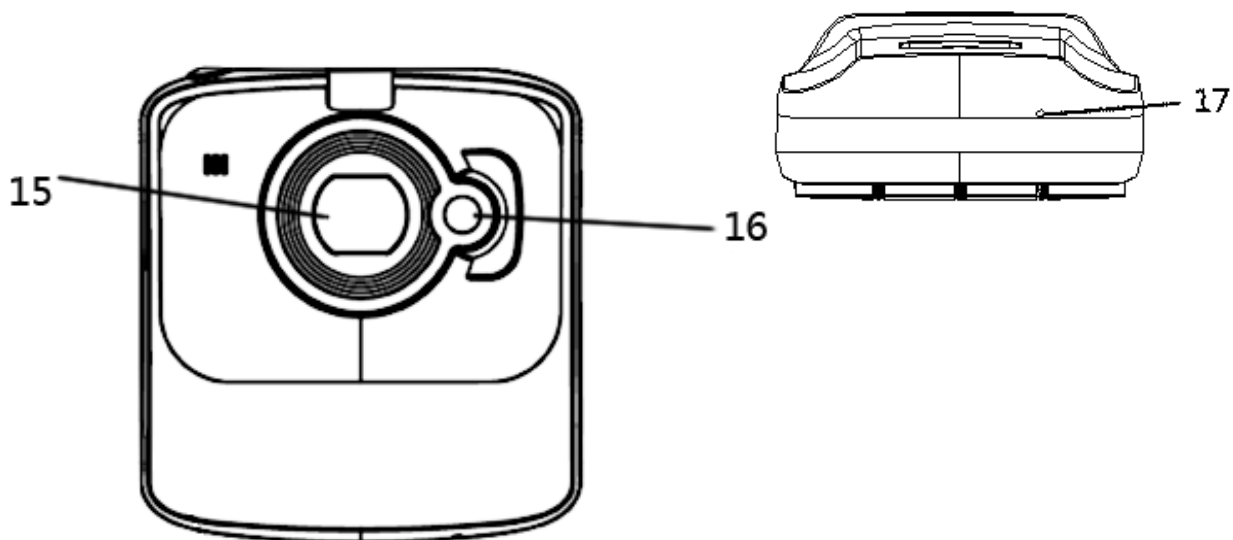
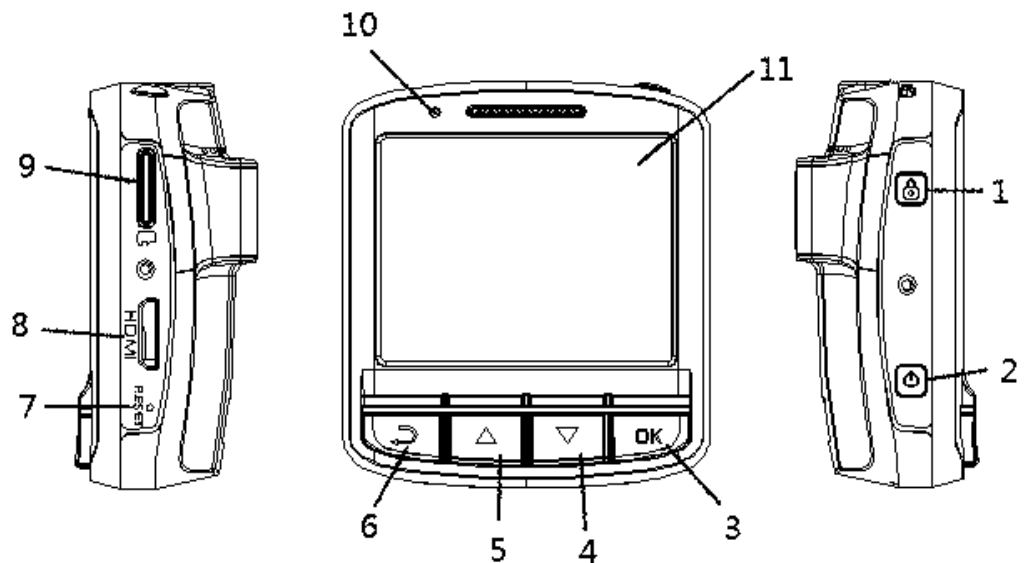
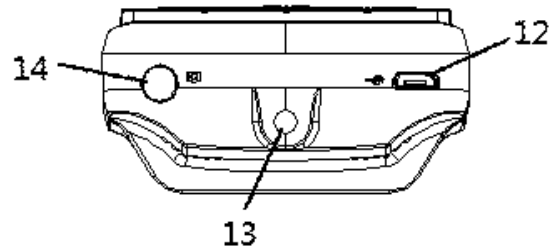


**Optional accessory: GHWCUSB**

The GATOR GHWCUSB DASH CAM HARD WIRE KIT enables a professional installation of a GATOR DASH CAM into your vehicle. Instead of sourcing power from the accessory socket of the vehicle, the GHWCUSB allows the dash cam to be wired directly to the vehicles fuse box. The DASH CAM will still function the same way as the accessory plug power lead but allows all cables to be hidden for a professional installation. The Gator GHWCUSB is sold separately.

## Product structure

- 1) SOS Button
- 2) Power Button/LED Button
- 3) Ok Button
- 4) Down Button
- 5) Up Button
- 6) Menu/Mode Button
- 7) Reset
- 8) HDMI Out (Cable not included)
- 9) Micro SD Slot
- 10) Indication Light
- 11) LCD Screen
- 12) USB Port
- 13) Bracket Connection
- 14) Camera Button
- 15) Lens
- 16) LED Light
- 17) MIC



## Installation of Dash Cam

1. Insert suction mount into the mounting bracket fixing point on the DASH CAM.
2. Fix device onto a clean windscreen where the vision is not blocked (Place close to rear-view mirror is recommended). Don't install device on airbag or within its working range.
3. Insert Micro SD card into the DASH CAM
4. Insert Micro USB end of the power cord into the Micro USB interface/charging point of the DASH CAM. Connect USB charging end of the cable into USB socket adapter, place adapter into 12V power socket of vehicle.
5. Adjust the mounting bracket and rotate the camera direction to get the best view. Ensure  $\frac{1}{4}$  of the vehicles bonnet is visible from the bottom of the screen for alignment.
6. Turn vehicles ignition to accessories, the DASH CAM will automatically power ON, you will hear an audible tone once powered.
7. A red LED will start flashing and recording will start

## Button instructions

### Power Button:

When the DASH CAM is turned off, press it once to turn it on. While the system is on, hold down the power button to turn it off. The Power Button is also used to turn the LED on or off during use.

### MENU/MODE Button:

Pressing this button once will open the menu. Pressing the menu button again while in the menu will change to the second settings tab.

This button is also used to change between video, photo and playback modes by holding down the button for 2 seconds then letting go.

### OK Button:

The OK is used to start recording in video mode. Pressing the button again in video mode will stop the recording. In photo mode, the OK button is used to take a picture.

The OK button is also used to select a setting in the menu.

### Up Button:

The up button is used while in menu to move the highlighted area for selecting. The up button can also be used to Mute the microphone ON/OFF while unit is recording

**Down Button:**

The down button is used while in the menu to move the highlighted area for selecting.

**HDMI Port:**

The HDMI port provides a HD output interface using the mini HDMI to HDMI cable (Not provided) that can be plugged into a HDMI port on a supported device.

**Micro SD Slot:**

Where the Micro SD card is inserted (Max size is 32GB).

**SOS Emergency Button:**

Pressing the SOS Emergency lock button while recording will activate file protection (A white key will be present if activated)

**Camera Button:**

Pressing the camera button while recording will take a picture and save it to the SD card.

**USB Interface:**

The USB port can be used to charge the device or be connected to a computer for data transmission.

**Reset:**

To hard reset the device in the case of a system jam or crash.

**Power Indication Light:**

When the device is turned on, a blue indicator will light up. When the device is recording, it will be flashing red. When the device is charging, the light will glow red.

### **Battery Charging Indication Light:**

After connecting the Dash Cam through USB, the indication lamp will glow red meaning it is charging. The light will automatically turn off after fully charged.

### **MIC:**

Audio receiver for video recording.

## **Extra functions**

### **G-sensor Function:**

The G-sensor function activates in the case of a car accident by determining the gravitational acceleration ( $1g = 9.8 \text{ meters/second}^2$ ). When this function activates, the Dash Cam will save the accident footage in a non-deletable file in order to protect the footage. The G-sensor sensitivity can be adjusted to Off/High/Medium/Low in the settings menu.

### **SOS Function:**

Press the SOS Button while recording in order to lock the currently recording video file so it is non-deletable file (A white key will be present if activated).

### **Auto Power On/Off:**

When turned on, once power is connected to the device, like when you start your car up, the Dash Cam will automatically turn on and start recording. When the power is disconnected, or car is turned off, the DASH CAM will automatically save the file and shutdown

## **Basic Instructions for Video and Photo Operation**

### **Powering on and off the device:**

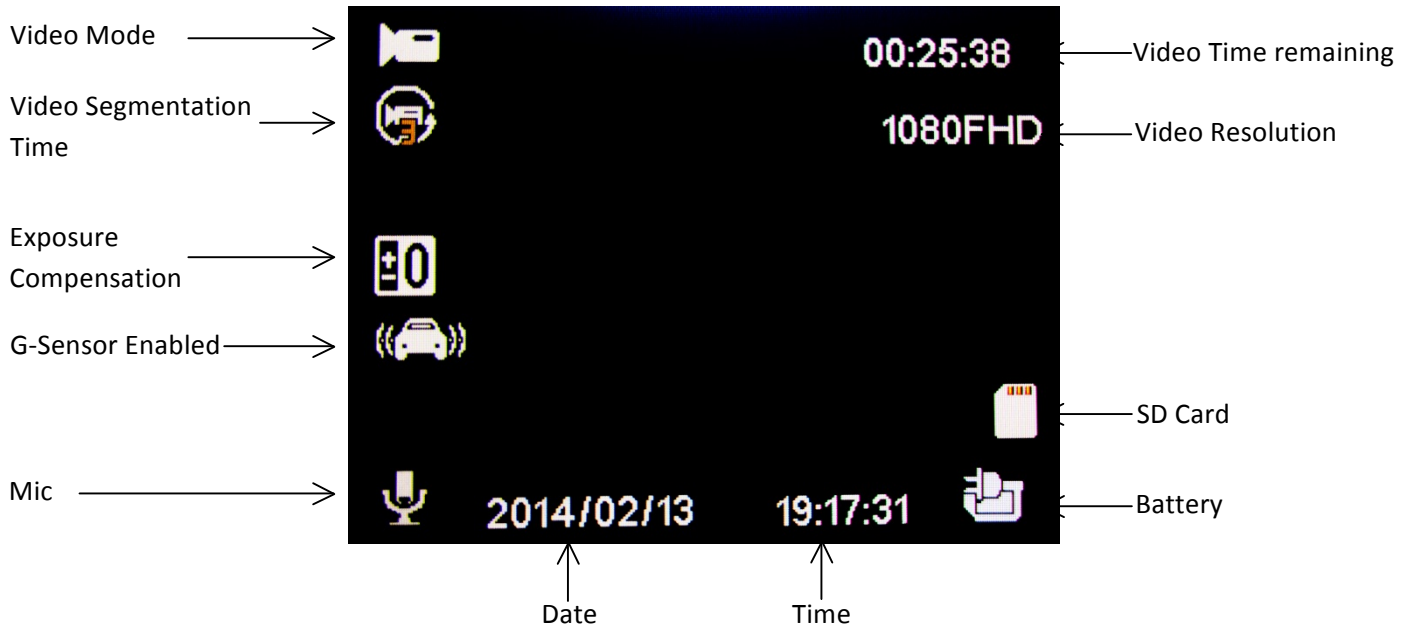
To turn on the DASH CAM press the power key once, the red indication lamp will be light up if it is connected to a power source. To turn it off, hold down the power button and the device will turn off.

**WARNING:** The device will automatically turn off once the battery hits critically low levels. It is recommended to charge the Dash Cam once a week if car is not used daily. This will allow the Dash Cam to keep time and date in memory.



## Video Mode

Hold the Menu/Mode button for 2 seconds and then let go to switch to video mode if not already. To start recording in video mode press the OK button to start the recording. You know it is recording by the red circle indicator on the top left corner of the LCD. To stop the recording, simply press the OK button again.



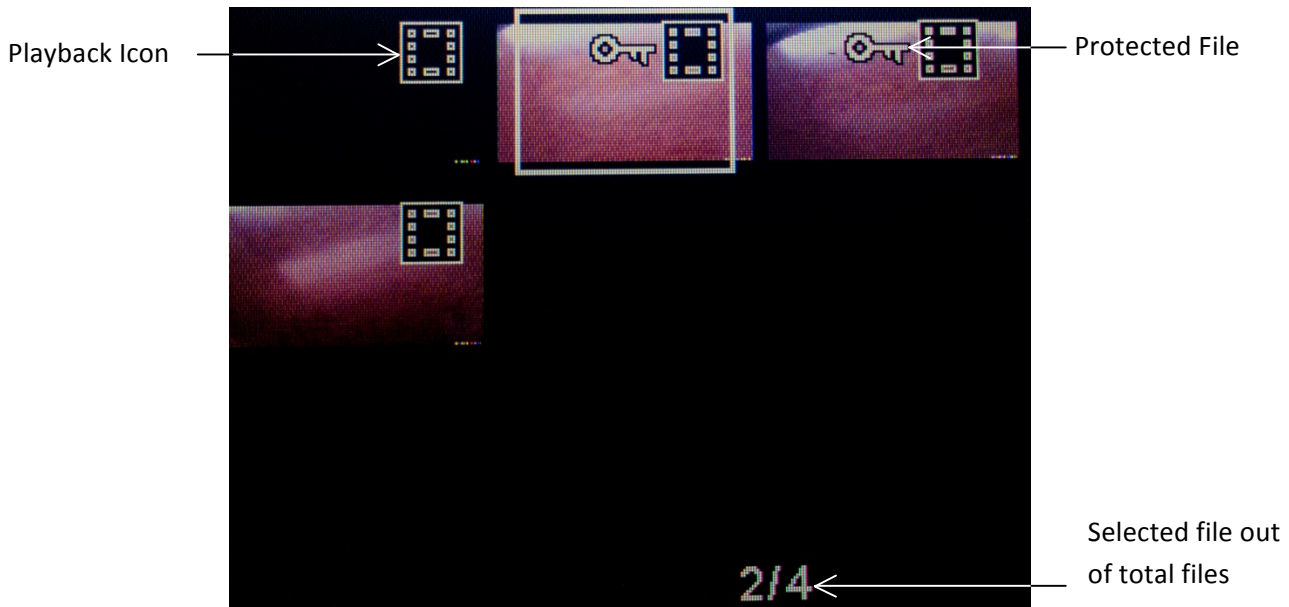
## Photo Mode

Hold the Menu/Mode button for 2 seconds and then let go to switch to photo mode. There is a camera icon at the top left corner of the LCD to signify you are on photo mode. To take a photo, press the OK button. The screen will flash and make a camera sound when a picture is taken. Pressing the Menu button in photo mode will allow you to adjust the photo resolution, image quality and other photo settings



## Video/Photo Playback

Hold the Menu/Mode button for 2 seconds and then let go to switch to playback mode after photo mode. Using the arrow buttons, you can choose between all your recorded videos or photos. The protected files have a lock icon meaning they cannot be deleted until unlocked. Press the OK button to select a file for playback. Pressing the Menu/Mode button will give the option to delete the file or unlock the file. Simply hold down the Menu/Mode button for 2 seconds and then release to return to video mode.



## Menu Settings

Press the Menu button to get into the menu settings. You can navigate the settings menu by using the Up/Down buttons. To change or edit a selected setting, press the OK button.

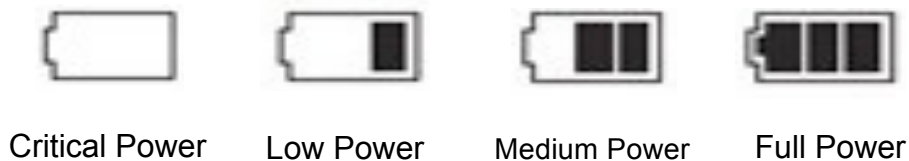
Press the menu button again to get out of the menu settings.

## USB Mode

When connecting a USB cable with a PC, the DASH CAM will present two options. 'Mass Storage' allows you to transfer your videos and photos to your PC. The 'PC Camera' option allows you to use your DASH CAM as a webcam for your computer.

## Battery Instructions

Please see below illustration for battery the capacity indications.



When the DASH CAM is charging, a red indicator on the DASH CAM glows red. The DASH CAM takes about 3 hours to fully charge. When the DASH CAM hits full charge, the red indicator will turn off.

The DASH CAM can be charged multiple ways:

1. Using the provided micro USB cable to connect to a USB interface for charging.
2. Using the provided car charger
3. It is recommended that the Dash Cam is powered with the car charger at all times, as the internal battery is only used to keep time and date settings.

## Menu settings features explained

**Resolution:** The recommended resolution should be set at '1920x1080' in order to get the best quality footage.

**Loop Recording:** This feature allows you to set the size of the files your DASH CAM will record before saving and creating a new file. We recommend the DASH CAM to be set to '3' minute files.

**Exposure:** This feature will change the white input. We recommend it always be set at '+0.0'.

**Date Stamp:** This feature will stamp the date and time on all your footage produced by your DASH CAM .

**Record Audio:** This Feature will allow you to turn the DASH CAM s recording sound on or off. If you want to stop the DASH CAM recording sound in the cab of your vehicle, set this feature to 'off'.

**G Sensor Sensitivity:** This feature allows you to set the sensitivity of the Gravity sensor in the DASH CAM . We recommend this be set to 'Low' to help stop false or irrelevant triggering of the Dash Cam, and to avoid the cards storage capacity filling up with event footage. (Non loop files)

Press the menu button again until you see the following Spanner and screwdriver.  
**(SETUP MENU)**

**Date/Time:** This feature will allow you to change the year, month, day and time. To change the date simply use the arrow keys to go up or down. Press the OK button to move onto the next section. Again, use the arrow buttons to go up or down. Once through all the section, pressing OK again will finish the setup.

**Beep Sound:** Allows you to turn the beeping sound on or off.

**Language:** Allows you to choose from a selection of languages that include: English, Dutch, French, Spanish, Italian, Portuguese, Simplified Chinese, Traditional Chinese, Japanese, Russian and Korean.

**Frequency:** This feature allows the best recording in conditions where street lights and ac lighting is used. The Australian standard frequency is 50HZ so it should be set to '50hz'.

**Format:** This feature allows you to format/delete all the files off your micro SD card and also reinstalls your DCIM directory and DASH CAM software on your SD card so the micro SD card can operate with your DASH CAM free of errors.

**Default Setting:** This feature will reset all your settings and return your DASH CAM to the factory standard settings.

**Screen Savers:** This feature will turn your LCD off after 1, 3 or 5 minutes but will continue to record regardless. This feature is useful for night driving as having the LCD on could be a distraction.

**Lamp Setting:** This sets whether you want the LED light turned on the front of the DASH. This is used when recording video inside the vehicle not outside as it will reflect off the windscreen.

**Version Info:** This simply shows the firmware/software employed by the DASH CAM s hardware.

## Product Specifications

Product Feature	HD Camera, HD Recording
G-sensor	Built-in(Used to save the file in case of an emergency, and cannot be deleted if the collision of vehicles happen)
LCD Size	2.4" TFT LCD
Lens	120 Degree Wide Angle
Language	English/Dutch/French/Spanish/Italian/Portuguese/Simplified Chinese/Traditional Chinese/Japanese/Russian/Korean
Video Format	AVI
Video Resolution	1920x1080P, 1280x720P, 720x480P, 640x480P, 320x240P
Video Codec.	H. 264, Audio: AAC
Loop Recording	Recording with seamless

Auto turn on/off while car power on/off	Supports turn on while car starts and turn off while car turns off.
Year/Month/Day/Hour/Minute	Supported
Still images	Photo resolution: 12MP
Photo Format	JPEG
Memory Card	Micro SD (up to 32GB Max)
MIC	Supported
Built-in Speaker	Supported
TV Output	PAL/NTSC
Frequency	50HZ/60HZ
USB Function	<ol style="list-style-type: none"> <li>1. Storage</li> <li>2. PC Camera</li> </ol>
Power Interface	5V 1.0A
Battery	180mAH built-in battery

## Trouble shooting guide

Under normal operating conditions, if there are problems with the device, please refer to the following methods to resolve.

### Cannot take pictures or record video?

Please check whether there is enough space on the micro SD card or internal storage.



### Stopping automatically while recording

Due to the high amount of HD video data being recorded, please use a high-speed micro SD card. To tell if you have the required high speed card, check if it has the 'Micro SDHC' logo on the SD card and 4GB class 10 or above is recommended. Make sure that your card is labelled Micro SDHC and not Micro SDXC as SDXC cards will not work with this DASH CAM.

### **Fuzzy/dirty image**

Please check if the lens is filled with dirt or fingerprints and clean carefully. Please clean lens with cloth before shooting.

### **The DASH CAM is jammed or not responding**

Please reset the device by pushing in the reset button on the underside of the DASH CAM.

### **Why is the DASH CAM not turning on in the car?**

Please check and make sure that there is power in the cigarette lighter socket of your car.

### **Micro SD card not recognised by DASH CAM**

Format card in the DASH CAM's menu setting's before use.

### **A coloured tinge showing up in the video?**

Make sure to peel off the transparent protective sticker on the front of the DASH CAM's lens.

## **Safety information & warnings**

- Do not use the DASH CAM in damp working conditions; the DASH CAM is not waterproof
- Do not try opening the shell or trying to repair the DASH CAM by yourself. If the accessories for the DASH CAM have any problems, please take it to an authorised repair agent for repair.
- Do not use a chemical substance, cleaning solvent or cleaner to clean the DASH CAM, please use a moist soft cloth if you would like to clean the DASH CAM.
- Do not use the DASH CAM under conditions where dust is present.
- Please pay attention to cleaning the lens surface, use a moist soft cloth to clean the lens before use, to avoid poor video footage.

## **Infringement of copyright warning**

Please note that this product is for personal use only, the method of use shall not violate the goods infringe on domestic or international copyright laws. Even recorded images for personal use only, please note that in some cases to use this product to record performances, exhibitions or business activities of the images may infringe the copyright or other legal rights and interests of others.

## Technical assistance

If you need assistance setting up or using your Gator product now or in the future, call Gator Support.

Australia

TEL: 03 – 8587 8898

FAX: 03 – 8587 8866



Mon-Fri 9am – 5pm AEST

Please retain this user guide for future reference.

If you would like to download a digital copy of this manual, or other Gator manuals/software, please visit the <http://gatordriverassist.com> website and click on ‘Firmware & Manuals’ for information on where to find the manuals/software.

This manual is considered correct at time of printing but is subject to change. For latest manuals and updates refer to the website.

Copyright © 2017 by TDJ Australia

All rights reserved. No part of this publication may be reproduced, distributed, or transmitted in any form or by any means, including photocopying, recording, copying or other electronic or mechanical methods, without the prior written permission of the author.