



G4KDVR20

USER MANUAL



For more information
on the Gator range
go to our website

gatordriverassist.com 

INCLUSIONS:

Dash Cam, Adhesive Mounting Bracket, 12/24V Charging Adapter,
16GB Micro SD Card

Product overview.....	3
Product features.....	3
System contents.....	4
Product structure.....	5
Fixing the Dash Cam.....	7
Installation of the Dash Cam.....	8
Hard wiring kit.....	9
Video recording screen.....	10
Video mode icons.....	11
Video mode settings.....	12
System settings.....	13
Pairing your Smartphone.....	14
Dash Cam interface screen.....	15
Dash Cam video and photo gallery screen.....	16
Video mode settings screen.....	17
Photo mode settings screen.....	18
GPS tracking instructions.....	19
G-sensor sensitivity.....	20
Formatting SD card.....	20
Infringement of copyright warning.....	20
Product specifications.....	21
Troubleshooting guide.....	22
Safety information.....	27
Infringement of copyright warning.....	27
Technical assistance.....	28

Product overview

Thank you for purchasing the Gator G4KDVR20 4K UHD Dash Cam. This product is a convenient and durable traveling video and data recorder. Please ensure that you have read the product manual and instructions in full, prior to installation and use. Failure to do so may result in product failure/damage or incorrect operation and therefore impact the product performance.

ATTENTION: The Dash Cam must be connected to power when in use. The super capacitor only holds date and time settings. The Dash Cam has no internal battery.

Product features

- Video resolution 4K UHD 2160P with WDR
- 2.7" High-resolution LCD touch screen
- 160 Degree wide angle lens
- WiFi & GPS tracking via App
- Rear camera input (Optional camera G4K20RC sold separately)
- 2 Channel compatible (Max res 1440P Front x 720P Rear)
- Super capacitor
- G-Sensor function
- Parking monitor (Optional cable G4K20HWK sold separately)
- Seamless cycle loop recording
- Adhesive surface mount
- 16GB Micro SD card included
- Supports Micro SD card class10 up to 128GB
- 12/24V DC car adapter

System contents



G4KDVR20
Dash Cam

Adhesive
Mounting Bracket

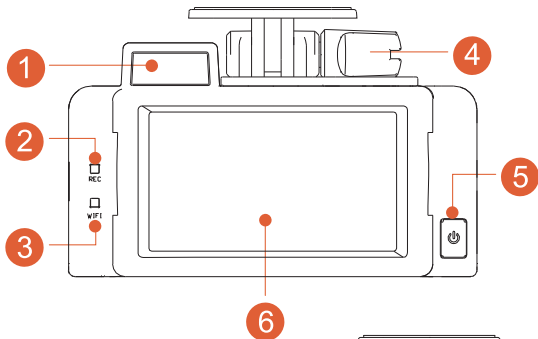


12/24V charging adapter

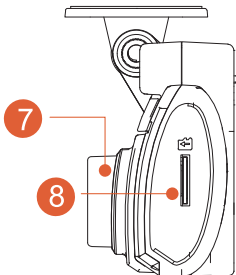


16 GB Micro SD Card

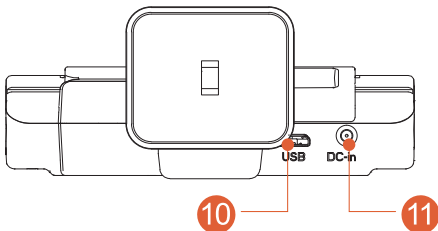
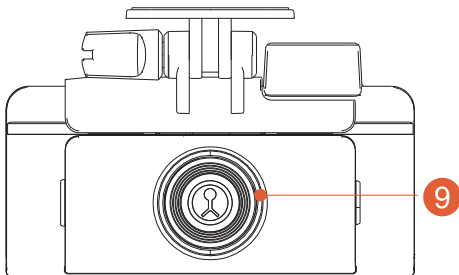
Product structure



- 1) GPS
- 2) Recording Indicator
- 3) WiFi Indicator
- 4) Dash Cam mount
- 5) Power button
- 6) Touch screen
- 7) Camera lens
- 8) Micro SD card slot

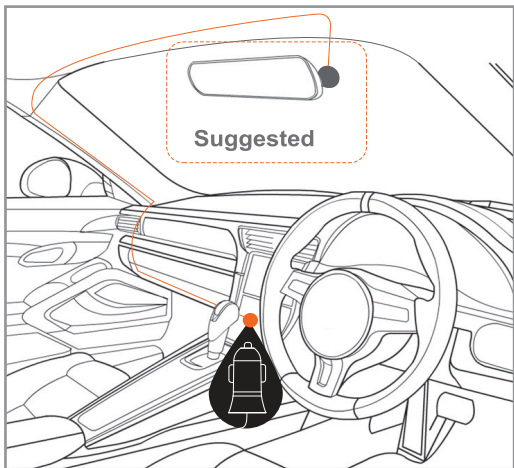


Product structure



- 9) Camera Lens
- 10) Rear camera input
- 11) DC-in interface

Fixing the Dash Cam



Installation of Dash Cam

1. Check the mounting position of the Dash Cam camera first before installation.
2. Ensure windscreen is clean and free of debris. Use an Alcohol wipe to enhance adhesion.
3. Place mounting bracket on Dash Cam after checking Dash Cam position. Remove backing off 3M tape and press & hold firmly to windscreen for 60 seconds.
4. Fix where the vision is not blocked (Place close to rear-view mirror is recommended). Do not install the device on airbag or within its working range.
5. Insert Micro SD card into the Dash Cam
6. Insert power cable into the DC-in of the Dash Cam. Connect the DC charging end of the power cable into the 12V power socket of your vehicle.
7. Adjust the camera angle to get the best view. Ensure 1/4 of the vehicles bonnet is visible from the bottom of the screen for alignment.
8. Turn vehicles ignition on, and the Dash Cam and it will automatically start recording.
9. When recording the recording indicator LED will flash red.
10. For the Dash Cam to work it must receive power from the charging adapter. Once power is removed or turned off the Dash Cam will save the current file and turn off.

Hard wiring kit G4K20HWK (Sold separately)

This can be purchased separately from your retailer to hard wire your Dash Cam to your vehicle.



NOTE: When installing the hardwire kit, RED wire to ACC, YELLOW wire to constant 12V and BLACK wire to earth. With Automatic parking monitor turned on in the settings. Once the car is switched off after 30 seconds the display will turn off but will continuously loop record. The hard wire kit has voltage protection and when the vehicles battery is at 11.6V the Dash Cam will turn off and stop recording. The hard wire modual protects the vehicles battery from going flat.

Video recording screen

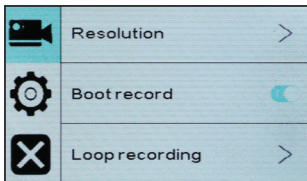
There is a video camera icon at the top left corner of the LCD to signify you are on video mode. The recording indicator will start flashing RED. A red circle will also flash on the screen and a timer will appear when recording has started. To stop and start recording, simply press the stop/start recording icon on the touch screen. When recording press the lock icon to lock the recorded video. A key symbol will appear when activated.



Video mode icons

- 1) Video mode
- 2) Recording Indicator flashes when active
- 3) WDR icon
- 4) Wifi icon
- 5) GPS icon
- 6) Recording timer
- 7) Loop recording time
- 8) Time lapse video icon
- 9) Switch between front, rear & PIP camera view
- 10) Video mode settings icon touch screen button
- 11) Date
- 12) Time
- 13) Speed measurement
- 14) Power icon
- 15) Resolution
- 16) G-Sensor icon
- 17) Stop/start recording icon touch screen button
- 18) Lock file icon touch screen button

Press the Video mode settings icon on the touch screen to enter into and change video settings. See screen display below.



Video mode settings

Press video camera icon to enter video settings. Select function and select settings to make changes. Press arrow icon to exit the function. Press X icon to exit the settings.

Function	Description
Resolution	Select from: UHD P24 / QHD P30 / FHD P60 / FHD P30 / 1440P+720P
Boot record	On/off
Loop Recording	Off/3 Min/5 Min/10 Min
WDR	Wide Dynamic Recording, enable this feature to improve video quality
Exposure	+2.0,+5/3,+4/3,+1.0,+2/3;+1/3;+0.0; -1/3;-2/3,-1.0,-4/3,-5/3,-2.0
Record Audio	Record sound with video: On/Off
G-sensor	Set the sensitivity of collision sensor: Off/Low/Medium/High
Date Stamp	When enabled, video will have a date stamp
Parking monitor	On/off

System settings

Press wheel icon to enter video settings. Select function and select settings to make changes. Press arrow icon to exit the function. Press X icon to exit the settings.

Function	Description
Time Zone	GMT+0.00 TO GMT+12.00
Language	English / Français / Español / Deutsch Português / Italiano / Chinese
Date/Time	Set system Date/Time
Plate Number	support
Beep Sound	On/Off: Makes a beep sound when pressing any button
Frequency	50 Hz / 60 Hz
WIFI	On/Off
OSD display	On/Off
Screen Save	Off / 3 Minute / 5 Minute/ 10 Minute
Format	Format SD card on Dash Cam
Default setting	Format SD card on Dash Cam
Version	System Version

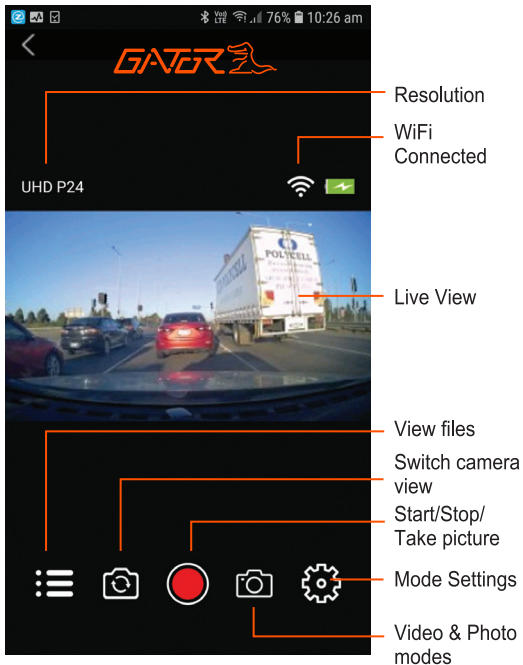
Pairing to your Smartphone

Settings, recording video and taking photos can all be done via WiFi and downloading the 'GATOR G4KDVR20' APP. For iPhones search the APP Store or for Android devices via Google Play. To pair the Dash Cam with your smartphone, go into the settings menu on your Dash Cam and turn Wifi on. Then go to your WiFi settings on your smartphone, turn WiFi on and it should display all devices for connection. Select your Dash Cam model (G4KDVR20). Enter the password 12345678. Once paired to your DASH CAM then launch the 'GATOR G4KDVR20' Dash Cam APP to access functions. Once connection is successful, the WiFi indicator on your Dash Cam turns blue. Enter the APP to update the current time and date in the APP for GPS location and recordings.

Press to access settings, view video, view and take photos or download data to your smartphone.



Dash Cam interface screen



Dash Cam video and photo gallery screen



View, videos/photos taken on the Dash Cam to your phone. Press select button to download or delete.

Alternatively you can also remove the SD card from the Dash Cam and plug the card directly into your computer to access files.

When viewing files in 4K make sure the computers graphics card is able to display high resolution graphics.

Video mode settings screen

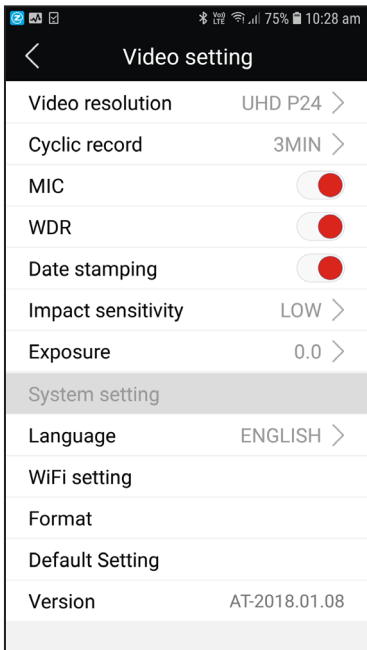
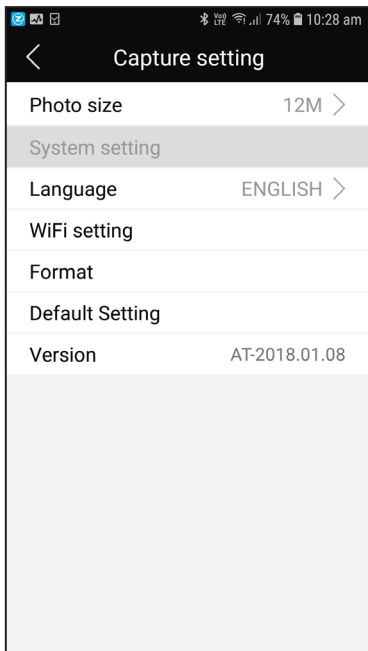


Photo mode settings screen



GPS tracking instructions

The GPS data is automatically saved to the video files. In order to see the GPS data, you will need to download the video from the Dash Cam to your computer and view it through the free downloadable software (JMS GPSPlayer) from our website. Go to www.gatordriverassist.com and search for the model G4KDVR20. This software is only for PC platforms.

JMS GPSPlayer

The screenshot displays the JMS DVR GPS PLAYER V1_2_07 RELEASE interface. The main window shows a dashcam video of a city street. Below the video is a playback control bar with buttons for play, stop, previous, next, and full screen. To the left of the video is a file list table:

File	Data	Size
\\Beaver\Users\jazz@\Documents\	411,03051	46.9M

Below the table, the text "Acceleration" and "No G-Sensor Data" is visible. To the right of the video, there are two data panels. The top panel shows "00.00 MPH", "LAT: 00.000000", and "LON: 00.000000". The bottom panel shows "DATE: 00/00/00" and "TIME: 00:00:00". Below these panels is a "Speed curve" graph with a y-axis labeled "mph" ranging from 0 to 60 and an x-axis ranging from 0 to 4. The graph shows a single data point at approximately 0.5 mph.

G-sensor sensitivity

This function activates in the case of a car accident by determining the gravitational acceleration ($1g = 9.8$ meters/second²). When this function activates the Dash Cam will automatically sync a 10 second video clip and save it to the Event folder on the SD card. We recommend Low Sensitivity to avoid false triggers.

Note: With this function turned on it may fill up the SD card with locked video files. Re-format the SD card to create space. The device does NOT guarantee video recording of all accidents as built-in impact sensor may not be activated due to combination of user settings and the level of impact during the collision.

Formatting SD card

It is advisable to format the SD card when you first use the Dash Cam and also regularly if you have the setting G-sensor function on or create Locked files. This will fill up the card causing it to stop recording any footage. 64-128GB Micro SD cards need to be formatted in the Dash Cam to be recognised.

Product specifications

Display	2.7" High-resolution LCD touch screen
Color	Black
Video	MP4
Resolution	4K UHD 2160P @ 24fps
DSP	NOVATEK 96660
WiFi & GPS	In built, tracking via App
Picture format	JPG
Picture	12M
Viewing Angle	160 Degree wide angle lens
Functions	WDR, G-Sensor, Loop recording
OSD Language	Multiple
Audio	Built-in Microphone and speaker
Storage	Micro SD card (16GB inc) 128GB Class 10 Max
Rear camera	Supports G4K20RC model
Battery	Super Capacitor
Car charger	DC input: 12 or 24V, output: 5V
Dimension	55*97*32mm (H*W*D)
Accessories	Adhesive window mount, Car charger

Troubleshooting guide

Under normal operating conditions, if there are problems with the device, please refer to the following methods to resolve them.

Problem: Cannot take pictures or record video?

Solution: • This kind of issue is almost ALWAYS an issue related to the Memory card. Please check whether there is enough space on the micro SD. As mentioned earlier some footage is write protected and accumulates on the SD card over time.

- Format the SD card to be sure the card is no longer full of write protected footage.
- If the device keeps Stopping automatically while recording or it is recording Jumpy footage with dropped frames, this may be due to the SD cards write speed.
- You must use a high-speed micro SD card. To tell if you have the required high-speed card, check if it has the 'Micro SDHC/XC' logo on the SD card. Cards are often labelled as HD video capable but that is not always true. HD recording requires a Card with class 10, the card should have this printed on it somewhere.

Trouble shooting guide

PLEASE NOTE: SD cards have a finite life. Their life is based on the amount of times the card is written to. The SD card WILL eventual wear out over time.

Dash Cams are very heavy users of the SD card because they are constantly writing to memory. Some cards have a longer life than others. The longest life cards are often labelled as “ENDURANCE” or “HEAVY DUTY”

Problem: The adhesive mount will not stay attached to the windscreen

Solution: • Ensure windscreen is clean and free of debris, use glass cleaner or an alcohol swab to clean.

- Ensure that the plastic film has been removed from the adhesive pad.
- When mounting hold the bracket firmly to the windscreen for at least 60 seconds.

Trouble shooting guide

Problem: The Dash Cam will not power on

Solution: • Vehicle Accessory Socket - Check the vehicle accessory socket has power, simply plug another device and see if it powers up (or use a test light / multimeter to check for power).

- Dash Cam Power Cable - Check the fuse in the tip of the accessory plug, it may need to be replaced.
- Dash Cam - Connect the Dash Cam to a computer via the USB cable to see if it powers up.

Problem: The Dash Cam shuts down when connected to the vehicle and the battery will not charge

Solution: • The battery will only charge while the vehicle is switched on.

- If the vehicle is not frequently used the Dash Cam battery will fully discharge and may need to be connected to a domestic USB charger (such as a smartphone charger) for approximately 4 hours to fully charge.

Problem: The Dash Cam battery only lasts for a few minutes when power is disconnected

Solution: • The Battery only holds enough power to safely shut down the Dash Cam, securely save the last file when power is disconnected and retain settings.

- The Dash Cam is designed to be connected to power at all times while being used.

Trouble shooting guide

Problem: The Dash Cam feels warm when it is operating

Solution: • It is normal for the Dash Cam to feel warm to the touch during typical use, especially when it is recording HD video.

Problem: Cannot record video or take pictures

Solution: • Check to see whether there is enough space on the Micro SD card. If not, the Micro SD card will need to be formatted or files need to be deleted.

Problem: The Dash Cam stops automatically while recording

Solution: • Check to see whether there is enough space on the Micro SD card.

• Ensure correct Micro SD card is being used, 8-128Gb Class 10 or above Micro SDHC/XC is recommended. Other types of Micro SD cards may not be suitable for use in Dash Cams.

• If the correct Micro SD Card is being used, format the Micro SD Card in a computer.

• Micro SD cards have a limited lifespan and become corrupt after a period of time. This is due to the continuous loop recording function. If this has occurred, you will need to replace you Micro SD Card.

Problem: The Dash Cam is frozen or not responding

Solution: • Reset the unit by pushing and holding the reset button for a few seconds and try again.

• Format Micro SD Card in a computer.

Trouble shooting guide

Problem: Video files can not be played on the PC

Solution: • The video files from the Dash Cam are in .MP4 format and may not be compatible with your PC if suitable playback software is not installed.

Problem: The Micro SD card is not recognised by the Dash Cam

Solution: • Format the Micro SD card before using. Be sure the Micro SD card is compatible with the device, see “The Dash Cam stops automatically while recording” fault above.

Problem: My videos are blurry, dirty or discoloured

Solution: • Check to see if there are any finger prints or dirt present on the Camera lens. If needed, clean with a soft dry cloth before recording.
• Remove the transparent lens cover during installation.

Problem: Unresolved issues

Solution: • Reset the unit by pushing and holding the reset button for a few seconds and try again.
• Format Micro SD Card in a computer.
• Should the problem persist please contact your Gator Service Agent for your country.

Safety information & warnings

Do not use the Dash Cam in damp working conditions; the Dash Cam is not waterproof.

Do not try opening the shell or trying to repair the Dash Cam by yourself. If the accessories for the Dash Cam have any problems, please take it to an authorised repair agent for repair.

Do not use a chemical substance, cleaning solvent or cleaner to clean the Dash Cam, please use a moist soft cloth if you would like to clean the Dash Cam.

Please pay attention to cleaning the lens surface, use a moist soft cloth to clean the lens before use, to avoid poor video footage.

Gator is NOT responsible for the loss of any recorded video during operation. Although designed to withstand high impact of a car collision, Gator does NOT guarantee recording of accidents where the impact may cause the device to be damaged.

Infringement of copyright warning

Please note that this product is for personal use only, the method of use shall not violate the goods infringe on domestic or international copyright laws. Even recorded images for personal use only, please note that in some cases to use this product to record performances, exhibitions or business activities of the images may infringe the copyright or other legal rights and interests of others.

Technical assistance

If you need assistance setting up or using your Gator product now or in the future, call Gator Support. Australia

TEL: 03 – 8587 8898

FAX: 03 – 8587 8866

Mon-Fri 9am – 5pm AEST

If you would like to download a digital copy of this manual, or other Gator manuals/software, please visit the <http://gatordriverassist.com> website and click on ‘Firmware & Manuals’ or search for the product model number for more information, accessories and products.

For PC users the GPS viewing player (JMS GPSPlayer) is also available to download from the website.

This manual is considered correct at time of printing but is subject to change. For latest manuals and updates refer to the website.

Copyright © 2017 by TDJ Australia

All rights reserved. No part of this publication may be reproduced, distributed, or transmitted in any form or by any means, including photocopying, recording, copying or other electronic or mechanical methods, without the prior written permission of the author.

Please retain this user guide for future reference.