

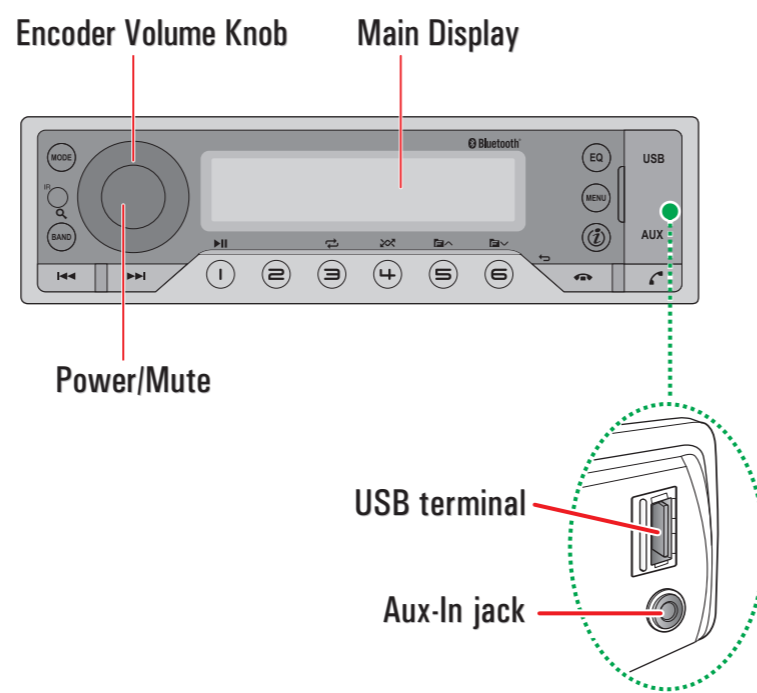
GRUNDIG
GX-6290BT
Quick Start Guide

IP66 Dust & Waterproof
IP66

Marine System
IP66 Dust & Waterproof
Lossless Audio
WAV, FLAC
Universal Charger
3.5mm AUX IN
MOSFET POWER

FC RoHS CE

Overview of the unit

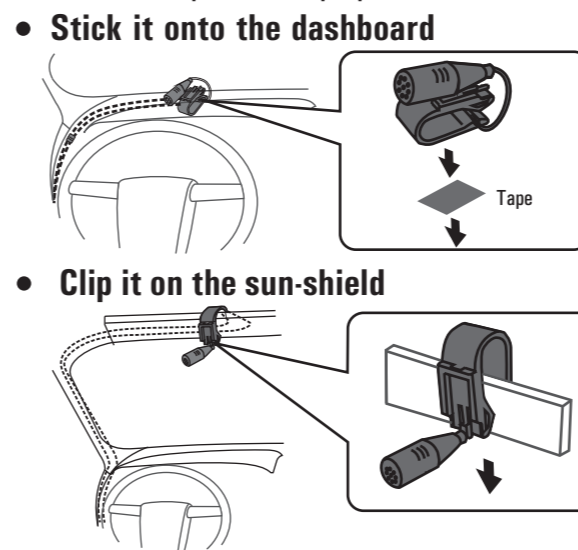


MODE	Select the available Source, if the power is turned on. <ul style="list-style-type: none"> Short press to mute or restore volume. Turn the unit on. Press and hold again to turn the unit off. Confirm selection. Rotate it to increase or decrease the volume. Rotate it to select items.
Power/Mute	<ul style="list-style-type: none"> Tuner Mode: Press to enter into the Auto Seek mode, press and hold to enter into the Manual Seek mode. Media Playback Mode: Press to track Up/Down, press and hold for fast forward/backward. BT Audio Mode: Press to track Up/Down.
BAND	<ul style="list-style-type: none"> Tuner Mode: Select the FM bands (FM1/FM2/FM3) or AM1/AM2. Press and hold to access into Auto Store mode, the six strongest stations of the selected band will be saved in preset channel automatically; FM1, FM2, FM3(1-6), AM1, AM2. Media Playback Mode: Press to access into search Folder/File music mode.
EQ	Press repeatedly to select a preset sound equalizer.
MENU	<ul style="list-style-type: none"> Press to access into the Audio Menu mode to adjust the below options: FLAT->POP->USER->TECHNO->ROCK->CLASSIC->JAZZ->VOCAL Press and hold to access into the System Menu.
Info	<ul style="list-style-type: none"> Press and hold to switch between Clock and Source Name. Tuner Mode: Press to view RDS received information. Media Playback: Press to view ID3 informations.
Handfree	<ul style="list-style-type: none"> Returns to the previous item. BT Handfree Mode: To reject/end a call.
BT Handfree Mode	During a telephone conversation, press and hold to transfer the call back to the Hand phone for privacy.
Preset Numeric Buttons	<ul style="list-style-type: none"> Tuner Mode: Press the Numeric buttons to recall the preset stations. Press and hold the Numeric buttons to store the listening station. Media Playback: Press the Numeric buttons to perform the below operation:

Adjust Microphone Position

For better sound quality in make/receive phone call through Bluetooth, place the microphone near the mouth.

1. Make sure the supplied microphone is connected to the car audio system.
2. Place the microphone at a proper location, for example:



Use Bluetooth Device

Pairing the Bluetooth device

On your Bluetooth-enabled device, follow the steps below.

1. Search for Bluetooth devices.
2. In the device list, select **GRUNDIG GX-6290BT**
3. Enter the default password "0000", and then confirm the password entry.

If the pairing is successful, the device name will be displayed on the LCD screen of this system.

Making a call

You can dial number through the mobile phone.

1. Use the Mobile Phone to dial and make an outgoing call
2. Once completed the dialing, the phone number and **[CALLING]** is displayed.

Receiving a Call

If there is an incoming call, the phone number will be displayed.

1. If the incoming call has no phone number, **[PHONE IN]** will be displayed.
2. Press to answer / accept the call.
3. When conversation ends, press to terminate the call.

Call Transfer

You can transfer voice from car speakers to mobile phones during a telephone conversation. During a telephone conversation, press and hold voice transfers from car speakers to mobile phone.

Bluetooth Audio Streaming A2DP

If the connected Bluetooth device supports Advanced Audio Distribution Profile (A2DP), you can listen to the music stored on the device through the unit. If the device also supports Audio Video Remote Control Profile (AVRCP) profile, you can use the control on the unit or its remote control to play music stored on the device.

1. Press **MODE** repeatedly to select **[BT AUDIO]**.
2. Press to start play, press it again to pause.
3. To track up/down, press / .
4. Press to view song title information.

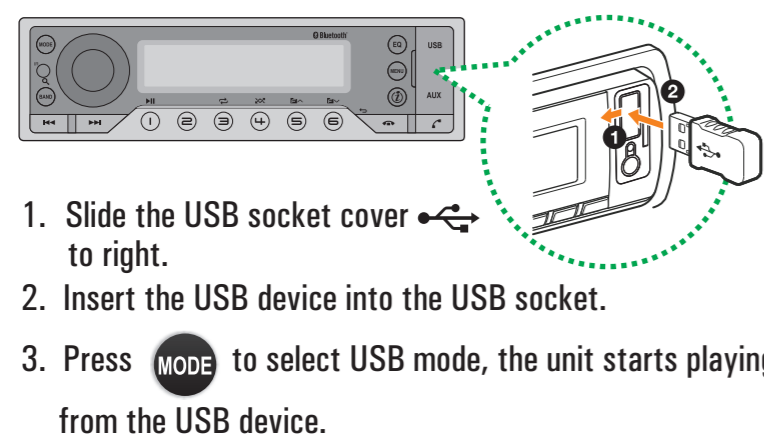
Adjust Setup Menu Settings

1. Press and hold **MODE** access into the Setup Menu, and then press repeatedly to select the item to be adjusted
2. Rotate to select a value/option.
3. Press the button to exit.

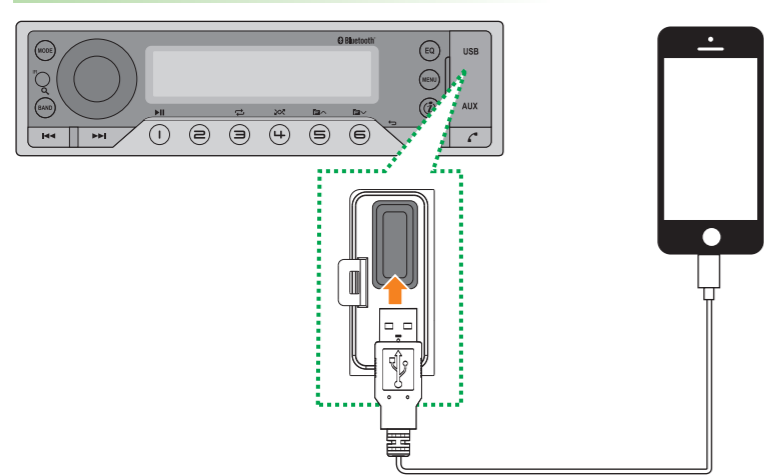
When you press or hold the following button(s)...

System Mode	Selectable setting
Clock Set	Adjust the Hours and Minutes
Clock Format	Select the time format 12H or 24H
Beep Tone	Turn On or Off this beep sound
Dimmer	Adjust the LCD display backlight level between High or Low
Reset	Restore the factory default settings.
Tuner Mode	Selectable setting
RDS On/Off	Turn On or Off the RDS function.
PTY (Program Type)	Once inside the PTY mode, press the get into program type item, and rotat encoder volume knob to selected category. <ul style="list-style-type: none"> Available Program Type: POP M; ROCK M; EASY M; LIGHT M; CLASSICS; OTHER M; JAZZ M; COUNTRY; NATION M; OLDIES M; FOLK M; A-TEST; ALARM; NEWS; AFFAIRS; INFO; SPORT; EDUCATE; DRAMA; CULTURE; SCIENCE; VARIED; WEATHER; FINANCE; CHILDREN; SOCIAL; RELIGION; PHONE IN; TRAVEL; LEISURE; DOCUMENT
AF (Alternate Frequencies)	<ul style="list-style-type: none"> ON: The unit will search for another station with stronger signal, but with the same program identification as the current station automatically. OFF: Turn off AF function
TA (Traffic Announcement)	<ul style="list-style-type: none"> ON: When there is traffic announcement, unit will automatically switch to the tuner mode (regardless of the current mode) and begins to broadcast the announcemnet on traffic conditions. When the traffic announcement is over, unit will automatically return to the previous mode. OFF: Traffic announcement does not cut in.
CT (Clock Time)	<ul style="list-style-type: none"> ON: Turn on the RDS clock. Time shown on the unit will synchronizes with the clock time of the RDS station. OFF: Turn off the RDS clock.
Local	<ul style="list-style-type: none"> ON: only stations with strong signal can be broadcast. The Local indicator will light up. OFF: Stations of both strong and weak signals can be broadcast.
Area	Select suitable country area for this unit: EUROPE;ASIA;MID-EAST;AUSTRIA;USA;LATIN;
BT Mode	Selectable setting
RE-CON /DIS-CON	This feature allows to Re-connect or Dis-connect to the paired mobile phone or Bluetooth device by manually.

Playing a USB device

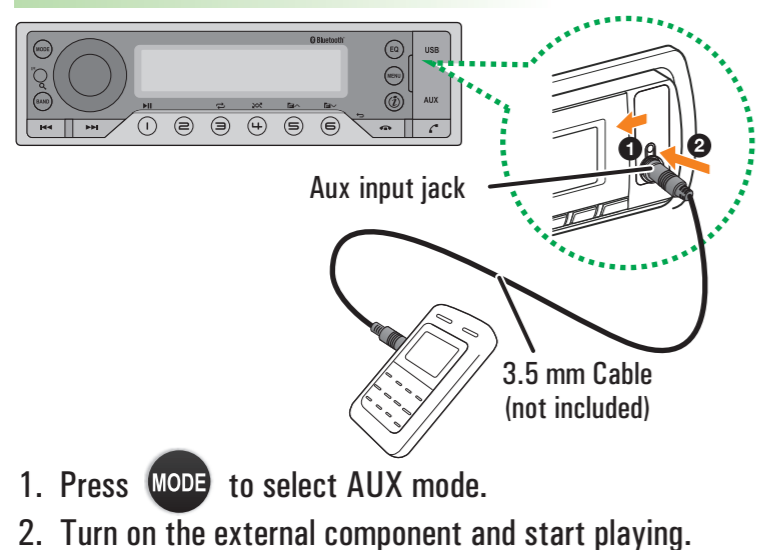


USB Smart Phone 1A charging



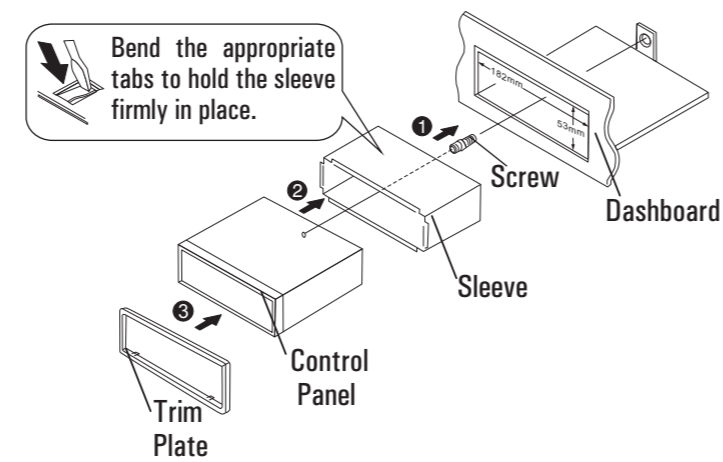
1. Slide the USB socket cover to right.
 2. Insert the iPhone/Smart Phone device into the USB socket.
 3. Once he iPhone/Smart Phone is connected and recognized, the iPhone/Smart Phone begins to charge.
- NOTE:** This USB only can charge Phones, but cannot play or decode music files stores inside the Smart Phones.

Listening to external Aux input

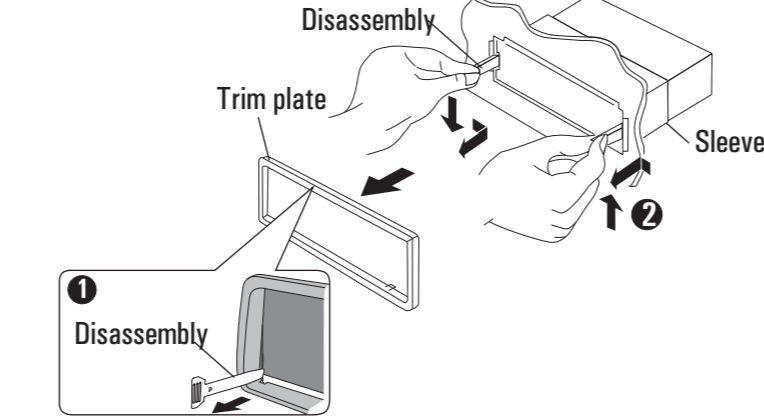


1. Press **MODE** to select AUX mode.
2. Turn on the external component and start playing.

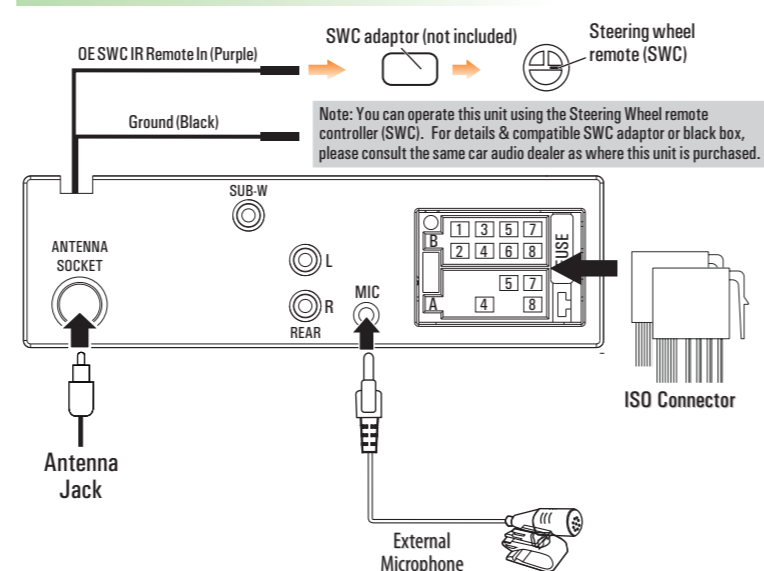
Installing the unit



Remove the unit



Wiring Connection



ISO Connector Wiring Chart

Pin	Color and function	Pin	Color and function
A4	Yellow Battery(+)	B1/B2	Violet Violet/Black
A5	Blue Connect to system control terminal of the power AMP or auto antenna relay/control terminal (Max 150MA/12VDC)	B3/B4	Grey Grey/Black
A7	Red Ignition(ACC)	B5/B6	White White/Black
A8	Black Ground	B7/B8	Green Green/Black

Technical Specifications

General	
Power Supply	12V DC (11V to 16V), negative ground
Fuse	15A
Speaker Impedance	4 - 8 Ohms
Maximum Power Output	4 x 50W MAX
Continuous Power Output	4 x 20W RMS (4 Ohms, 10% THD)
Pre-AMP Output Voltage	2.0V
Aux-In level	≥ 500mV
Operating Temperature	-20 ~ +60
Dimension (WxHxD)	188 x 58 x 137.8mm
Radio Tuner	
Frequency Range	FM 87.5MHz to 108.0MHz
	AM (Europe) 522KHz to 1620KHz
FM Tuner	Usable Sensitivity (S/N=20dB) 0.8uV
AM Tuner	Usable Sensitivity (S/N=20dB) 30uV
Supports Audio Format	
Audio Format	FLAC/WAV/MP3/WMA
Maximum Play Back Folder	255
Maximum Play Back File	60000
USB Device	
USB	USB1.1 Full speed
USB Port	Type A
USB Voltage	5.0V
Maximum USB Memory Size	32GB
USB Flash Drive and Hard	FAT16 / FAT32
Bluetooth	
Output Power	Class 2
Frequency Band	2.4000GHz - 2.4835GHz ISM Band
Range	3 meters (free space)
Standard	Bluetooth 2.1 specification
Compatible Bluetooth Profiles	Hands-Free Profiles (HFP) A2DP (Advanced Audio Distribution Profile) AVRCP 1.3(Audio / Video Remote Control Profile)

Size: 420x296mm (After Folding size: 105x148mm)

Color: 4 color printing

Paper: 105g粉纸

Printing: Double side printed