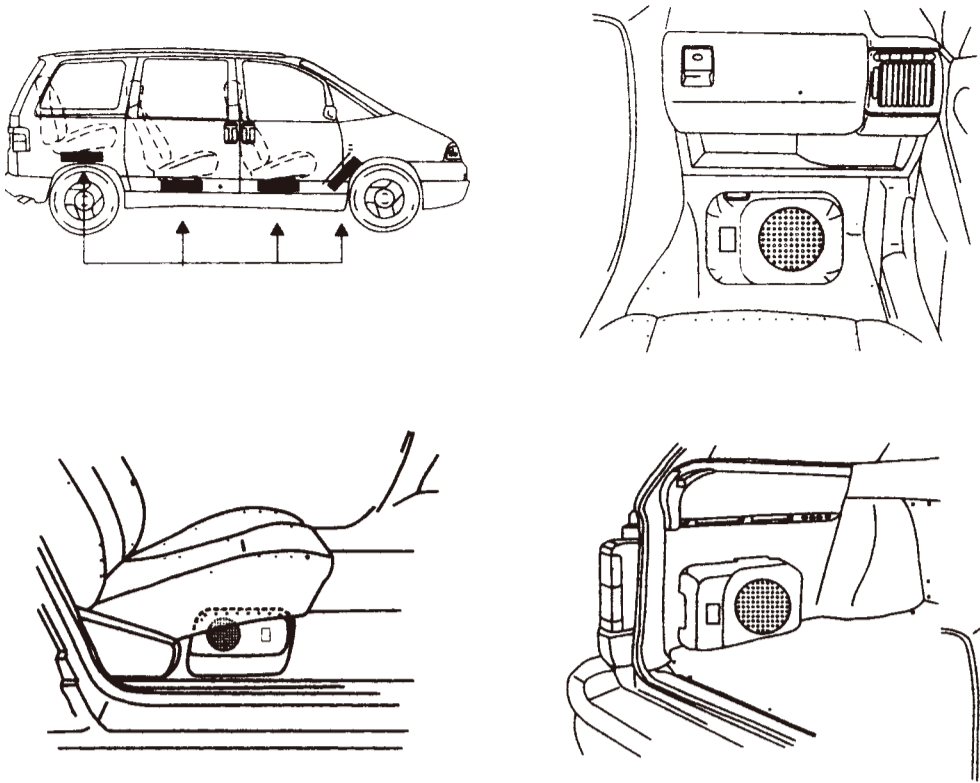
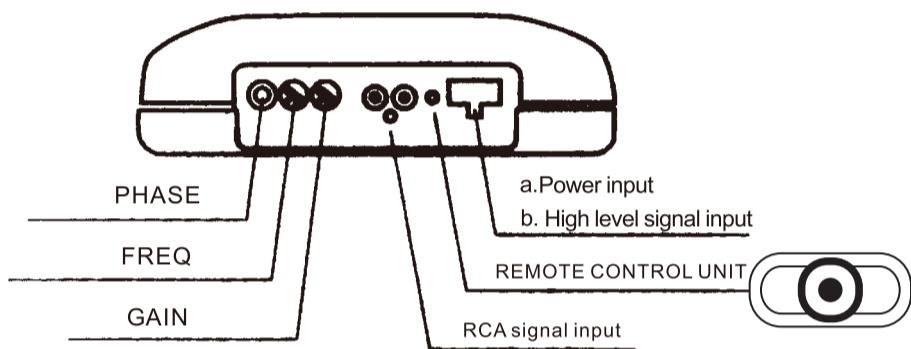


Subwoofer placement



Controls & connections



Features & specifications

- Dual 2 ohm Voice Coil
- Maximum output power: 150W
- Frequency: 20-120Hz
- S/N(A): 90dB
- Maximum current consumption: 10A
- RCA input: 80mV
- Speaker input: 0.8V
- Voltage: 14.4V (11-15V)
- RCA input/high level input
- Remote control for subwoofer level
- Phase switch: 0° or 180°
- Gain control
- Auto turn on/off for OEM systems
- Circuit protection
- Thermal protection
- Short protection
- Overload protection
- Slim woofer: 8 inch 2 ohm
- Size: 345(L) x 235(W) x 78(H) mm
- Die Cast Aluminium

Technical assistance

If you need assistance setting up or using your EOSS product now or in the future, call EOSS Support.

Australia
TEL: 03 – 8587 8898

FAX: 03 – 8587 8866

Mon-Fri 9am – 5pm AEST

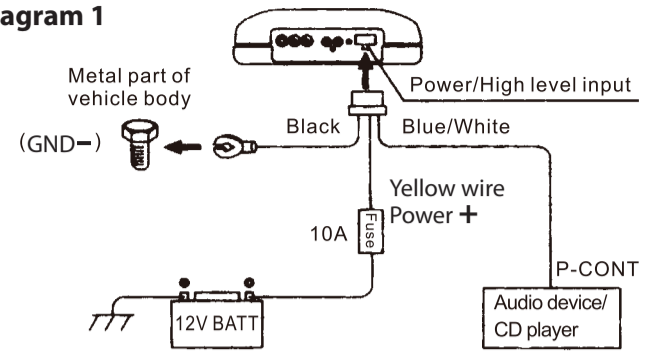


This manual is considered correct at time of printing but is subject to change. For a downloadable manual go to the web address <https://tdj.com.au/firmware/Eoss/> and search for your model.

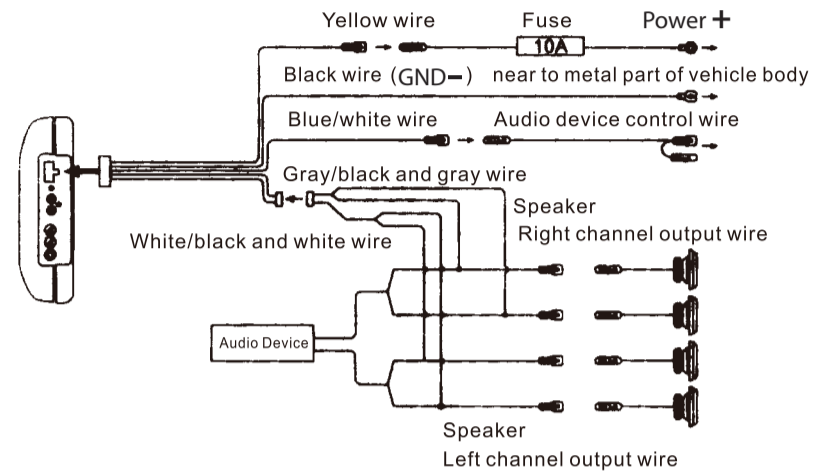
Copyright © 2017 by TDJ Australia
All rights reserved. No part of this publication may be reproduced, distributed, or transmitted in any form or by any means, including photocopying, recording, copying or other electronic or mechanical methods, without the prior written permission of the author.

Wiring configurations

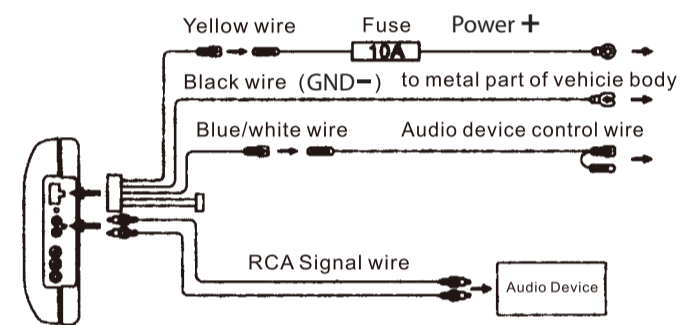
Wiring Diagram 1



Wiring Diagram 2 (High level input)



Wiring Diagram 3 (Low level RCA input)



8" DUAL VOICE COIL SUBWOOFER SYSTEM MANUAL

150W



2+2
OHM OHM

FOR
OEM
SYSTEMS

REMOTE
BASS
CONTROLS

RCA
INPUT