

# Clarion VX387AU

Quick Start Guide

## WARNING

- For safety reasons, do not perform any operations while driving. Doing so can take your mind off the road and create the risk of a traffic accident.
- Always stop your vehicle in a safe place before operating the unit.
- Please keep the volume at a level at which external sounds can be heard while driving.

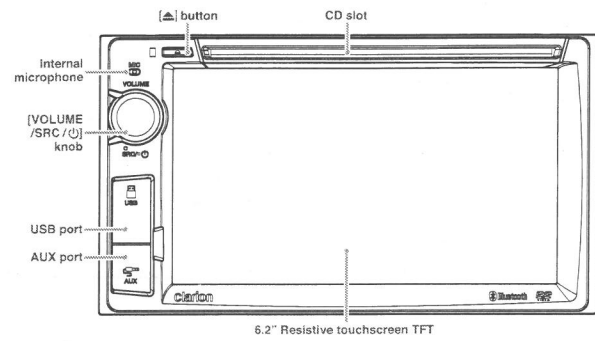
## Operation Panel

For a longer service life, be sure to read the following cautions.

- Do not allow any liquids on the set from drinks, umbrellas, etc.
- Do not disassemble or modify the set in any way.
- Subjecting the operation panel to shocks may result in breakage, deformation, or other damage.
- Do not allow any hot objects or hot ashes to come in contact with the display at any time.
- If a problem should occur, have the set inspected at your store of purchase.
- The remote control unit may not work if the remote control sensor is exposed to direct sunlight.
- In extremely cold weather, the display movement may slow down and the display may darken, but this is not a malfunction. The display will work normally when the temperature increases.
- Small black and shiny spots inside the operation panel are normal for LCD products.
- The touchkeys on the display operate when slightly touched. Do not press the touchkey screen with much force.
- Do not push the case surrounding the touchkey panel with much force. This may cause malfunctioning of the touchkeys.

Note: For details on the complete operation of the unit, please refer to the complete owner's manual.

## GENERAL GUIDE



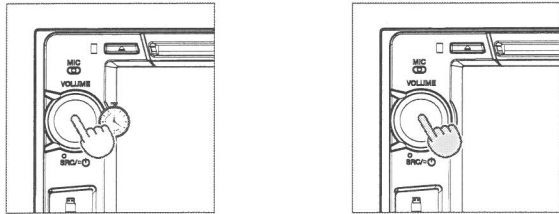
## CONTROLS

### Button Layout

- CD slot**
  - CD/DVD Insertion.
- USB port**
  - USB/iPod device insertion.
- [EJECT] button**
  - Eject disc.
- AUX port**
  - 3.5mm Audio jack insertion.
- Internal microphone**
  - For handsfree.
- 6.2" Resistive touchscreen TFT**
  - Display and interactive button operation.
- [VOLUME/SRC/CD] knob**
  - Adjust the volume.
  - Press to change source mode during power on mode.
  - Press to turn monitor on during standby mode.
  - Long press to enter standby mode.
- Steering Wheel Remote Control (Rear)**
  - 3.5 mm steering wheel remote control jack insertion.

## POWER BUTTON OPERATIONS

- To enter standby mode**  
When the unit is powered on, push and hold the VOLUME knob for more than 1 second.
- To wake the unit up from standby mode**  
When the unit is in standby mode, push the VOLUME knob.



## CAUTION

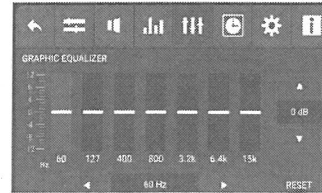
- Be careful when using this unit or in standby mode for a long time without running the engine. If you drain the car's battery too far, you may not be able to start the engine and this can reduce the service life of the battery.

## ADJUST THE AUDIO

- Press the [Settings] button on the Home Screen.
- Press the desired button to perform specific operations.

### Category on screen

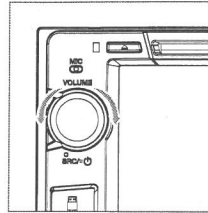
[Balance/Fader]	Adjusting the balance/fader
[Time Alignment]	Adjusting the time alignment
[Sound Effect]	Adjusting the sound effect and sub woofer
[Graphic Equalizer]	Adjusting the graphic equalizer



## ADJUST THE VOLUME

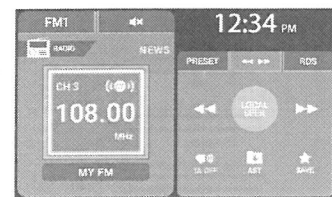
Adjust the volume in any mode.

- Turn Clockwise: Increase sound volume.
- Turn Counter-clockwise: Decrease sound volume



## TUNE TO RADIO STATION

- Press the [Radio] button on the Home Screen.
- Press the desired button to perform specific operations.



### Control on screen

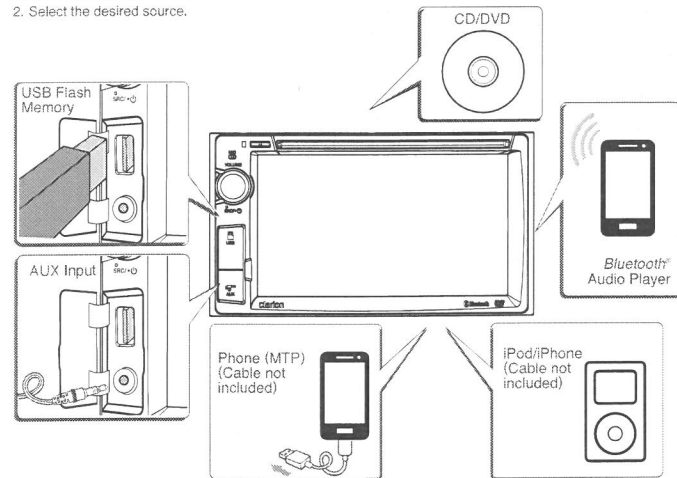
[SEEK/PRESET/RDS]	Select SEEK/PRESET/RDS tab.
-------------------	-----------------------------

[FM1]	Toggle Radio band
[FM2]	
[FM3]	
[AM]	
[MUTE]	Toggle mute/unmute
[FREQ]	Frequency seek up/down
[AUTO]	Trigger Autostore
[DX]	Toggle between Auto/Local/Manual seek mode
[LOC]	
[MANU]	
[T.A.]	Toggle Traffic Announcement standby mode
[PRESET]	Store frequency into preset channel
[RECALL]	Recall frequency in preset channel
[P.T.]	Toggle Programme Type standby mode
[A.F.]	Toggle Alternate Frequency standby mode
[R.]	Toggle Regional standby mode

## PLAY AUDIO FROM EXTERNAL MEDIA

For CD/DVD, USB, MTP, iPod, Bluetooth, Aux

- Insert/ Connect the desired external media.
- Select the desired source.



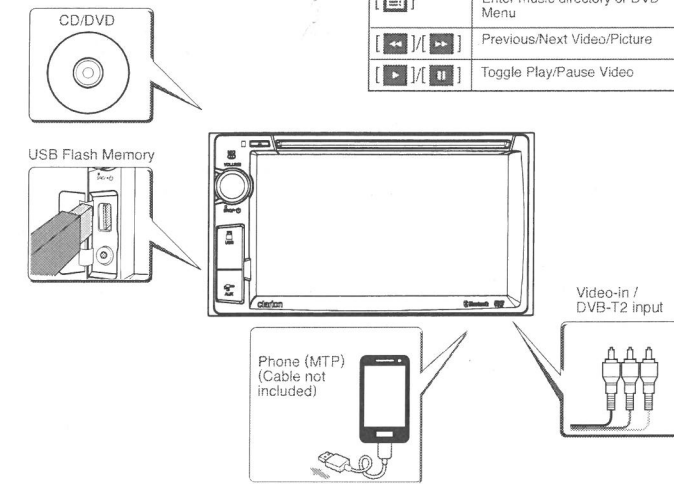
### Control on screen

[Menu]	Enter music directory or iPod Menu	[Repeat]	Repeat
[Previous/Next]	Previous/Next track	[Random/Shuffle]	Random/Shuffle
[Play/Pause]	Toggle Play/Pause		

## PLAY VIDEO/PHOTO FROM EXTERNAL MEDIA

For CD/DVD, USB, MTP, Video Input, DVB-T2

- Insert/connect the desired external media.
- Select the desired source.



### Control on screen

[Menu]	Enter music directory or DVD Menu
[Previous/Next]	Previous/Next Video/Picture
[Play/Pause]	Toggle Play/Pause Video

## BLUETOOTH HANDSFREE

Before any handsfree function can be used, the system must be pair with the phone for the first time.

### Pairing with phone

- Go to Phone → Bluetooth Settings tab → Pair Device System will enter discoverable mode for 120 seconds
- Use your phone to search for "CLARION".
- Perform one of the method below:

**For newer phone that supports Simple Secure Pairing (SSP):**  
A random 6 digit passkey will be displayed. Compare and confirm the passkey on both the phone and head unit are matched.

**For classic phone:**  
Enter the defined PIN code when prompt ("0000" by default).

Upon successful pairing, system will automatically connect with the phone.



### Outgoing call

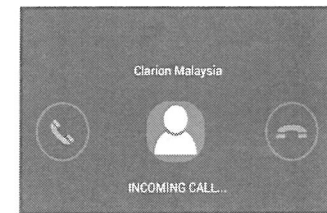
Outgoing call can be performed via keypad, call history or contacts from phone. System will be able to download the entire phone-book from the mobile phone if it is supported.

### Category on screen

[Voice Dialer]	Voice dialer
[Keypad]	Phone keypad
[Contacts]	Downloaded contacts from phone
[Call History]	Call history

### Incoming call

Press the [Call] button to accept call while press the [Reject] button to reject the call.



## SPECIFICATIONS

### FM Tuner

Frequency Range : 87.50 ~ 108.00 MHz  
Usable Sensitivity : <10 dB  
Stereo Separation (1 kHz) : >20 dB  
Frequency Response : 100 ~ 7000 Hz

### AM Tuner

Frequency Range : 531 ~ 1602 kHz  
Usable Sensitivity : <34 dB

### DVD Player

System : Digital Versatile Disc System with CDDA capable  
Usable Discs : DVD video disc, Compact disc  
Frequency Response : 17 ~ 20 000 Hz  
Signal-to-Noise Ratio : >70 dB  
Harmonic Distortion : <0.3%

### USB

Specification : USB 2.0  
File system : FAT16, FAT32  
Playable audio format : MP3 (.mp3), WMA (.wma), AAC (.m4a)  
Playable video format : AVI (.avi), MP4 (.mp4), MPG (.mpeg), VOB (.vob), DAT (.dat)  
Playable image format : JPEG (.jpeg)

### iPod/ iPhone

Supported iPod/ iPhone:  
iPhone 6S Plus, iPhone 6S,  
iPhone 6 Plus, iPhone 6,  
iPhone 5S, iPhone 5C, iPhone 5,  
iPhone 4S,  
iPod Touch 6th Gen, iPod Touch 5th Gen,  
iPod Nano 7th Gen

### Bluetooth

Version : Bluetooth® 3.0  
Frequency Range : 2.40 ~ 2.4835 GHz, ISM band  
RF Power : Class 2 (2.5 mW)  
Telephone Operation : Noise reduction, echo cancellation, full duplex telephony

### Screen

Screen size : 6.2 inch  
Resolution : 800 x 480  
Touch type : TFT Active Matrix Display

### General

Power Source Voltage : 10.8V - 15.6V  
Current Consumption : Less than 15A  
Weight of the Main Unit : 1.6kg  
Dimensions of the Main Unit : 178.0 mm Width X 100.0 mm Height x 155.5 mm Depth  
Maximum Power Output : 200 W (50 W x 4 ch)  
Operating Temperature : -20°C ~ +70°C

### About the registered marks, etc.

"Made for iPod" and "Made for iPhone" mean that an electronic accessory has been designed to connect specifically to iPod or iPhone, respectively, and has been certified by the developer to meet Apple performance standards. Apple is not responsible for the operation of this device or its compliance with safety and regulatory standards. Please note that the use of this accessory with iPod or iPhone may affect wireless performance. iPhone, iPod, iPod nano and iPod touch are trademarks of Apple Inc., registered in the U.S. and other countries. Lightning is a trademark of Apple Inc.

Copyright 2015 Google Inc. Font used in this product is licensed under the Apache License, Version 2.0 (the "License"); you may not use this file except in compliance with the License. You may obtain a copy of the License at <http://www.apache.org/licenses/LICENSE-2.0> Unless required by applicable law or agreed to in writing, software distributed under the License is distributed on an "AS IS" BASIS, WITHOUT WARRANTIES OR CONDITIONS OF ANY KIND, either express or implied. See the License for the specific language governing permissions and limitations under the License.

The Bluetooth® word mark and logos are registered trademarks owned by the Bluetooth SIG, Inc. and any use of such marks by Clarion is under license. Other trademarks and trade names are those of their respective owners.

Dolby, Dolby Audio and the double-D symbol are trademarks of Dolby Laboratories.

This product incorporates copyright protection technology that is protected by U.S. patents and other intellectual property rights. Use of this copyright protection technology must be authorized by Rovi Corporation, and is intended for home and other limited viewing uses only unless otherwise authorized by Rovi Corporation. Reverse engineering and disassembly are prohibited.



# INSTALLATION AND WIRE CONNECTION

## Safety Precautions

The Installation and Wire Connection Manual is intended for authorised Clarion dealers. Due to the complexity of the vehicle's wiring and components, it is recommended an authorised Clarion dealer perform the installation. For the location of nearest authorised Clarion dealer, please visit [www.clarion.com.au/Dealer\\_Locator](http://www.clarion.com.au/Dealer_Locator). For your safety, the Owner's Manual should be read thoroughly to familiarize yourself with controls and functionality. Please see the enclosed CD-R which contains your Owner's Manual.

### Symbol Identification

This manual uses symbols and icons to indicate safety precautions and concerns during the installation procedure. Be sure to carefully read and understand each precaution prior to beginning the installation.

#### WARNING

This symbol is intended to alert the user to the presence of important operating instructions. Failure to heed the instructions may result in severe injury or death.

#### CAUTION

This symbol is intended to alert the user to the presence of important operating instructions. Failure to heed the instructions can result in injury or material damage.

### Installation precautions

#### WARNING

When installing the unit to a vehicle with an airbag system, never install it in a place where it may affect the operation of the airbag.

Do not install this unit in the following locations:  
 A location interfering with the driver's visual range or operation.  
 A location where the gear shift or brake pedal are hindered.  
 A location where passengers are at risk.  
 An unstable location, or where the system may fall.

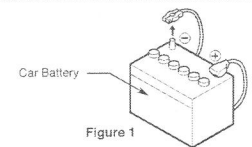
#### CAUTION

Do not install the system in the locations described below. This may cause a fire, accident or electrical shock:

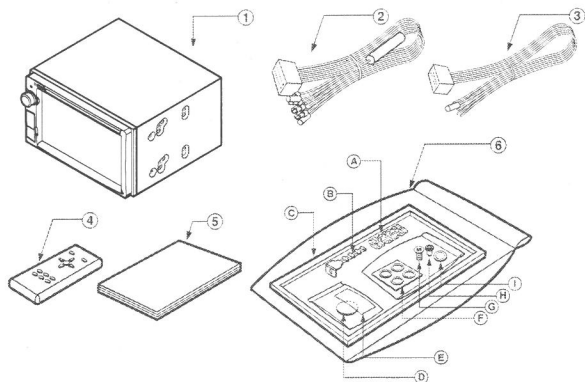
- A location exposed to rain or dust.
- A location interfering with the driver's visual range or operation of the vehicle.
- An unstable location, or where the system may fall.
- Do not install this unit in a place exposed to direct sunlight, heat or place where the vent holes or heat radiation holes are covered.
- When you install the antenna, mount it in a place where the elements of the antenna do not protrude beyond the edge of the front, back, left and right of the vehicle.
- If it comes in contact with pedestrians, it may cause an accident.

## Before Starting

- This set is exclusively for use in cars with a negative ground, 12 V power supply.
- Read these instructions carefully.
- Be sure to disconnect the battery "⊖" terminal before starting. This is to prevent short circuits during installation. Please check with car owners manual before dismantle the battery terminal. (Figure 1)
- Be particularly careful where you route the wires. Keep them well away from the engine, and exhaust pipe, etc. Heat may damage the wires.

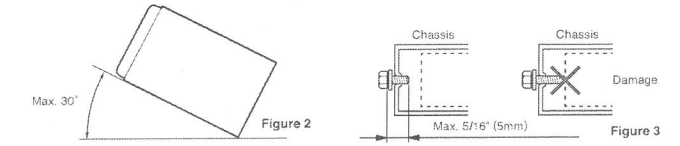


## Package Contents



- |                           |                                 |
|---------------------------|---------------------------------|
| ① Source unit             | ⑥ Contents in the accessory bag |
| ② Extension Lead (16 PIN) | ⑥ Electro tap                   |
| ③ Extension Lead (12 PIN) | ⑦ Bracket                       |
| ④ Remote control unit     | ⑧ Finisier                      |
| ⑤ Quick start guide       | ⑨ Battery for remote control    |
| ⑥ Bag for accessories     | ⑩ Battery label                 |
|                           | ⑪ Double face tape              |
|                           | ⑫ Flat head screw               |
|                           | ⑬ Ring head screw               |
|                           | ⑭ Spacer                        |

## Cautions on Installation

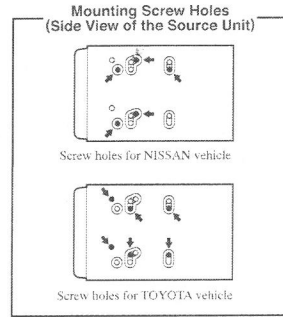


- Prepare all articles necessary for installing the source unit before starting.
- Install the unit within 30° of the horizontal plane. (Figure 2)
- If you have to do any work on the car body, such as drilling holes, consult your car dealer beforehand.
- Use the enclosed screws for installation. Using other screws can cause damage. (Figure 3)

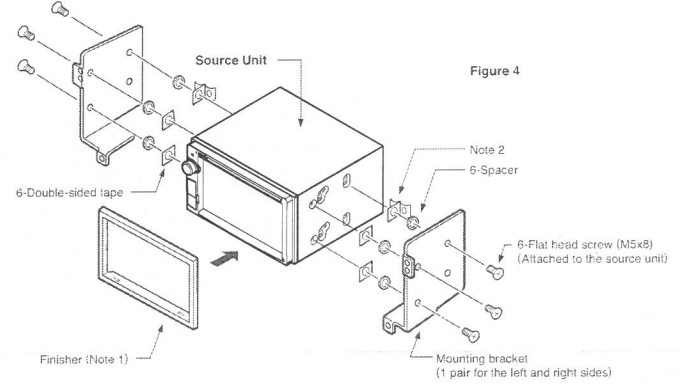
## Installing the Source Unit

This unit is designed for fixed installation in the dashboard.

- When installing the source unit in NISSAN vehicles, use the parts attached to the unit and follow the instructions in Figure 4.
- When installing the source unit in TOYOTA vehicles (Figure 5), use the parts attached to the vehicle and follow the instructions in Figure 4.
- Wiring as shown in "Wire Connection".
- Reassemble and secure the unit in the dashboard and set the face panel and center panel.

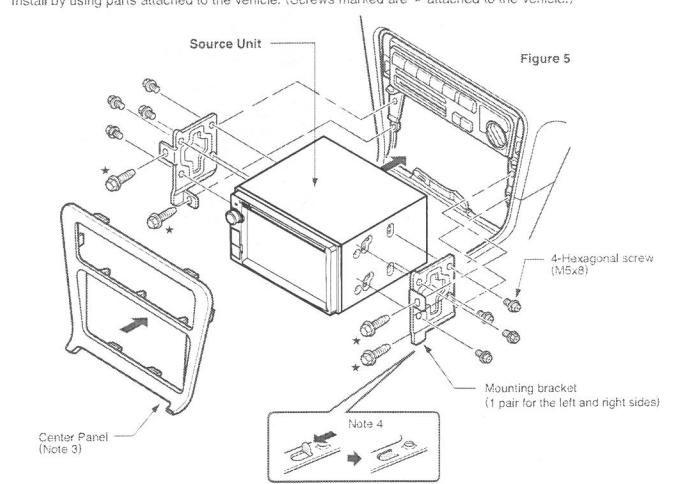


### Installing the Source Unit in a NISSAN Vehicle

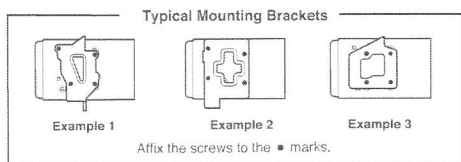


- Note 1: Position the face panel with its wide edge at the bottom. Fit the edge into the groove of the source unit.
- Note 2: Peel off the exfoliation sheet from the tape and attach the spacer to the source unit.

### Installing the Source Unit in a TOYOTA Vehicle



- Note 3: Some panel openings are too small for the unit depending on the vehicle type and model. In such a case, trim the upper and lower sides of the panel frame by about 1.64" to 3/16" (0.5 to 1.5mm) so the unit can be inserted smoothly.
- Note 4: If a hook on the installation bracket interferes with the unit, bend and flatten it with a nipper or similar tool.

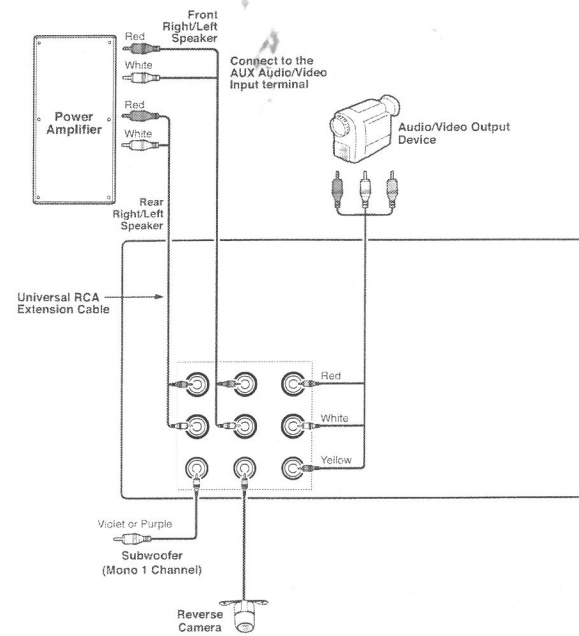


Vehicles other than NISSAN and TOYOTA  
 In some cases the center panel may require modification. (Trimming, filing, etc.)

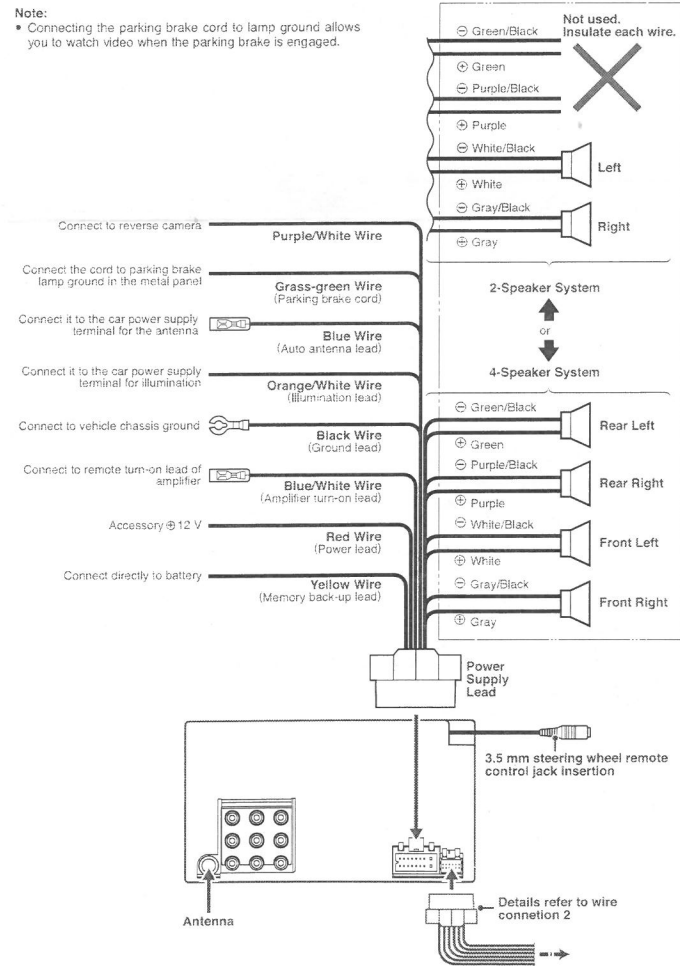
Removing the Source Unit  
 When the source unit is to be removed, disassemble it in the reverse of the order in "Installing the Source Unit".

## Wire Connection 1

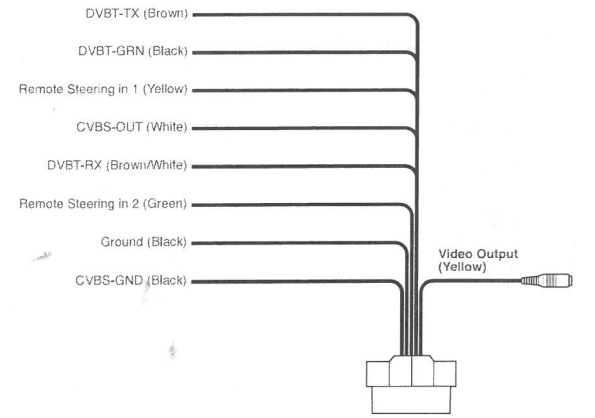
- Notes:
- Before installing, be sure to disconnect the negative ⊖ cable of the car battery.
  - In the optional devices, the Extension Cable and Accessories are separately-sold items.



CAUTION: Please make sure the external power amplifier and ground amplifier are connected to car chassis properly.

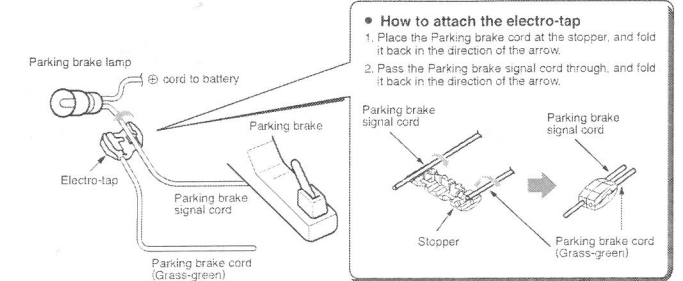


## Wire Connection 2



Connecting the parking brake cord  
 Connect the cord to parking brake lamp ground in the meter panel.

- Notes:
- Connecting the parking brake cord to lamp ground allows you to watch video images when the parking brake is engaged.
  - When the parking brake cord is not connected, the monitor will not display video images.



Connecting the reverse gear signal cord (For installation with reverse camera)  
 Connect reverse signal lead using the supplied electro-taps.

- Notes:
- Place the lead from this unit at the stopper, and fold it back in the direction of the arrow.
  - Pass the vehicle signal lead through, and fold it back in the direction of the arrow.

