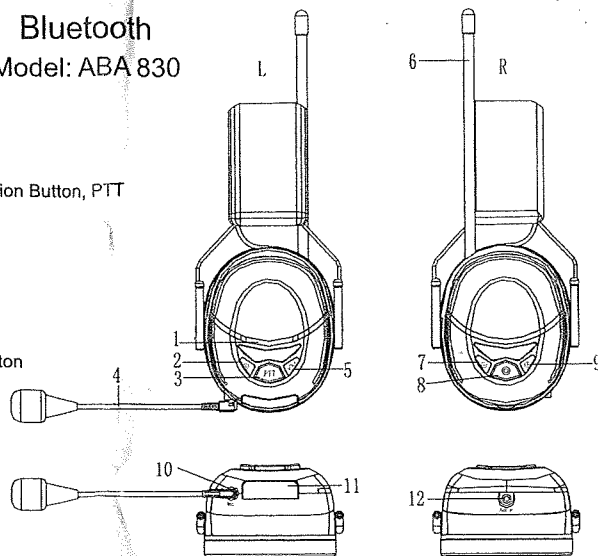


AM/FM Earmuff Radio with Bluetooth Model: ABA 830

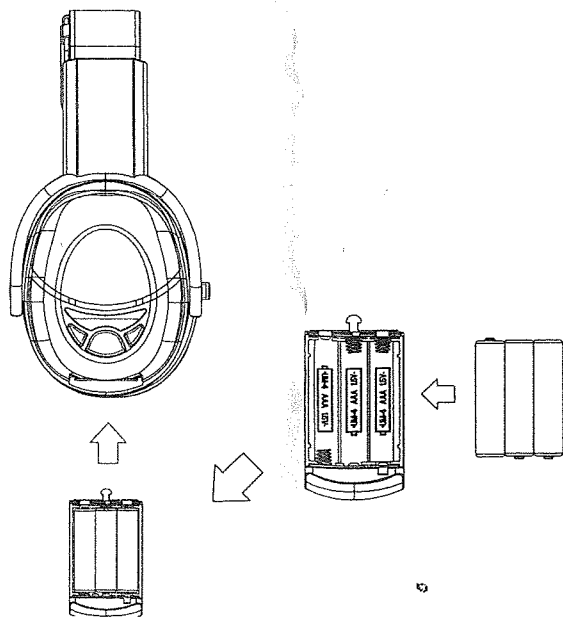
LOCATIONS OF CONTROLS

1. Bluetooth LED Indicator
2. Bluetooth Volume Button, VOL ⊖
3. Bluetooth On/Off Button / Communication Button, PTT
4. Bluetooth External Boom Microphone
5. Bluetooth Volume Button, VOL ⊕
6. FM Antenna
7. Radio Function Button ⊖
8. Radio On/Off/Menu Button ⊙
9. Radio Function Button ⊕
10. Bluetooth Mic Jack
11. Battery-Compartment Press Open Button
12. Auxiliary Jack, Aux-in



BATTERY INSTALLATION

1. Press the Battery-Compartment Button (11) and slide out the battery tray.
2. Insert three AAA sized batteries (UM4, 1.5V x 3) into the battery compartment with the correct polarity.
3. Slide the battery tray back into its original position.



RADIO OPERATION

1. Press and hold the Radio On/Off/Menu Button ⊙ (8) for 2 seconds. The radio will switch on with a "D, DO" sound.
2. Frequency search: When not in setup mode, press Radio ⊖ / ⊕ Function Buttons (7) or (9) to search a frequency manually. Hold on for 2 seconds, the frequency can be searched automatically until a radio station is found. A "D" sound will be heard when the minimum / maximum frequency is reached.
3. Volume control: Press Radio On/Off/Menu Button ⊙ (8) once to enter the volume setting. The word "VOLUME" will be heard. Press Radio ⊖ / ⊕ Function Buttons (7) or (9) to decrease / increase the volume. A "D" and a "DO" sound will be heard respectively when the minimum / maximum volume is reached. Once setup, wait for 3 seconds. It will return to standby mode and memorise the volume you have just adjusted. A "D" will sound. If you press Radio On/Off/Menu Button ⊙ (8) again, the volume can be reset.
4. Band selection: Press On/Off/Menu Button ⊙ (8) twice to enter the band selection. The word "BAND" will be heard. Press Radio ⊖ / ⊕ Function Buttons (7) or (9) to select AM / FM. The word "AM" or "FM" will be heard. Wait for 3 seconds, it will return to standby mode and memorise the band you have just selected. A "D" sound will be heard. If you press ⊙ (8) twice again, the band can be reset.
5. Press and hold On/Off/Menu Button ⊙ (8) for 2 seconds. The radio will be switched off with a "D" sound.

AUXILIARY JACK OPERATION

1. The Auxiliary Jack, Aux-in (12) can be connected to any audio device, such as MP3 by using an auxiliary cable.
2. As both audio of ABA830 and the audio device can be heard, turn off the volume of ABA830.
(See Radio Operation, Step 3)
3. Adjust the volume of your audio device to an appropriate level.

BLUETOOTH HEADSET OPERATION

1. In turn-off condition, press and hold PTT (3) for 2 seconds. When the blue light flashes, Bluetooth function is on.
2. In turn-on condition, press and hold PTT (3) for 5 seconds to turn off Bluetooth function.
3. Pairing Bluetooth with cell phone: In turn-off condition, press and hold PTT (3) for 5 seconds to initiate pairing. The blue and green lights will flash alternatively. Open the "Bluetooth setup" menu in your cell phone to search for this Bluetooth device "T909s". When the cell phone asks for a User Code or passkey, enter 0000 (four zeros). Then the blue light will flash.
If 90 seconds have been passed but no connection can be made, this Bluetooth device will retreat from the pairing mode.
4. For incoming call, press PTT (3) to receive the call.
5. In communicating condition / For outgoing call, press and hold PTT (3) to turn off conversation or cancel the numbers dialed.
6. In connection mode, press VOL+ (5) to increase the volume.
7. In connection mode, press VOL- (2) to decrease the volume.
8. In hand-free condition, press and hold VOL+ (5) to redial the previous numbers that were keyed in.