



AUDIOLINE



HD 720P

DASH CAM

ALDC100 USER MANUAL

Introduction

Thank you for purchasing the Audioline ALDC100 HD 720P Dash Cam. Please ensure that you have read the product manual and instructions in full, prior to installation and use. Failure to do so may result in product failure/damage or incorrect operation and therefore impact the product performance.

Product overview

The Audioline ALDC100 Dash Cam has been designed to provide high definition recordings of your trips for security and evidence in the case of an accident. The Dash Cam simply mounts to the windscreen and records footage onto a Micro SD memory card. It has a G-sensor with adjustable sensitivity and loop recording functionality.

ATTENTION: Please charge the unit for 4 hours before installing

Product features

- HD 1280 x 720 @ 30FPS
- 140 Degree HD wide angle lens
- Time and date stamp
- G-Sensor function
- Mini USB interface
- Seamless cycle loop recording
- Suction cup car mount
- Built-in MIC and Speaker
- 12V in-car USB charger
- 4 GB Micro SD Card (Supports up to 32GB, class10)

Table of Contents

Introduction	2
Product overview	2
Product features	2
Table of contents	3
Package components	4
Product structure	5
Installation of Dash Cam	6
Fixing the Dash Cam	7
Indicator lights	7
Instructions for video and photo operation	8
Video/Photo playback	9
Dash Cam functions.	10
Menu setting features explained	10
Resetting Dash Cam	12
Dash Cam glossary	12
Product specifications	15
Trouble shooting guide	16
Safety information & warnings	17
Infringement of copyright warning	17
Technical assistance	18

Package components



ALDC100



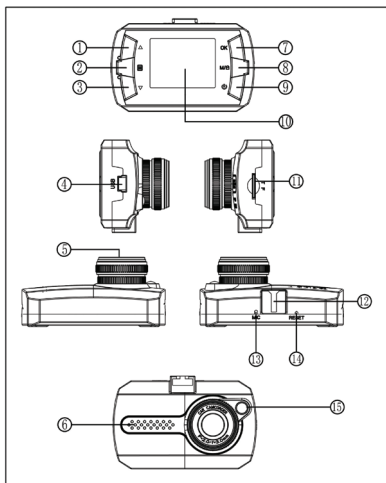
Mounting
Bracket



4G Micro SD
Card



Car Charger

Product structure


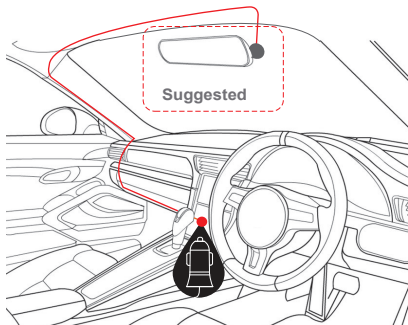
- 1) Up
- 2) Menu
- 3) Down
- 4) Mini USB
- 5) Lens
- 6) Speaker
- 7) OK Button

- 8) Mode/Lock Button
- 9) Power Button
- 10) LCD
- 11) Micro SD Card Slot
- 12) Mounting Slot
- 13) MIC
- 14) Reset
- 15) IR LED

Installation of Dash Cam

1. Ensure windscreen is clean and free of debris. Attach suction cup to the windscreen and lock into position with the lever.
2. Fix where the vision is not blocked (Place close to rear-view mirror is recommended). Don't install device on airbag or within its working range.
3. Insert Micro SD card into the Dash Cam
4. Insert Mini USB end of the power cord into the Mini USB interface/charging point of the Dash Cam. Connect USB charging end of the cable into USB socket adapter, place adapter into 12V power socket of vehicle.
5. Adjust the mounting bracket and rotate the camera direction to get the best view. Ensure $\frac{1}{4}$ of the vehicles bonnet is visible from the bottom of the screen for alignment.
6. Turn vehicles ignition to accessories, push the power button on the Dash Cam and it will power ON and start recording automatically, you will hear an audible tone once powered.
7. A blue LED will start flashing when recording has started.
8. A solid red LED will show when the Dash Cam is receiving power.
9. For the Dash Cam to work it must receive power from the charging adapter. Once power is removed or turned off the Dash Cam will save the current file and turn off.

Fixing the Dash Cam



Indicator lights

1. When the blue LED is flashing, the Dash Cam is in recording mode.
2. When the blue LED is solid the Dash Cam is in standby mode.
3. When the red LED is on, the Dash Cam is being powered by the car.

Instructions for video and photo operation

Powering device on and off:

To turn on the Dash Cam press the power key once, the red indication lamp will be light up if it is connected to a power source. To turn it off, hold down the power button and the device will turn off.

WARNING: The device will automatically turn off once the battery hits critically low levels.

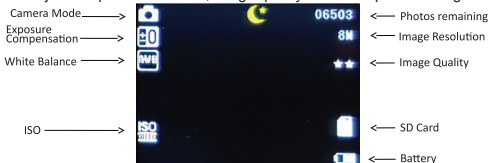
Video Mode

Press the Mode button to switch to video mode if not already. To start recording in video mode press the OK button to start the recording. You know it is recording by the red circle indicator on the top left corner of the LCD. To stop the recording, simply press the OK button again.



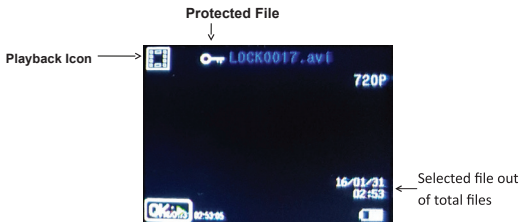
Photo Mode

Press the Mode button to switch to photo mode. There is a camera icon at the top left corner of the LCD to signify you are on photo mode. To take a photo, press the OK button. The screen will flash and make a camera sound when a picture is taken. Pressing the Menu button in photo mode will allow you to adjust the photo resolution, image quality and other photo settings.



Video/Photo playback

Press the mode button until you see the video reel icon on the top left of the screen representing playback mode. Using the arrow buttons, you can choose between all your recorded videos or photos. The protected files have a lock icon meaning they cannot be deleted until unlocked. Press the OK button to select a file for playback. Pressing the Menu/Mode button will give the option to delete the file or unlock the file. Simply press the Mode button again to return to video mode.



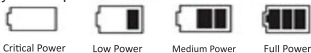
DASH CAM functions

Menu Settings

Press the Menu button to get into the menu settings. You can navigate the settings menu by using the Up/Down buttons. To change or edit a selected setting, press the OK button. Press the menu button again to get out of the menu settings.

USB Mode

When connecting a USB cable with a PC, the Dash Cam will present two options. 'Mass Storage' allows you to transfer your videos and photos to your PC. The 'PC Camera' option allows you to use your Dash Cam as a webcam for your computer.



When the Dash Cam is charging, a red indicator on the Dash Cam glows red. The Dash Cam takes about 2 hours to fully charge. When the Dash Cam hits full charge, the red indicator will turn off. The Dash Cam can be charged multiple ways:

1. Using the provided car charger.
2. Using a USB cable to connect to the Mini USB interface (not included).

Menu setting features explained

Resolution:

The recommended resolution should be set at '720p 1280x720' in order to get the best quality footage.

Loop Recording:

This feature allows you to set the size of the files your Dash Cam will record before saving and creating a new file. We recommend the Dash Cam to be set to '3' minute files

Exposure:

This feature will change the white input. We recommend it always be set at '+0.0'.

Record Audio:

This Feature will allow you to turn the Dash Cam's recording sound on or off. If you want to stop the Dash Cam recording sound in the cab of your vehicle, set this feature to 'off'.

Date Stamp:

This feature will stamp the date and time on all your footage produced by your Dash Cam.

G Sensor:

This feature allows you to set the sensitivity of the Gravity sensor in the Dash Cam. We recommend this be set to '4G' to help stop false or irrelevant readings.

Parking Mode:

When enabled, the Dash Cam will automatically turn on and start recording when it detects an impact against the car when parked. A 'P' icon appears on the screen when on. Settings are 2G, 4G & 8G for sensitivity. We recommend 8G (less sensitive) for false triggers.

Date/Time:

This feature will allow you to change the year, month, day and time. To change the date simply use the arrow keys to go up or down. Press the OK button to move onto the next section. Again, use the arrow buttons to go up or down. Once through all the sections, pressing OK again will finish the setup.

Screen savers:

This feature will turn your LCD off after 1, 3 or 5 minutes but will continue to record regardless. This feature is useful for night driving as having the LCD on could be a distraction.

Beep Sound:

Allows you to turn the beeping sound on or off.

Language:

Allows you to choose from a selection of languages that include: English, French, Spanish, Dutch, Italian, Simplified Chinese, Traditional Chinese, Russian, Japanese, Korean and Czech.

Frequency:

This feature allows the best recording in conditions where street lights and ac lighting is used. The Australian standard frequency is 50HZ so it should be set to '50hz'.

Format:

This feature allows you to format/delete all the files off your micro SD card and also reinstalls your DCIM directory and Dash Cam software on your SD card so the micro SD card can operate with your Dash Cam free of errors.

Default Setting:

This feature will reset all your settings and return your Dash Cam to the factory standard settings.

Version:

This simply shows the firmware/software employed by the Dash Cam's hardware.

Resetting DASH CAM

To hard reset the device in the case of a system jam or crash. Insert a fine point paper clip into reset hole on the top of the unit.

DASH CAM glossary

Micro SD Slot:

Where the Micro SD card is inserted (Max size is 32GB Class 10).

USB Interface:

The supplied car charger is used to power the Dash Cam via the Mini USB interface. A mini USB cable (not supplied) can also be used to connect to a computer for data transfer.

G-sensor Function:

The G-sensor function activates in the case of a car accident by determining the gravitational acceleration ($1g = 9.8 \text{ meters/second}^2$). When this function activates, the Dash Cam will take a picture.

Ignition Auto Power On/Off:

Once power is connected to the device (ie: when the vehicles ignition is turned on), the Dash Cam will automatically turn on and start recording. When the power is disconnected, or car is turned off, the Dash Cam will automatically save the file and shutdown.

MIC:

Audio receiver for video recording.

Resolution:

Resolution is 1280x720 @ 30P

Record Time (Loop):

This feature allows the Dash Cam to record over the oldest recorded files once the card is full. The card records video in 3 minute files. If you want to keep any of the files it is best to upload them to your computer.

Mute microphone:

Turns microphone recording sound on or off. If you want to stop the Dash Cam recording sound in the cab of your vehicle, set this feature to 'off'. The microphone can be muted in the video menu settings of the Dash Cam.

WDR (Wide Dynamic Range):

Wide Dynamic Range can allow for better quality footage in areas where both bright light and no light are present.

Language:

Allows you to choose from a selection of languages that include: English, Simplified Chinese, Traditional and Japanese.

Format:

This feature allows you to format/delete all the files off your micro SD card and also reinstalls your EVENT (SOS locked files) and NORMAL (Video and jpegs) directories on your Micro SD card.

Park Mode

When park mode is active(P) letter near the record counter top right the Dash Cam will record instantly when the car is hit with a force this will switch on the device and record for 20 seconds after 20 secs the device will switch off and go to sleep. In this mode the device must have a full charge as it is using the internal battery. 2G sensitive, 4G mid sensitive, 8G least sensitive.

Maintaining the Battery:

To prolong the battery life you must charged your Dash Cam on a 5 volt home charger at least once a week for 2-3 hours with the dash cam off, if you don't use the car daily, for cars that are used daily for more than 1 hour you can charge the Dash cam once every 3 weeks for 2-3 hours.

It is not recommended to power the dash cam with only the battery.

The battery will only run for 15 mins continuously, always use the charger provided.

Formatting Card:

It is advisable to format the card weekly if you have the setting G-sensor and park mode setting active, all footage that are locked in G-sensor and park mode will fill up the card causing it to stop recording any footage.

IR Function:

Press the power button once to switch between night symbol and sun you will see the 2 symbol alienate on the screen night symbol means infrared is ON. The IR is only affective when the Dash Cam is facing in side of the cabin if you want to record you and the passenger. The range of the IR is approximately 1 metre

Lock Footage:

Press and hold M/Lock symbol button on the right side of the display for 3 seconds to activate the lock footage function, this will save any footage from getting erased from the card ,to remove locked footage you must format the card on the device or computer.

Product specifications

CPU	General plus1248+GC1024
Display	1.5-inch LCD screen
Color	Black
Video	AVI
	720P 1280*720 at 30fps
	WVGA 848*480 at 30fps
	VGA 640*480 at 30fps
Picture	12M/10M/8M/5M/3M/2MHD/1.3M/VGA
Picture format	JPG
Viewing Angle	140 degree view angle
Infrared Night Vision	1pc infrared light
Functions	G-Sensor, Loop recording
Parking monitor	Support 2G,4G,8G
OSD Language	English, Russian, Chinese, etc
Audio	Built-in Microphone and speaker
Storage	Micro SD card (4GB included)4GB-32GB Class 10 Max
Input / Output	USB
Battery	200mAh lithium battery
Dimension	6.8*4.5*3.3CM(L*W*H)
Accessories	Car mount, Car charger, User Manual

Technical assistance

If you need assistance setting up or using your Audioline product now or in the future, call Audioline Support.

Australia

TEL: 03 – 8587 8898

FAX: 03 – 8587 8866

Mon-Fri 9am – 5pm AEST



Please retain this user guide for future reference.

If you would like to download a digital copy of this manual, or other Audioline manuals/software, please visit the <https://tdj.com.au/firmware/Audioline/> and search for your model.

This manual is considered correct at time of printing but is subject to change. For latest manuals and updates refer to the website.

Copyright © 2017 by TDJ Australia

All rights reserved. No part of this publication may be reproduced, distributed, or transmitted in any form or by any means, including photocopying, recording, copying or other electronic or mechanical methods, without the prior written permission of the author.

Troubleshooting guide

Under normal operating conditions, if there are problems with the device, please refer to the following methods to resolve.

Cannot take pictures or record video?

Please check whether there is enough space on the micro SD card or internal storage.



Stopping automatically while recording?

Due to the high amount of HD video data being recorded, please use a high-speed Micro SD card. To tell if you have the required high speed card, check if it has the 'Micro SDHC' logo on the SD card and 8GB class 10 or above is recommended. Make sure that your card is labeled Micro SDHC and not Micro SDXC as SDXC cards will not work with this Dash Cam.

Fuzzy/dirty image?

Please check if the lens is filled with dirt or fingerprints and clean carefully. Please clean lens with cloth before shooting.

The DASH CAM is jammed or not responding?

Please reset the device by pushing in the reset button on the underside of the Dash Cam.

Why is the DASH CAM not turning on in the car?

Please check and make sure that there is power in the cigarette lighter socket of your car.

Micro SD card not recognised by DASH CAM?

Format card in the Dash Cam's menu setting's before use.

A coloured tinge showing up in the video?

Make sure to peel off the transparent protective sticker on the front of the Dash Cam's lens.

Safety information & warnings

- Do not use the Dash Cam in damp working conditions; the Dash Cam is not waterproof
- Do not try opening the shell or trying to repair the Dash Cam by yourself. If the accessories for the Dash Cam have any problems, please take it to an authorised repair agent for repair.
- Do not use a chemical substance, cleaning solvent or cleaner to clean the Dash Cam, please use a moist soft cloth if you would like to clean the Dash Cam.
- Do not use the Dash Cam under conditions where dust is present.
- Please pay attention to cleaning the lens surface, use a moist soft cloth to clean the lens before use, to avoid poor video footage.

Infringement of copyright warning

Please note that this product is for personal use only, the method of use shall not violate the goods, or infringe on domestic or international copyright laws. Recorded images are for personal use only, please note that in some cases to use this product to record performances, exhibitions or business activities may infringe the copyright or other legal rights and interests of others.