



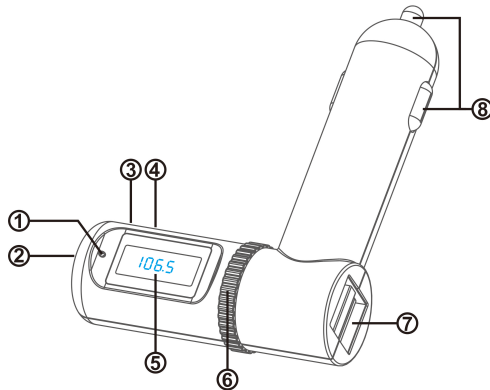
FMT280 Bluetooth Car FM Transmitter User Manual

Thank you for choosing and buying the FMT280 Bluetooth Car FM transmitter. To optimise the performance of the product please read this manual carefully before use.

PRODUCT INTRODUCTION

The FMT280 Car FM transmitter is installed with a high-performance Bluetooth module. It is able to play music from a mobile phone through the car stereo via FM radio transmission. It supports Bluetooth hands-free phone calls and can switch to music automatically once the phone call has ended. You can enjoy music and answer phone calls simultaneously easily using Bluetooth.

PRODUCT PICTURE



1. Mic
2. Play/Pause/Receive/Hang Up/Switch On/off BT(long press)
(FUNCTION BUTTON)
3. Next/FM CH+(long press)
4. Previous/ FM CH-(long press)
5. Digital display
6. Volume wheel +/-
7. Power Indicator/USB Output(5V/2.1A & 5V/1.0A)
8. Contact end (12V-24V)

FEATURES

- Adjust the angle, suitable for different vehicles.
- Support LED display and power on/off by software
- Bluetooth hands-free
- Support music playing via Bluetooth stereo
- CVC technology cancels echo and reduces ambient noise.
- Can power other equipment via 2 USB Ports. Max output 5V/2.1A & 5V/1.0A
- Stereo Bluetooth and FM transmitter
- Automatically power-off memory
- Volume adjustment at 360 degree and pick up calls by separate top button easily
- 360 independent volume control

OPERATION GUIDE

Playing music

Power on by long pressing the function button for three seconds, and power off by long pressing another three seconds.

When switched off, put the device in the cigarette lighter base. Device will power on automatically if there is power being supplied. LED will display 'BT'.

Press CH- and CH+ to play previous and next track. Press the function button to play or pause.

Turn on the car's FM radio and adjust frequency of this device to match the car radio. Music from the device can now be heard from the car stereo. You can adjust the frequency of this device by following the instructions below.

Frequency adjustment

Long press CH-/CH+ to frequency adjustment, LED display will show frequency. Then press CH- and CH+ to adjust frequency from 87.5 to 108MHZ.

Turn the volume wheel button clockwise for volume up & anticlockwise for volume down.

Pairing the Bluetooth and cell phone

Pair the cell phone with the device on first use. Please refer to the user manual of your cell phone for specific details on Bluetooth connectivity.

1. While music is playing long press CH- and music will stop playing.
2. Turn on the Bluetooth hands-free device, and activate your cell phone's Bluetooth function, then search for 'CarKit' on your mobile phone.
3. Select 'Car Kit' device.
4. Enter the password '0000' if it is requested.
5. Select 'Car Kit' from the list on the mobile phone's paired devices, then select 'Hands-free device' from authorised devices if need be.

Additional equipment connections:

The device will only connect automatically when powered on if it has previously been paired.

Attention: Some phones can connect to the device automatically again after a restart however some phones may need to be authorised for each connection. You may set this as an 'Automatic connection' if needed. If you require detailed instructions, please refer to your phone's user manual.

Using Bluetooth hands-free

(When the Bluetooth FM transmitter is on standby or playing music)

Making a call

When connected via Bluetooth, you can dial phone numbers on your phone and the audio will automatically go through the cars speakers.

Answering a call

When connected via Bluetooth and phone has an incoming call, press the function button to answer the call, then press CH- or CH+ to choose the phone private talking mode or Bluetooth hands-free mode, press the function button again to hang up the call.

Reject a call

When there is a call but you don't want to answer it, long press the function button to reject the call.

Play music stored in phone

This device supports A2DP and can play music stored on your mobile phone by transmitting the music to the car audio via the Bluetooth hands-free FM transmitter. This results in higher quality sound.

According to your phone's manual, set the music player of the phone to output via Bluetooth if audio is not playing through Bluetooth. Once it is setup, the cell phone's music will transmit through the Bluetooth FM transmitter and play from the cars radio system.

POWER-OFF MEMORY

When the device is powered off it will automatically memorise the frequency in use and the point where the music has stopped and will resume playing from that point when powered on next time. However, when the storage device have been changed, removed or when errors have been detected, the system will automatically restore to the default settings.

SPECIFICATION

Rated Voltage	12V
Limited voltage	9~26V
USB output	5V/2.1A & 5V/1.0A
Work temperature	0~50 °C
SNR	>60dB
Degree of distortion	<0. 1%
Frequency response	20Hz-15Khz
Left and right channel dB	>60dB
Bluetooth version	Version 2.1
Bluetooth feature	A2DP (Advance Audio Distribution Profile)
Bluetooth Transmit distance	10M
Bluetooth microphone effective range	0.5~2M
FM Transmit frequency	87. 5~108Mhz
Transmit frequency modulation mode	Stereo digital PLL frequency lock

WARNING

- Do not turn the FM transmitter volume too high to avoid voice distortion (normally at 28 or below). Please use the volume on your car audio system if needed.
- Select a pre-set channel without signal interference.
- Operation mode for Bluetooth may be different due to differences from various mobile phones.
- Some models of mobile phone won't connect automatically after powering is off and therefore require pairing again.
- The device is compatible with 95% of the mobile phones in the market, but not all. Please understand this before purchasing this product.
- During a phone call, the volume should be moderate to avoid affecting the other end of the call.
- Do not use the product in dusty, high-humidity or extreme-temperature conditions.
- Prevent the product from falling to avoid damage.
- Do not open the product yourself. Please contact the distributor if you require assistance.
- Data in this manual is subject to alteration without prior notice.
- This device will auto power off if no Bluetooth device is paired

TROUBLE SHOOTING

Device not powering on or nothing displayed when power is on

- Check if contact between the device and cigarette socket is undone, or if cigarette socket is rusty.
- Check if fuse of the device has burned out. If yes, please replace with same fuse.
- Pull out the device from cigarette socket and plug in again.

Playing failure

- Check volume is not set at '0'

Muting noise but no voice

- Check if media player on your phone is on 'PAUSE'.
- Check if volume is on 0 or is low.

Bluetooth hands-free failure

- Check if mobile telephone has been connected with the player.

No sound transmitted to car audio

- Check if the device is in the transmitting state.
- Check if the transmitting frequency is the same with receiving frequency of the car radio.

Noise with transmission

- Check if the pre-set channel has a strong signal; try to change the FM Frequency to a channel without signal interference.

WHATS IN THE BOX

1. FMT280 Bluetooth Car FM Transmitter
2. User Manual

Technical Assistance

If you need assistance setting up or using your Aerpro product now or in the future, call Aerpro Support Australia

TEL: 03 – 8587 8898 FAX: 03 – 8587 8866 Mon-Fri 9am – 5pm AEST
Please retain this user guide for future reference.

