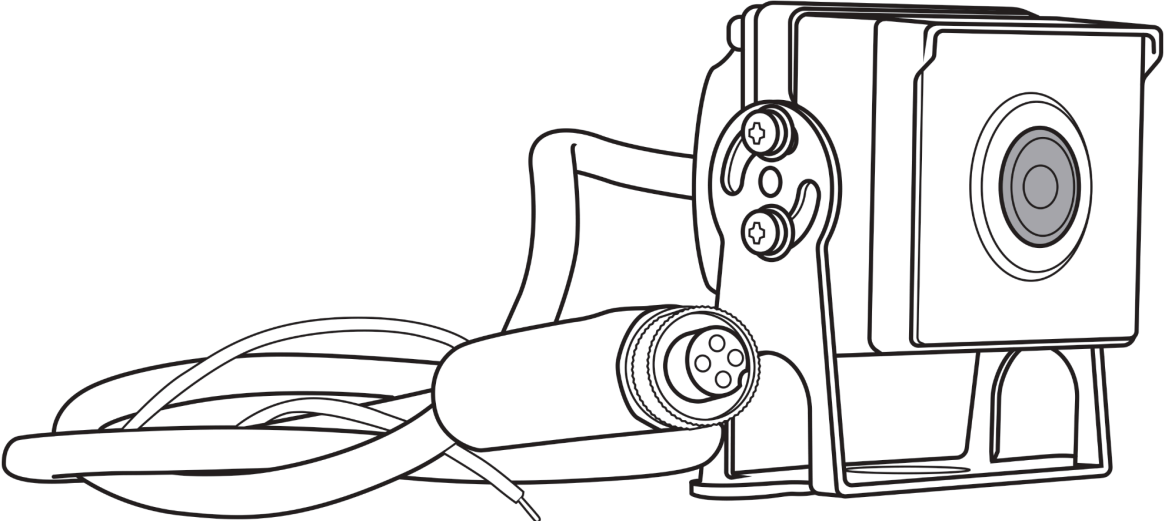




# ADVANCED SAFETY **VISION SYSTEMS**

**AVC13** HEAVY DUTY AHD 1080P REAR RADAR CAMERA

## User Manual



**AHD**

**12/24V**  
COMPATIBLE



# Table of Contents

|  |        |
|--|--------|
| 1. Introduction .....                        | page 2 |
| 2. Product Inclusions .....                  | page 2 |
| 3. Product Specifications .....              | page 3 |
| 4. Installation Guide .....                  | page 3 |
| ○ Safety Precautions .....                   | page 3 |
| ○ Camera Viewing Angle and Orientation ..... | page 4 |
| ○ Camera Placement .....                     | page 4 |
| ○ Wiring Instructions .....                  | page 5 |
| 5. Maintenance and Care .....                | page 5 |
| 6. Troubleshooting .....                     | page 6 |
| 7. Technical Support .....                   | page 7 |
| 8. Warranty and Support .....                | page 8 |

## Introduction

Thank you for choosing the Aerpro AVC13 Heavy Duty AHD 1080p Rear Radar Camera. Aerpro Advanced Safety Vision Cameras are engineered to enhance driving safety by providing clear, high-quality images of the surrounding environment. Designed to minimise blind spots, these cameras improve situational awareness and assist with vehicle manoeuvring.

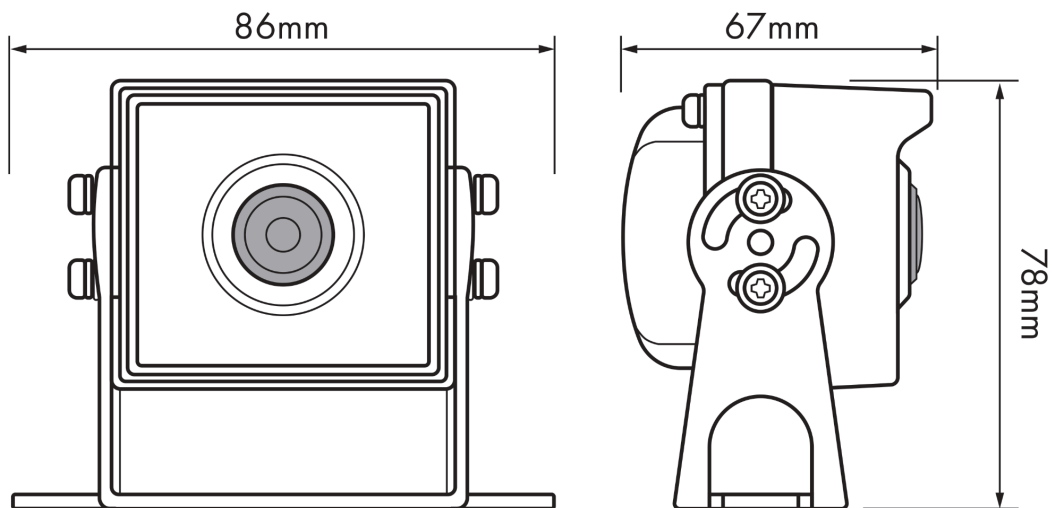
Before installing or using your Aerpro camera, please read this manual carefully to ensure proper setup and operation. Select a suitable mounting location based on your specific application, and before drilling, check for any wiring harnesses, hoses, or pipes behind the panel to prevent damage.

## Product Inclusions

- Heavy Duty AHD 1080p Rear Radar Camera with 50cm Cable (1)
- Double Sided Mounting Tape (1)
- Camera and Speaker Splitter (1)
- Radar Buzzer Speaker (1)
- 10m Extension with Trigger (1)

# Product Specifications

- **Model Number:** AVC13
- **Camera Type:** Heavy Duty Rear Radar Camera (Bracket)
- **Resolution:** 1080p Full AHD (Analog High Definition)
- **Viewing Angle Degree:**
  - Horizontal 150°
  - Vertical 85°
  - Diagonal 170°
- **Night Vision:** Ultra-low light sensor (no IR LEDs)
- **Waterproof Rating:** IP69K (superior water and dust protection)
- **Operating Voltage:** 12V/24V DC
- **Compatibility:** Suitable for various vehicles, including cars, trucks, buses, and more



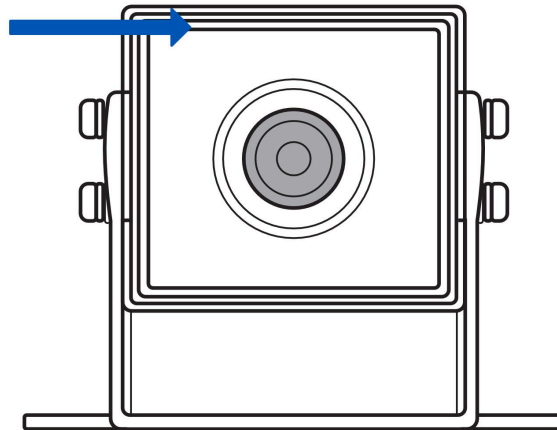
# Installation Guide

## Safety Precautions

- Ensure the vehicle is turned off before installation.
- Avoid installing the camera near high-temperature areas.
- Secure all cables properly to avoid interference with moving parts.

## Camera Viewing Angle and Orientation

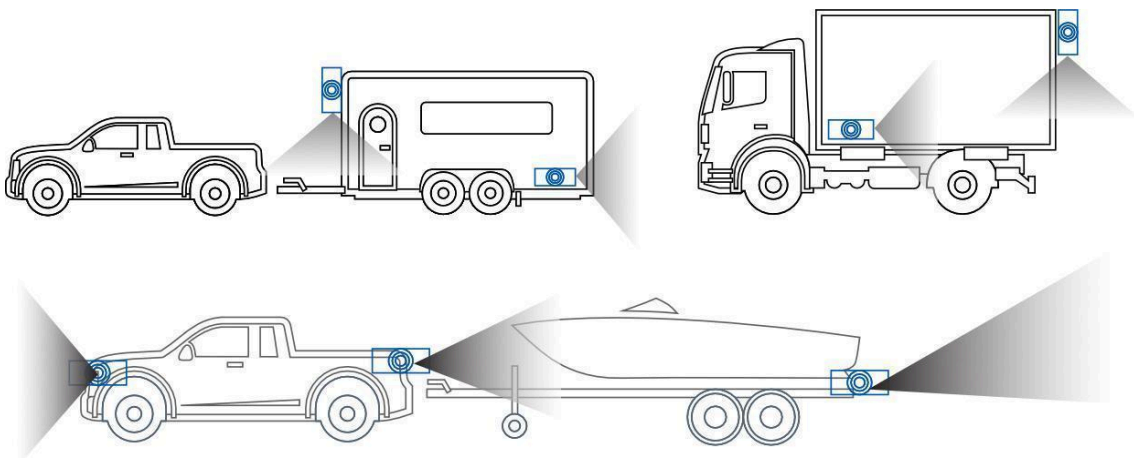
- The camera should be adjusted to provide a **140° (H) viewing angle** for optimal visibility.
- Avoid obstructions that may block the camera's field of view.
- Route cables along the vehicle's existing wire channels, where possible to, prevent damage.
- The correct orientation is determined by positioning the visor towards the sky.



## Camera Placement

- Mount the camera on the side or rear of the vehicle using the included side mount for an optimal view.
- Ensure the camera lens is angled properly to capture a full side or rear view.

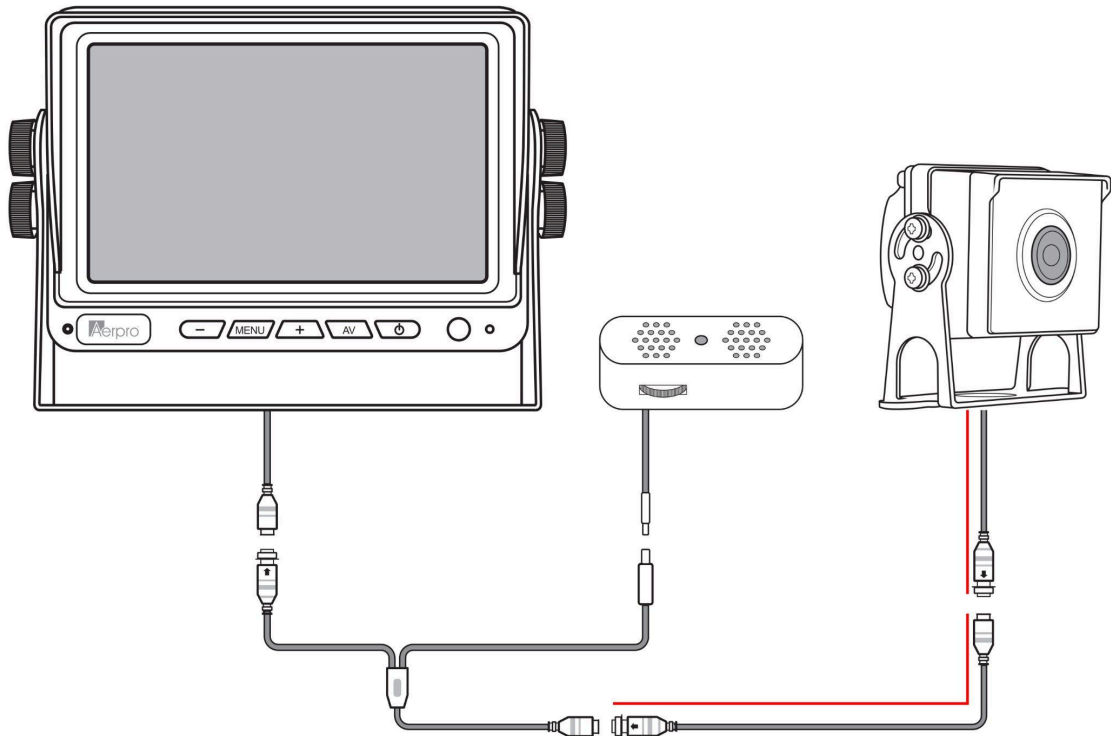
**Note: The correct orientation is determined by positioning the visor towards the sky - refer to Camera Viewing Angle and Orientation above.**



**Note:** Above images are examples of where the camera can be installed.

## Wiring Instructions

1. Connect the power cable to the vehicle's power system (12V or 24V DC).
2. Route the video cable to the dashboard monitor.
3. Secure all connections and test the camera before finalizing installation.
4. Use cable clips to secure the wires and prevent loose connections.
5. Route cables along the vehicle's existing wire channels, where possible to, prevent damage.
6. To change video quality remove the jumper link for 1080p or jumper connect 720p.



**Note:** This camera is supplied as a camera only with a 50cm cable. Extension cables and monitors are sold separately. The following wiring diagram illustrates the complete camera system.

**Note:** Extension cables available AVEC3, AVEC5, AVEC10, AVEC15 and AVEC20.

## Maintenance & Care

- Regularly clean the camera lens for clear visibility.
- Avoid exposing the camera to excessive force or impact.
- Check and secure all wiring connections periodically.

# Troubleshooting

| Issue                         | Possible Cause                                   | Solution                                |
|-------------------------------|--|---|
| No image on the screen        | Loose or disconnected wiring                     | Check and secure all wiring connections |
|                               | No 12volt blown fuse                             | Inspect and replace fuse if necessary   |
|                               | Camera not operating                             | Test with another camera if possible    |
|                               | Malfunctioning display                           | Test display with another input source  |
| Flickering or distorted image | Loose connections                                | Tighten all connections                 |
|                               | Interference from other electronics              | Keep wiring away from high-power cables |
|                               | Low voltage                                      | Check battery and alternator output     |
| Blurry or unclear image       | Dirty camera lens                                | Clean the lens with a microfiber cloth  |
|                               | Condensation inside lens                         | Allow to dry or replace camera          |
|                               | Camera misalignment                              | Adjust camera angle                     |
| Blank screen with guidelines  | No video signal                                  | Check RCA or digital video connection   |
|                               | Defective camera sensor                          | Refer to warranty terms for replacement |
| Camera works intermittently   | Loose or corroded wiring                         | Inspect and repair connections          |
|                               | Weak power supply                                | Test with direct battery connection     |
| No night vision               | IR LEDs not working<br>(Functions only at night) | Refer to warranty terms for replacement |
|                               | Poor ground connection                           | Ensure solid ground wiring              |

# Technical Support



If you need assistance setting up or using your Aerpro product now or in the future, call Aerpro Support Australia.

TEL: 03 – 8587 8898

FAX: 03 – 8587 8866

Mon-Fri 9am – 5pm AEST

Please retain this user guide for future reference.

This manual is considered correct at time of producing but is subject to change. For latest manuals and updates refer to the website: [aerpro.com](http://aerpro.com)

Copyright © 2025 by TDJ Australia

All rights reserved. No part of this publication may be reproduced, distributed, or transmitted in any form or by any means, including photocopying, recording, copying or other electronic or mechanical methods, without the prior written permission of the author.

# Warranty

Our goods come with guarantees that cannot be excluded under the Australian Consumer Law. You are entitled to a replacement or refund for a major failure and for compensation for any other reasonably foreseeable loss or damage. You are also entitled to have the goods repaired or replaced if the goods fail to be of acceptable quality and the failure does not amount to a major failure. This warranty is provided in addition to your rights under the Australian Consumer Law.

TDJ Australia Pty Ltd (Aerpro) warrants that this product is free from defects in material and workmanship for a period of 5 years from the date of purchase. This warranty is only valid where you have used the product in accordance with any recommendations or instructions provided by TDJ Australia Pty Ltd (Aerpro).

This warranty excludes defects resulting from alterations of the product, accident, misuse, abuse or neglect. In order to claim the warranty, you must return the product to the retailer from which it was purchased or if that retailer is part of a National network, a store within that chain, along with satisfactory proof of purchase. The retailer will then return the goods to TDJ Australia Pty Ltd (Aerpro).

TDJ Australia Pty Ltd (Aerpro) will repair, replace or refurbish the product at its discretion. The retailer will contact you when the product is ready for collection. All costs involved in claiming this warranty, including the cost of the retailer sending the product to TDJ Australia Pty Ltd (Aerpro), will be borne by you.

- This product comes with a **5-year limited warranty**.
- For support, visit our website or contact customer service at [service@tdj.com.au](mailto:service@tdj.com.au)

Thank you for choosing the Aerpro AVC13 Heavy Duty AHD 1080P Rear Rader Camera. Drive safely!