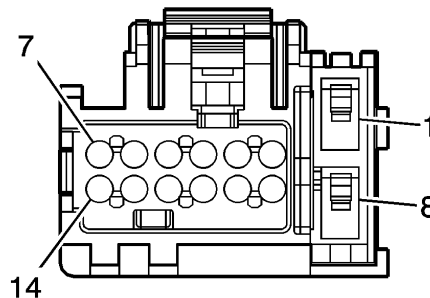




Congratulations, your vehicle will be auto detected by the ASWC-1.

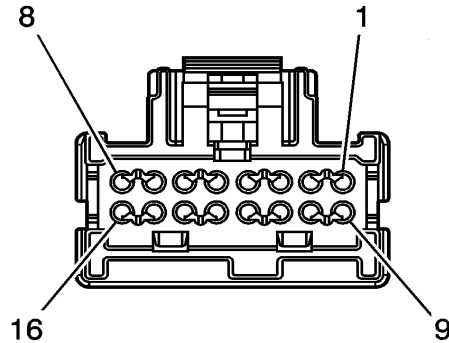
### **ASWC-1 Connections**

- 1) Connect the Black wire of the ASWC-1 to chassis ground.
- 2) Connect the Red wire of the ASWC-1 to a 12-volt accessory wire, one that turns on and off with the ignition key.
- 3) Connect the Black/Green wire of the ASWC-1 to pin 12 of the vehicle. Below is a picture of what the connector in the vehicle looks like:



This is the pin view of the connector in the vehicle

4) Connect pin 12 of the vehicles harness shown below to a 12-volt accessory wire.



5) All other wires on the ASWC-1 please tape up they will not be used.

## Aftermarket Radio Connection

**If you are using an Eclipse or Kenwood radio**, plug the female 3.5mm connector with the Brown and Brown/White wires into the male 3.5mm connector of the ASWC-1 harness.

\* **For Kenwood radios or JVC's with the Blue yellow wire:** Connect the Kenwood/JVC SWC wire (normally Blue/Yellow) to the Brown wire of the ASWC-1. Isolate and tape the Brown/White wire, it will not be used.

**\*\*Some of the newer Kenwood radios will auto detect as a JVC. If this is the case, you can use a 12k ohm resistor (included) in line between the Blue/Yellow and brown wire of the female 3.5mm jack during programming. Or you can manually set the radio type which is in ASWC-1 manual.**

\* **For Eclipse radios:** Connect the Eclipse SWC wires (Normally Brown and Brown/Black) to the Brown and Brown/White wires of the ASWC-1. Brown goes to Brown and Brown/White goes to Brown/Black.

\* **For Parrot Asteroid Smart or Tablet:** Connect the ASWC-1 male 3.5mm jack into the AX-SWC-PARROT (sold separately) female 3.5mm jack and plug the 4 pin end into the corresponding SWC plug on the radio.

\* **For XITE radios:** Connect the steering wheel control SWC-2 wire to the **BROWN** wire of the ASWC-1. Isolate and tape up the **Brown/White** wire, it will not be used.

**For all other radios**, plug in the male 3.5mm connector of the ASWC-1 into the back of the aftermarket radio, designated for an external SWC control interface. Please refer to the aftermarket radios manual if you are in doubt where the 3.5mm connector of the ASWC-1 goes.

Once all connections have been made, plug in the aftermarket radio if not done already.

**\* If this is the first time the ASWC-1 is being installed:**

1) Turn the ignition on; the led will start flashing rapidly which means the ASWC-1 is looking for the vehicle and the radio. Go to step 3.

OR

**\* If the ASWC-1 was installed before:**

1) Turn the ignition on; the led will flash 1 time.

2) Hold down the reset button for more then 2 seconds but less then 10 seconds, the led will start flashing rapidly.

3) Push and hold the Volume Up button.

4) After a couple of seconds the led should stop flashing and not light up for 2 seconds. At this point, do not push any buttons.

5) After the 2 seconds there will be a series of 7 Green flashes, some short and some long.

6) The led will pause for another 2 seconds then flash Red up to 15 times.

7) This is the end of the auto-detection stage. If the ASWC-1 detected the vehicle and the radio successfully, the led will light up solid.

8) For vehicles with OE Bluetooth buttons please press hang up or pick up on your steering wheel control after the LED on the ASWC-1 goes solid. If the OE Bluetooth buttons are able to be used, the LED will go out after three seconds. Your OE Bluetooth buttons are now programmed to your aftermarket radios Bluetooth buttons. (Aftermarket radio must have Bluetooth capabilities)

9) Make sure the steering wheel control buttons function correctly in the vehicle and enjoy your radio.

So what if the led does not light up solid or the steering wheel controls do not function properly? Check out troubleshooting section below.

## **Troubleshooting the Auto-Detect Mode**

So you tried the auto-detect feature and at the end the led did not stay on solid, it started flashing Red slowly, or the steering wheel controls did not function properly. That means the ASWC-1 did not detect the vehicle or the proper radio.

Follow these steps to determine what happened:

First, some basic tips:

- 1) Verify that you have 12-volt accessory and a good chassis ground to the ASWC-1.
- 2) Verify with the vehicle information sheet on the Axxess website that you connected the correct steering wheel control wire(s) in the vehicle to the correct wire(s) on the ASWC-1.
- 3) Verify that the 3.5mm connector is connected to your radio securely and in the correct location.
- 4) If using the female 3.5mm connector on an Eclipse or Kenwood radio, verify that the radio's SWC wire is connected to the correct wire on the ASWC-1.

Once all the information above has been verified and correct, you will need to put the ASWC-1 back into auto-detect mode. Follow the instructions from "**If the ASWC-1 was installed before**" section above, however this time take notice of the led flashes in steps 5 and 6. Here is what the flashes stand for:

### **LED Feedback**

The 1<sup>st</sup> series of Green led flashes represent the wire(s) that are connected to the vehicle from the ASWC-1.

**Short flashes** represent the steering wheel control wire(s) that **ARE NOT connected** to the vehicle

**Long flashes** represent the wire(s) that **ARE connected** to the vehicle

- 1<sup>st</sup> led flash is the White/Green wire on the ASWC-1
- 2<sup>nd</sup> led flash is the Yellow/Green wire on the ASWC-1
- 3<sup>rd</sup> led flash is the Green/Orange wire on the ASWC-1
- 4<sup>th</sup> led flash is the Gray/Red wire on the ASWC-1
- 5<sup>th</sup> led flash is the Black/Green wire on the ASWC-1
- 6<sup>th</sup> led flash is the Gray/Blue wire on the ASWC-1
- 7<sup>th</sup> led flash is the Pink wire on the ASWC-1

If during the auto-detect sequence there was no long Green led flash, just short ones, the ASWC-1 was not connected to the correct wire in the vehicle, or the incorrect wire was used on the ASWC-1. Double check connections and the vehicle information sheet to verify that you have the correct wires connected.

The 2<sup>nd</sup> set of Red led flashes represents what brand radio the ASWC-1 believes it is connected to. Each flash is for a different radio manufacturer. For example if you are installing a JVC radio, the ASWC-1 should blink Red 5 times.

1<sup>st</sup> led flash is for Eclipse

2<sup>nd</sup> led flash is for Kenwood

3<sup>rd</sup> led flash is for Clarion

4<sup>th</sup> led flash is for Sony and Dual

5<sup>th</sup> led flash is for JVC

6<sup>th</sup> led flash is for Pioneer and Jensen

7<sup>th</sup> led flash is for Alpine\*

8<sup>th</sup> led flash is for Visteon

9<sup>th</sup> led flash is for Valor

10<sup>th</sup> led flash is for Clarion 5v

11<sup>th</sup> led flash is for Metra OE

12<sup>th</sup> led flash is for Eclipse type 2

13<sup>th</sup> led flash is for LG

14<sup>th</sup> led flash is for PARROT (*note*: AX-SWC-PARROT required (sold separately), radio **MUST** be updated to rev 2.1.4 or higher and ASWC-1 **MUST** be updated to the latest firmware from [www.axxessinterfaces.com](http://www.axxessinterfaces.com)).

15<sup>th</sup> led flash is for XITE

\* Note: If the ASWC-1 flashes Red 7 times and you do not have an Alpine radio connected to it that means that the ASWC-1 did not see any radio connected. Verify the 3.5mm connector is connected to the SWC input on the radio.