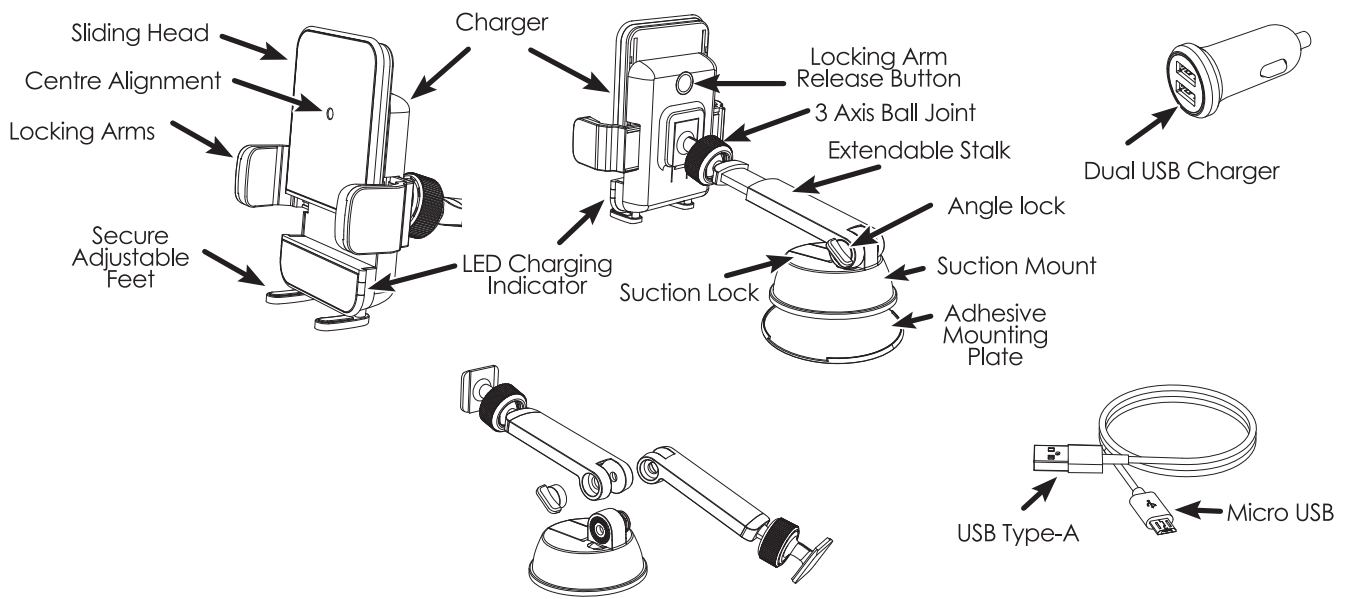


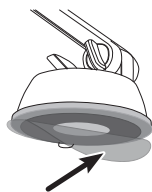
APWHSILD Manual

FEATURES



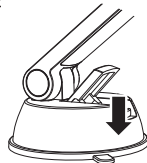
INSTRUCTIONS

1



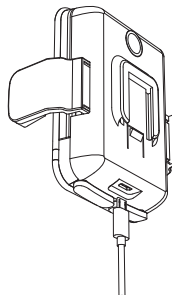
Remove protective cover from 3M suction plate and firmly press to stick to surface

2



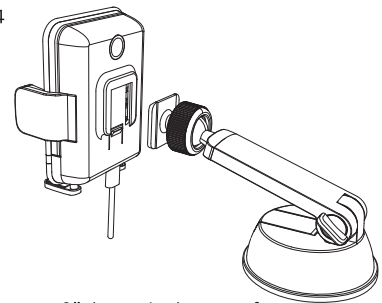
Press down on suction lock to secure to surface. Suction mount directly to glass or use adhesive mounting plate for porous surfaces.

3



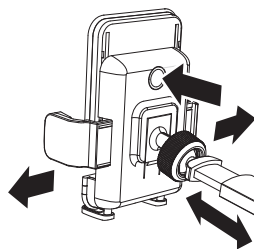
Insert Micro USB end of the cable into the base of the wireless charger and USB Type-A end in to a USB charger

4



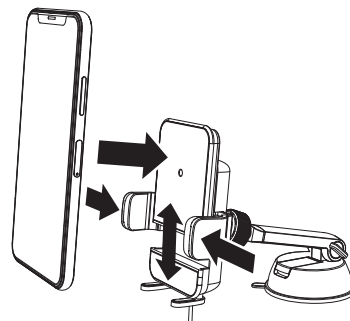
Slide onto base of wireless charger

5



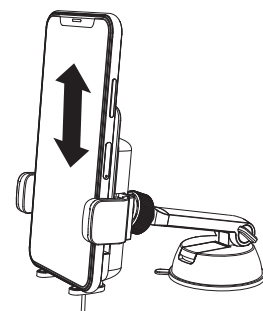
Press locking arm release button to extend arms. The suction mount arm also has a telescopic arm to move the holder closer or further from the mount

6



Place phone in holder and press arms inwards for secure grip on phone. Adjust sliding head to appropriate position. LED charge indicator will turn red while charging. If indicator flashes red, reposition sliding head for better connection.

7



To remove phone release arms and slide phone upwards

APWHSULD Manual

PRODUCT SPECIFICATIONS

Certification	Qi-ID 4456
Output Wattage	5 Watt
Input Voltage	4.75 - 5.25 V
Max Current	1.5A
Input Connector Type	Micro USB
Frequency	87 - 205KHz (Qi Standard 1.2.4)
Protection	Over and Low Voltage
	Over and Low Currency
	Over Heat
	Foreign Object Detection
	Over Distance
Workable Temperature	-10~28°C



Please visit us at
www.aerpro.com

Suitable for all wireless
Qi-enabled devices

TECHNICAL ASSISTANCE

If you need assistance setting up or using your Aerpro product now or in the future, call Aerpro Support Australia.

TEL: 03 – 8587 8898
FAX: 03 – 8587 8866
Mon-Fri 9am – 5pm AEST

Please retain this user guide for future reference.

If you would like to download a digital copy of this manual, or other aerpro manuals/software, please visit the <http://aerpro.com.au> website and click on 'Find things instantly' to search for information on this product.

This manual is considered correct at time of printing but is subject to change. For latest manuals and updates refer to the website.

Copyright © 2017 by TDJ Australia
All rights reserved. No part of this publication may be reproduced, distributed, or transmitted in any form or by any means, including photocopying, recording, copying or other electronic or mechanical methods, without the prior written permission of the author.