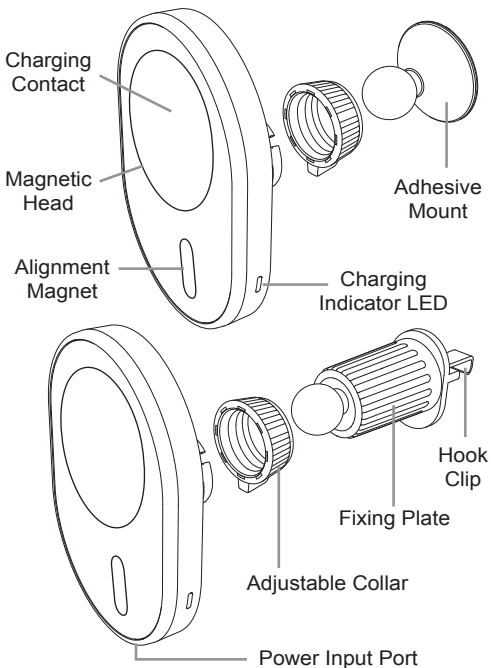


WIRELESS CHARGING DASH & VENT MOUNT MAGNETIC HOLDER

manual



Product Information



Attaching the mount to the holder

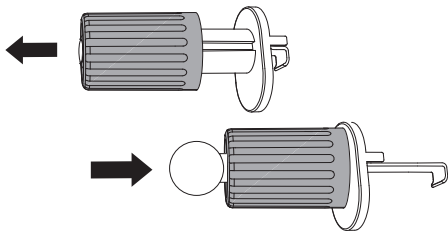
1. Place the adjustable collar over the ball of the mount
2. Press the ball of the mount into the back of the magnetic wireless charging head
3. Move the magnetic wireless charging head to the desired position and tighten the adjustable collar.

Attaching the adhesive mount to a flat surface

1. Clean any oil, debris, or dust on the area where 3M base is to be placed. If possible use an alcohol wipe to help with adhesion.
2. Peel off the protection sheet from the 3M base and stick to chosen area by strongly pressing the base for an extended period of time.
3. The strength of the 3M tape will perform perfectly after 4-5 hours of installation.
4. Do not use the magnetic holder for the above period of time or the mount may become unstuck.

Attaching the hook mount to a vent

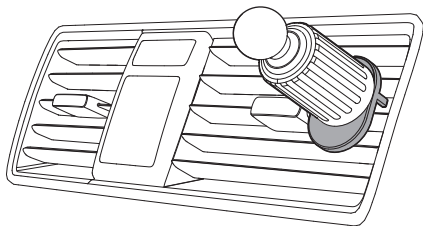
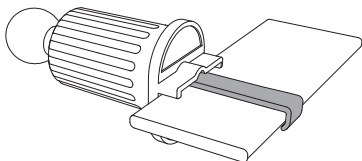
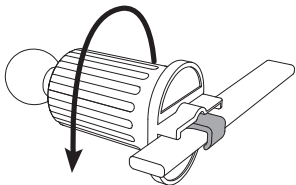
1. Unfasten the hook clip sufficiently by rotating the fixing plate.
2. Insert the hook clip to the center of the vents
3. Rotate the adjustable collar so that the fixing plate tightens against the hook to avoid the presence of any gap between fixing plate and vent.
4. Check if vent clip is fixed firmly and correctly.



*The Vent Mount is designed to be used only
with FLAT air vent blades.



Attaching the hook mount to a vent



Charging your device

1. Connect the supplied USB cable to the power input port of the magnetic wireless charging head
2. Connect opposite end of the supplied USB cable into a USB car charger or USB power adapter (Not Included).
3. The charging indicator LED will turn white. The magnetic wireless charging holder is now ready for your smartphone or device.
4. Placing your smartphone on to the magnetic wireless charging head is made easy by the alignment magnet.
5. With successful alignment the charging indicator LED will turn blue and charging will commence.
6. If the charging indicator LED flashes white and blue there is a problem with the connection. Reposition your smartphone to fix the problem.

CAUTION



1. The magnet used in this product will have no negative impact on the phone. In case of any applications not working correctly, please restart application and slightly adjust the position of where smartphone is mounted.
2. Never mount a smartphone onto holder with a magnetic credit card in the smartphone case.
3. Be careful not to have the magnet be in reach of medical devices.
4. Periodically check the tightness of the hook vent clip to prevent unexpected dropping of phone.
5. When removing your smartphone from the magnetic holder, twist and slide, rather than pulling off directly. This will help protect the vent blades from being removed or damaged due to the extreme strength of the magnets.
6. Do not install the holder where it will obstruct the drivers view.
7. Periodically check the strength of the 3M base.
8. Do not operate phone and holder while driving.

NOTE



1. The car charger or adapter used to power the Wireless Charging Magnetic Holder that outputs the proper voltage is required (Not included).
2. The connected power car charger or adapter used must output DC 5V/2A,9V/2A,12V/2A. Using a charger or adapter with a lower output may result in malfunction or overheating.
3. Charging speed may vary depending on device specifications, input voltage and environment.
5. Phone cases or metal plates for magnetic attachment may interfere with wireless charging.
6. It's normal for the charger and your device to get hot whilst charging. It will get even hotter if the device is also being used while charging. Allow the charger to cool if too hot.

Inclusions

Wireless charging magnetic head

Vent mount

Adhesive mount

Type C USB charging cable

Technical assistance

If you need assistance with your Aerpro product call Aerpro Support Australia.

TEL: 03 – 8587 8898 FAX: 03 – 8587 8866
Mon-Fri 9am – 5pm AEST

This manual is considered correct at time of writing but is subject to change. For latest manuals and updates refer to the website.



www.aerpro.com