

MagMate



APSMVLOK MAGNETIC VENT MOUNT

MANUAL

How to Use Magnetic Holder (Pic1)

1. Put the magnetic plate into the phone case and check the strength of the magnet before attaching the 3M tape. **(Pic1)**

2. Peel off the protection sheet from the 3M double sided tape and stick the plate to the phone case.

Caution



If the phone case is too thick, the magnetic plate can alternatively be placed on outside of the case with the provided 3M tape.

When removing your device from the magnetic holder, twist and slide, rather than pulling off directly. This will help with retaining the grip of the vent clip due to the extreme strength of the magnets.

(Pic1)

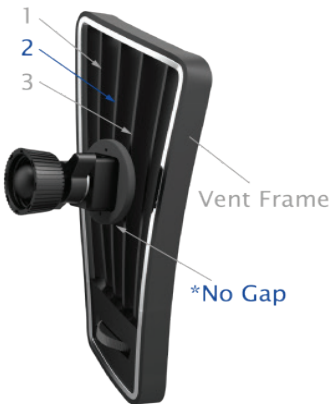
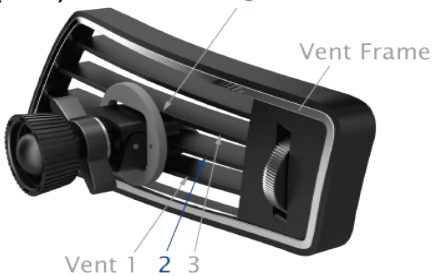


Vent Clip Installation (Pic2)

1. Unfasten clip sufficiently by rotating the clip lever.
2. Insert clip to the center of the 3 vents, vent 2 as shown on **(Pic2)** and attach fixing plate to vent 1 & 3 as shown on **(Pic2)** to avoid shaking while driving.
3. If this way of fixing the clip is not possible, attach fixing plate to the vent frame and insert clip to a suitable vent.
4. Fasten lever whilst pushing clip deeper so as to avoid the presence of any gap between fixing plate and vent.
5. Check if vent clip is fixed firmly and correctly.
6. If the fixing plate is not required, unfasten clip lever and remove fixing plate.

(Pic2)

***No Gap between
Fixing Plate and Vent**



Caution



1. The magnet used in this product will have no negative impact on the phone. In case of any applications not working correctly, please restart application and slightly adjust position of where phone is mounted.
2. Never mount phone onto holder with a magnetic credit card in the phone case.
3. Be careful not to have the magnet be in reach of medical devices.
4. Periodically check the tightness of the vent clip to prevent unexpected dropping of phone.
5. Do not operate phone and holder while driving.
6. Do not install the holder where it will obstruct the drivers view.

Technical Assistance

If you need assistance setting up or using your Aerpro product now or in the future, call Aerpro Support Australia.

TEL: 03 – 8587 8898

FAX: 03 – 8587 8866

Mon-Fri 9am – 5pm AEST

Please retain this manual for future reference.

If you would like to download a digital copy of this manual, or other aerpro manuals/software, please visit the <http://aerpro.com.au> website and click on 'Find things instantly' to search for information on this product.

This manual is considered correct at time of printing but is subject to change. For latest manuals and updates refer to the website.

Copyright © 2017 by TDJ Australia



Please visit us at
www.aerpro.com