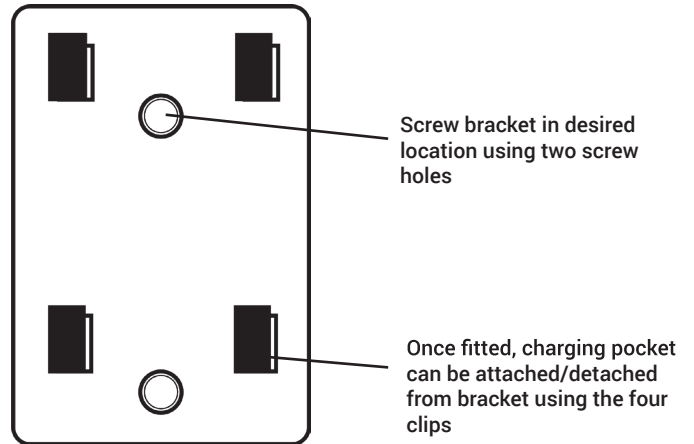


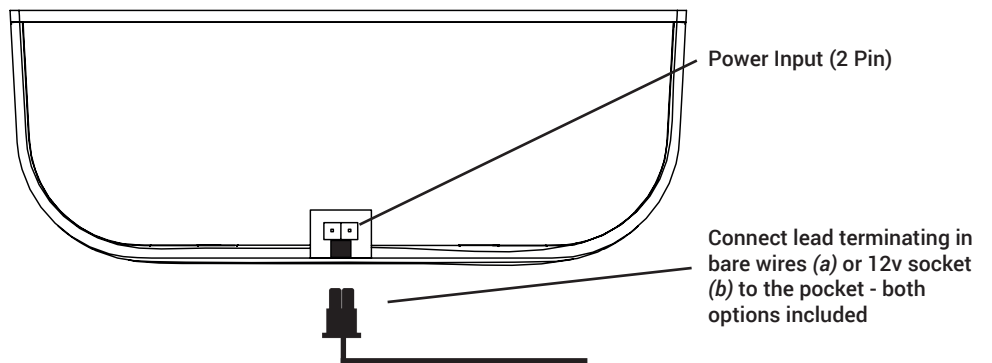
1
Mounting Location

Mounting Bracket



2
Power Connection (To Pocket)

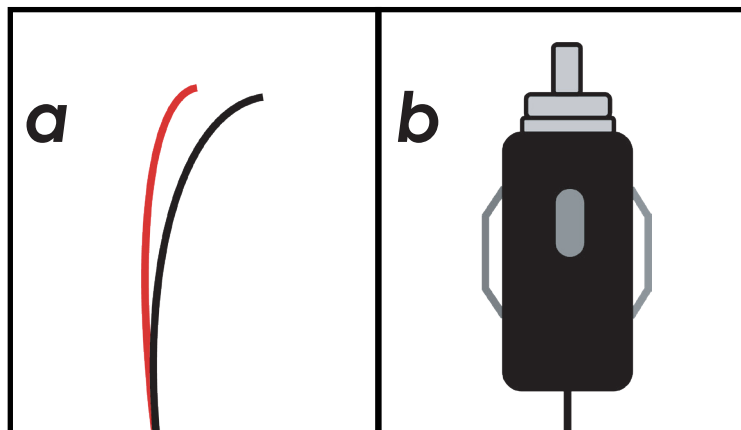
Pocket - Bottom View



Note: Ensure vehicle ignition is off when connecting the product to the vehicle

3
Power Connection (To Vehicle)

a or b



Red = Connect to Vehicle 12V Switched Ignition
Black = Connect to Ground

DISCLAIMER

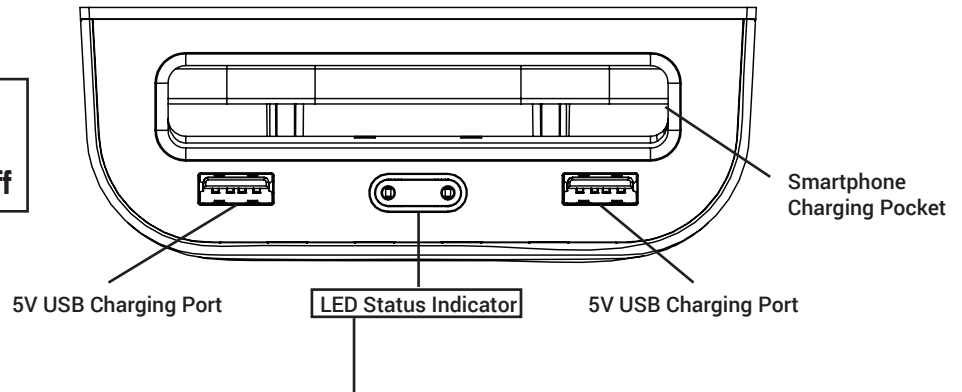
The information provided in this document is subject to change without notice due to manufacturer changes and/or improvements to the product/s. This instruction manual is based on documented data and research. The manufacturer of this product cannot be held responsible for any changes made to the vehicle by the manufacturer or damages that may occur through the installation of this product in accordance with the steps outlined herein.

4

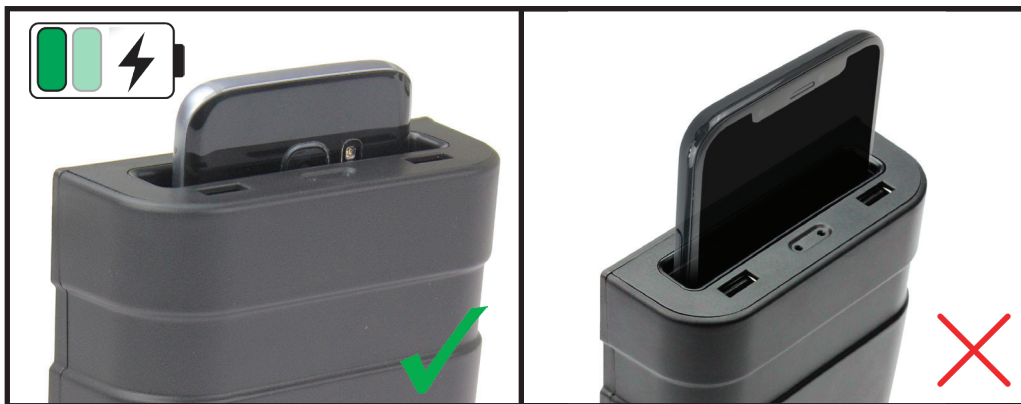
Charging Overview

Standby - Red LED On
Charging - Blue LED On
Full Charge - Both LEDs Off

Pocket - Top View



Note: Place smartphone in pocket with screen facing away from LED Status Indicator to charge.



DISCLAIMER

The information provided in this document is subject to change without notice due to manufacturer changes and/or improvements to the product/s. This instruction manual is based on documented data and research. The manufacturer of this product cannot be held responsible for any changes made to the vehicle by the manufacturer or damages that may occur through the installation of this product in accordance with the steps outlined herein.