

**ON-ROAD/OFF-ROAD NAVIGATION MODULE**




## Introduction

This Quick Start Guide provides instructions on how to connect the AMHXD3 On-Road / Off-Road Navigation Module to your head unit. For instructions on how to operate the AMHXD3 and Hema Maps Navigation Application, please refer to the User Manual which can be downloaded from the AMHXD3 product page on the Aerpro website. Scan the QR below or visit [aerpro.com/AMHXD3](http://aerpro.com/AMHXD3)




The AMHXD3 has been optimised specifically for selected Aerpro head units. It is also compatible with various factory & aftermarket head units. Refer to the product page on our website for compatibility. Here you can download a digital User Manual with more information for aftermarket headunits. It is important that you follow the connection procedures to ensure that you do not have any connections issues with the AMHXD3 and your head unit.

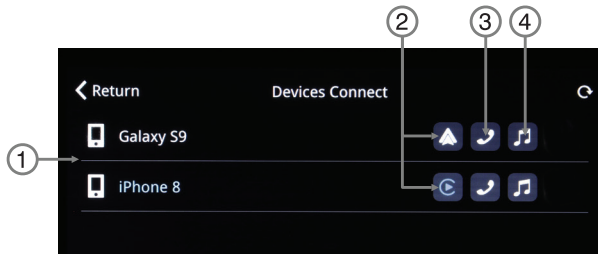
 **CAUTION: Do not use the factory reset in the AMHXD3 settings menu as this will remove Hema Maps and all of your saved information. If you experience any issues with the AMHXD3, disconnect and then reconnect the device from the head unit.**

## Procedure

**IMPORTANT: You must disconnect any devices currently connected to the head unit before connecting the AMHXD3 to the head unit.**

This procedure must be completed each time the AMHXD3 is used, these steps may vary slightly depending on your head unit.

1. Turn on the head unit in the vehicle.
2. Touch the  icon to access the 'Devices Connected' screen.
3. Disconnect any devices currently connected to the head unit by simply tapping the highlighted (coloured) icons to toggle them off (see image below).



1. Connected device

2. Android Auto/CarPlay icon

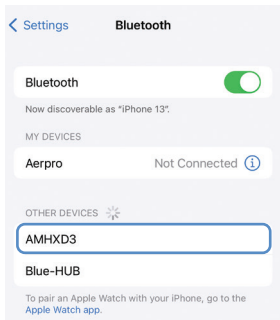
3. Bluetooth phone

4. Bluetooth music

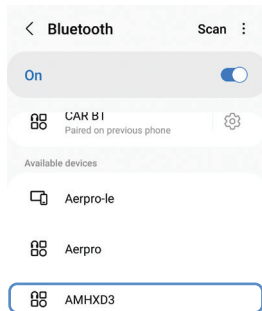
## Procedure

4. Connect the AMHXD3 to the USB port labelled 'CarPlay / Android Auto' on your head unit.
5. The AMHXD3 will automatically power on and you will be presented with the home screen (see Page 6 User Interface).
6. For first time connection to the AMHXD3, navigate to your phones Bluetooth settings and select AMHXD3. Your phone will now automatically connect the AMHXD3 the next time you plug the device into the head unit, as long as you have followed this procedure.

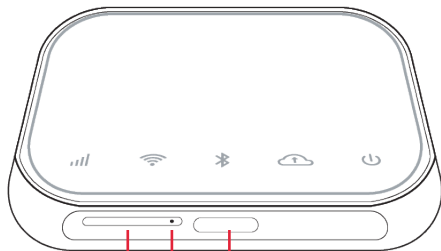
### Apple Devices



### Android Devices



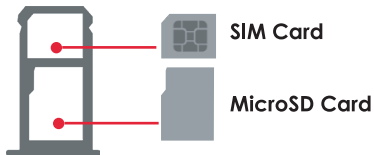
# Interface



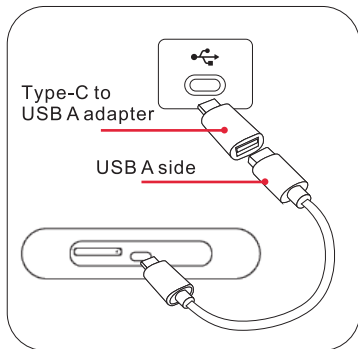
SIM card Slot  
MicroSD Card Slot

USB Type-C Port

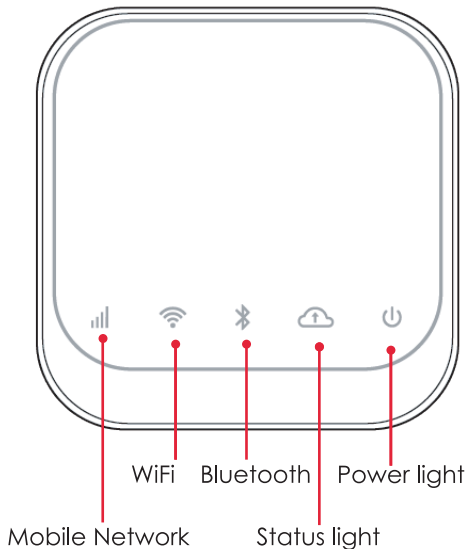
Use included Tray Removal Pin to open



**Note:** If your vehicle uses a TYPE-C connection, use the included adapter (See picture)



## LED Indicators

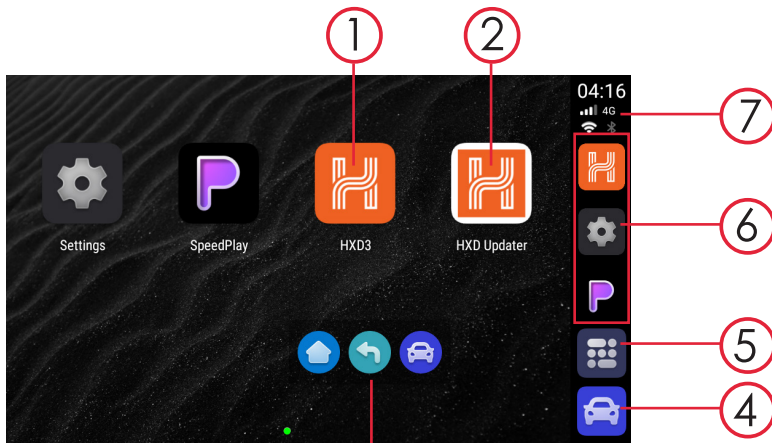


The LED indicator lights will illuminate when in active.

Power light stays on when powered.

Status light flashing indicates the device is working.

# AMHXD3 User Interface



1. Hema HXD3 App
2. HXD3 Updater
3. Assistive Touch Bar (Home/Back/Exit)

4. Exit to Headunit
5. Show Apps
6. Recently used Apps
7. Connectivity

## Hema Maps AMHXD3 Module

The Hema Maps application provides offline Turn By Turn Navigation and Off Road mapping, additional functionality and map updates are available when connecting your AMHXD3 to the internet.

Please download the full manual for the AMHXD3 from the Aerpro website or scan the QR code on page 1 for product information and video guides.

## What's Included

- AMHXD3 Hema Maps Add-on Module
- Type C to Type A USB Cable
- USB 3.1 Gen 1 Type C to Female Type A USB Adapter
- Micro SD/SIM Card Tray Removal Pin
- Quick Start Guide



## Specifications



**Memory:** 4GB RAM + 64GB ROM



**Internal Storage:** 64GB Internal Storage



**Expandable Memory:** Micro SD card (up to 128GB)



**SIM Card Support:**

4G LTE-FDD & LTE-TDD (Band 1/ 3/5/7/8/20/28/38/40/41)



**WiFi:** 802.11a/b/g/n/ac 2.4Ghz & 5Ghz Dual-Band



**Power Input:** USB 5V



**GNSS:** Built-in GPS, GLONASS, Beidou



**Operating Temperature:** -30-75°C



**Dimensions:** 82\*80\*14.5 mm



**Weight:** 74g

## Technical Assistance

If you need assistance setting up or using your Aerpro product now or in the future, call Aerpro Support Australia TEL: 03 – 8587 8898 FAX: 03 – 8587 8866 Mon-Fri 9am – 5pm AEST

If you would like to download a digital copy of this manual, or other Aerpro manuals/software, please visit the <http://aerpro.com> website. This manual is considered correct at time of printing but is subject to change. For latest manuals and updates refer to the website.

**AERPRO.COM**



© Hema Maps 2022. Copyright. Hema Maps® is a trademark of Hema Maps PTY LTD.

HERE® is a trademark of Here Technologies LLC.

Apple and Apple CarPlay are trademarks of Apple Inc., registered in the U.S. and other countries.

Android Auto is a trademark of Google Inc.

Other trademarks and trade names are those of their respective owners.

Design and specifications are subject to change without notice.

Use of the Hema Maps Software and Hema Maps Cloud on this device are subject to terms, conditions and licence agreements. For full details, please refer to the AMHXD3 User Manual which can be downloaded from the Aerpro website via the web address and QR code found on page 1 of this Quick Start Guide.

