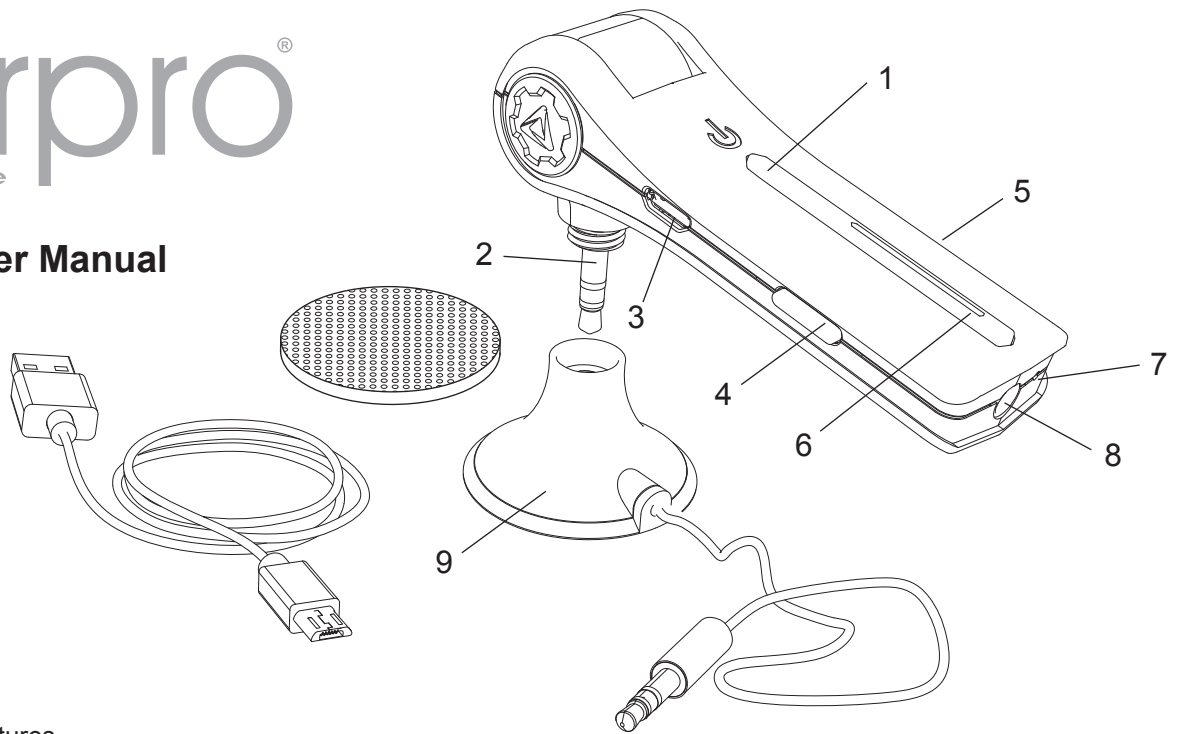


ABT511 User Manual



Specifications and features

[Bluetooth]	
Name	ABT511
Version	Version 4.1
Profile	HFPV1.6 HSPV1.2 A2DPV1.2 AVRCPV1.4
Frequency Range	2.4~2.48GHZ

[Rechargeable Battery]	
Capacity	500mA/DC5V
Charging Time	2.5 hours for full charging
Standby Time	Up to 200 hours
Playing Time	Up to 6 hours
Operating distance	Maximum up to 10 Metres

How to operate

NO.	Name	Function	Operation
1	Main Switch	Power ON/OFF	Long press more than 3 seconds for Power on and off
		Accept and Quit Incoming Phone Call	Short press to accept and quit incoming phone call
		Reject Incoming Phone Call	Short press twice to reject incoming phone call
		Play and Pause Music	Short press to pause and play music
2	Line out	Stereo Signal Out	Connect to 3.5 Aux line in on the head unit in the car/home stereo
3	Micro USB Port	Charging ABT511	Connect micro USB cable provided to charge ABT511
4	Volume+	Volume up	Repeatedly press for volume up. Long press for volume Max.
5	Volume -	Volume down	Repeatedly press for volume down. Long press for volume Min.
6	Signal LED	Indicate the status of ABT511	White LED Fast Blinking : Standby Bluetooth pairing
			White LED Slow Blinking : Paired Bluetooth
			White LED Steady On : Connected to another device through Line In
			Green LED On : Charging via connected power cable
7	Microphone	Microphone for phone call	
8	Line In	Connect another device	To connect another device applied 3.5 Aux jack
9	Cable Extension Base	Connect ABT511	Extend Aux cable and install ABT511 at desired part of the vehicle

Notes:

- When the charging cable is connected, the ABT511 automatically powers off. In this case restart and pair the Bluetooth again.
- The Green LED automatically turns off after full charge.
- When another device is connected to the Line in, Bluetooth pairing automatically stops.
- The ABT511 is always in discovery mode, search on your phone to automatically connect via Bluetooth
- The unit will turn off and unpair to save battery power if inactive for more than 10 minutes

Technical assistance:

If you need assistance setting up or using your Aerpro product now or in the future, call Aerpro Support Australia.

TEL: 03 – 8587 8898 / FAX: 03 – 8587 8866 Mon-Fri 9am – 5pm AEST. Please retain this user guide for future reference.

